

EXAMTOPICS

- Expert Verified, Online, **Free**.



CERTIFICATION TEST

- [CertificationTest.net](https://www.CertificationTest.net) - Cheap & Quality Resources With Best Support

Please read this scenario prior to answering the question

ArchiSurance has decided to leverage its financial expertise by offering defined contribution retirement plans. Each trading day, ArchiSurance submits consolidated mutual fund trading transactions to a stock exchange on behalf of its retirement plan participants.

The daily mutual fund trading cycle consists of four key processes: Transaction capture, pricing, trading and reconciliation. Transaction capture consists of two sub-processes: manual exchange and loans and distributions (L&D). For transaction capture, retirement plan participants use an online account management application to enter manual fund exchange transactions. For L&D, plan participants use a separate application to enter requests. The L&D application determines whether the request can be fulfilled based on the mutual fund balances held in each plan balances and a set of business rules. Each day's captured manual exchange transactions accumulate in a transaction database.

ArchiSurance contracts with a third-party information service to receive a file of mutual fund prices at the close of each trading day. The pricing application uses this file to convert captured transaction into trades, and then validates each trade against the mutual fund balances held in each plan. The pricing application generates a trade file with the minimum number of trades necessary. The trading application sends this file to an external trading service. When the trading application receives a confirmation file back from the trading service, it passes it to the reconciliation application, which updates the plan recordkeeping database.

The lead application Architect has decided to merge the pricing application, the trading application and the reconciliation application into one application, which will be serving the pricing, trading and reconciliation processes respectively. The reason for this is that maintenance costs for these three components are too high and the performance is too slow. This implementation will increase the performance and lower the maintenance cost significantly.

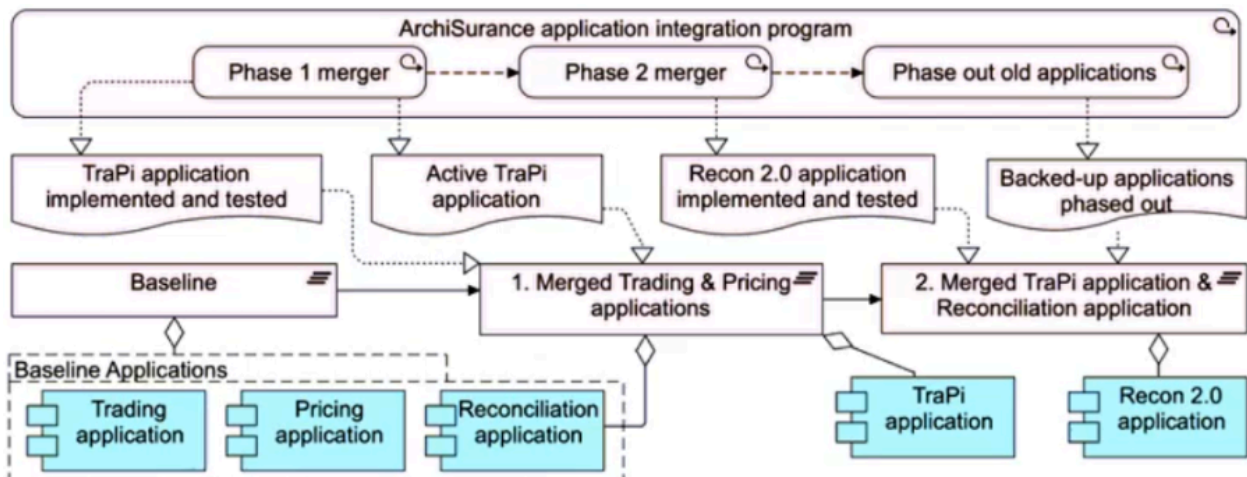
The CIO has agreed on this plan, but wants this to be done in two phases, each in a separate project. Phase 1 should include the merger of the Trading and Pricing applications. Phase 2 should then merge the merged applications with the Reconciliation application respectively. Each project phase has a number of defined deliverables. Phase 1 has two deliverables, 'TraPri application implemented and tested' and 'Active TraPri application', which together form a first transition architecture. Phase 2 has two deliverables, 'Recon 2.0 application implemented and tested' and 'Back-up applications phased out', which together form the second transition architecture. These two projects are part of the ArchiSurance application integration program scheduled for the next 6 months.

Refer to the Scenario -

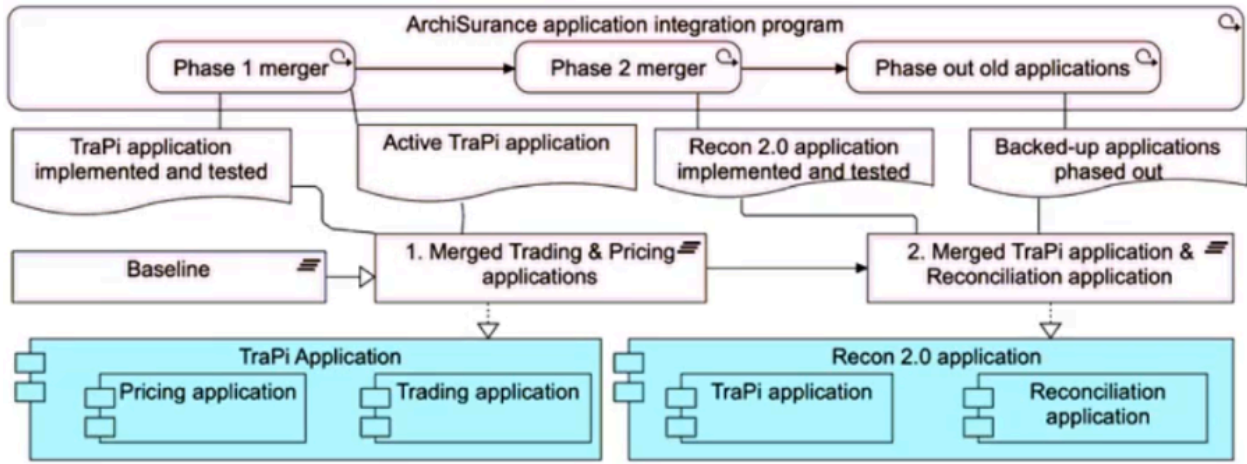
You have been asked by the lead application architect to show how the applications used for daily trading can be migrated. This should include a description of the work packages, deliverables and transition architectures.

Which of the following answers best describes the applications and migration plan?

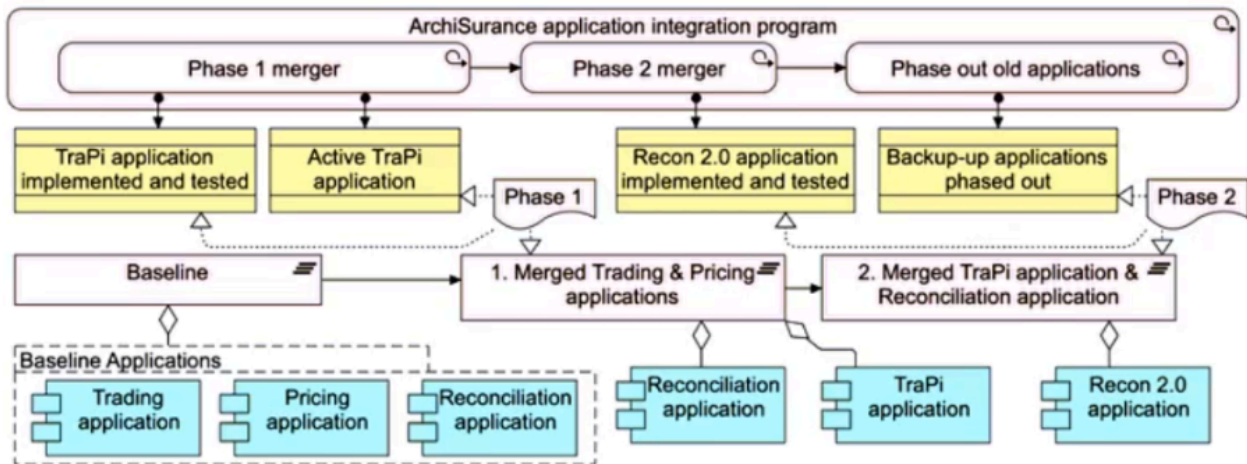
A.



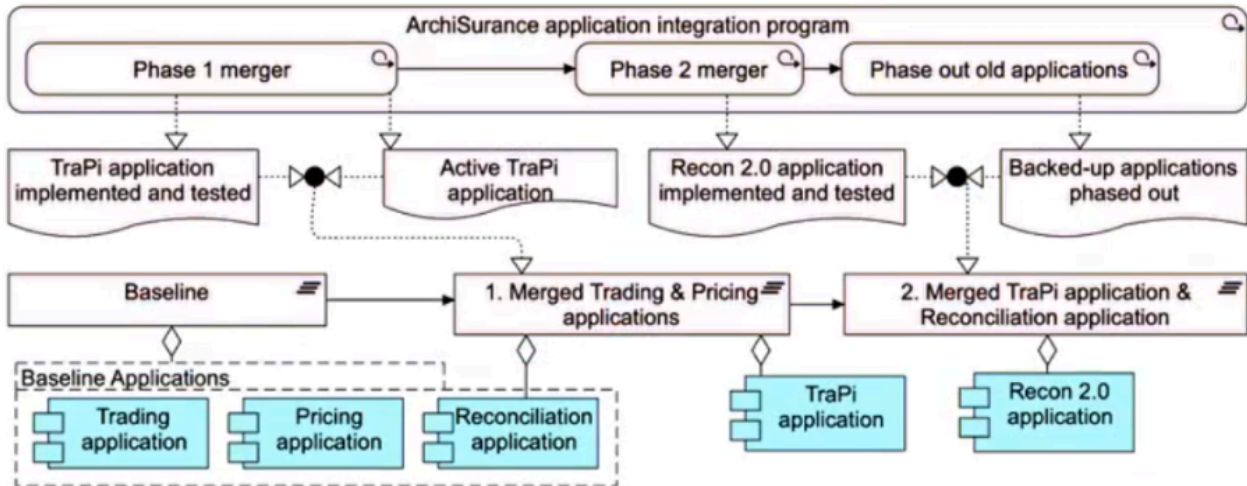
B.



C.



D.



Suggested Answer: A

Currently there are no comments in this discussion, be the first to comment!

Please read this scenario prior to answering the question

ArchiCar has been a market leader in the premium priced luxury car sector for the last decade. Its product leadership strategy has brought superior products to market, and enabled ArchiCar to achieve premium prices for its cars. This strategy has been widely successful in the past, but recently competitors have been offering comparable products and taking significant market share. The governing board of ArchiCar has identified opportunities in emerging markets where the ArchiCar brand is associated with luxury and high performance products, but is thought to be too expensive for mass-market success. Based on this assessment, the board has made the decision to setup a subsidiary company to mass-produce affordable cars locally. This will be achieved by focusing on a strategy of operational excellence. Such a strategy is ideal for such markets where customers value cost over other factors.

To facilitate this strategic transformation, the project has been divided into multiple phases within a five-year program. The initial phase, known as "Achieving Operational Excellence," is underway. The engineering team has begun devising an action plan to drive the necessary changes and outlining the technological conditions that must be met. The product architect has identified three current capabilities - industry-leading engineering, high-quality materials sourcing, and cutting-edge focussed R&D - along with their contributions to the new production philosophy. Moving forward, it has been determined that two out of the three current capabilities require revision. Materials sourcing needs to be adjusted to meet optimization demands, and R&D targets must align with future goals to enable affordable production. Additionally, process engineering is introduced as a fourth capability to shift the company's focus from products to a process-oriented approach.

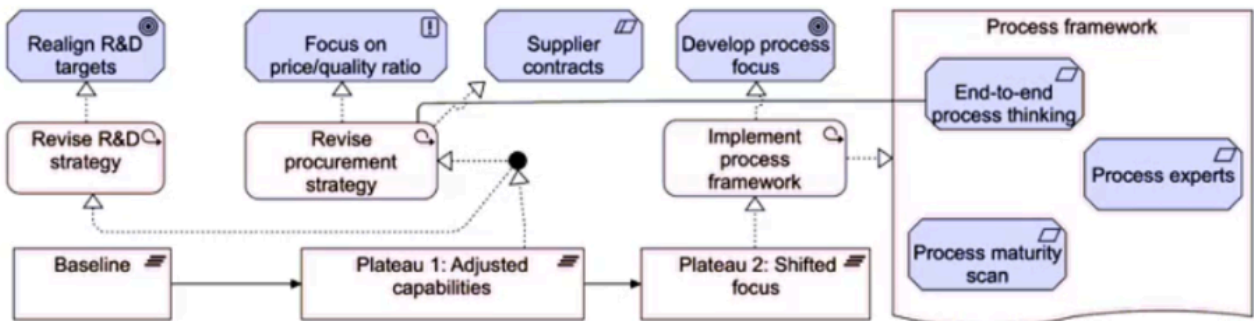
The Enterprise Architecture team has been tasked with migration planning, and identifying key work packages and deliverables. They have identified two transition states between the current and future scenario. The first transition aims to adjust current capabilities, including revising the R&D approach and procurement strategy. The second transition aims to shift from a product-centric mindset to a process-focused approach and adjust materials sourcing accordingly. It is important to consider existing supplier contracts that cannot be immediately canceled during this process.

Refer to the Scenario -

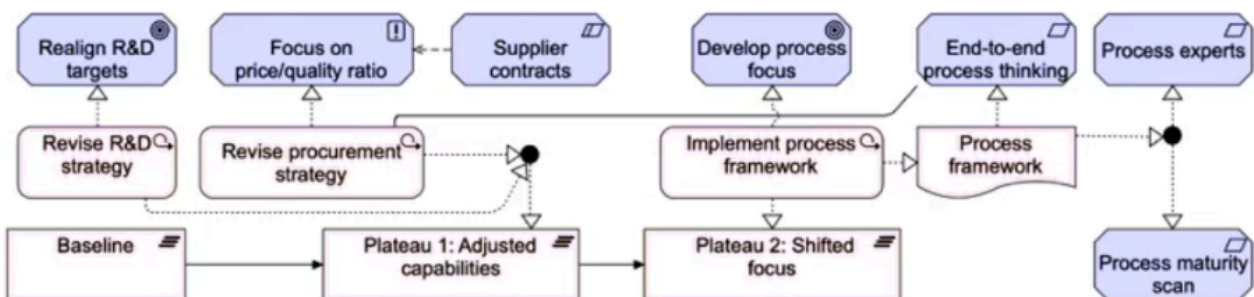
You have been asked to model parts of the overall scenario, including migration planning, the motivations driving the migration, and the work packages necessary to achieve the desired deliverables.

Which of the following answers best describes the scenario?

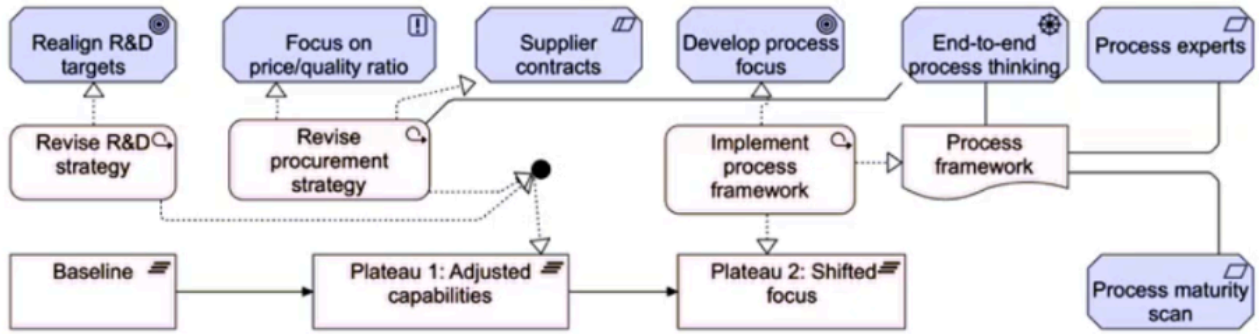
A.



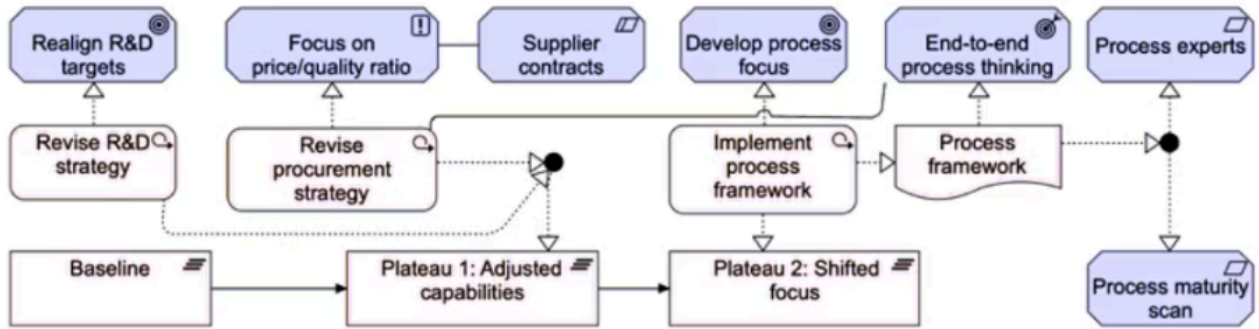
B.



C.



D.



Suggested Answer: A

Currently there are no comments in this discussion, be the first to comment!

Please read this scenario prior to answering the question

The ArchiSurance enterprise document management solution plays a crucial role in supporting a large number of document types and managing a high volume of document-based transactions each day. Given its business-critical nature, the document management solution is hosted redundantly across two geographically separate data center sites: Site A and Site B. Both sites are configured identically to ensure seamless operations.

Each site has a highly available data center network (DCN) that connects to the resilient ArchiSurance wide area network (WAN). Each claim management server is connected to its respective site's DCN, forming a converged network that interconnects servers and storage arrays. A dedicated physical storage array is allocated to the claim management application within each DCN. Additionally, each site houses four powerful physical servers exclusively dedicated to the claim management application. Among these servers, one remains on standby at any given time, while the other three take on specific roles in hosting the document, workflow, and application engines.

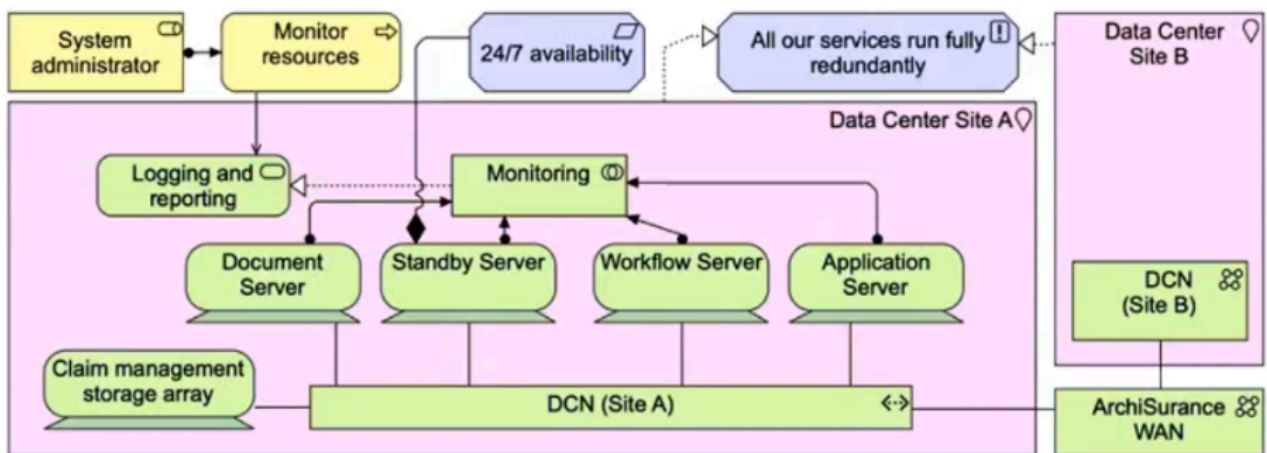
The standby server is responsible for monitoring the behavior of the other servers, providing a logging and reporting service. The active servers regularly transmit data to facilitate this monitoring functionality. In the event of a server failure, the standby server steps in to perform resource reallocation, replacing the faulty server. However, this task requires manual intervention from a system administrator to reconfigure the logging and reporting service to adapt to the new environment.

Refer to the Scenario -

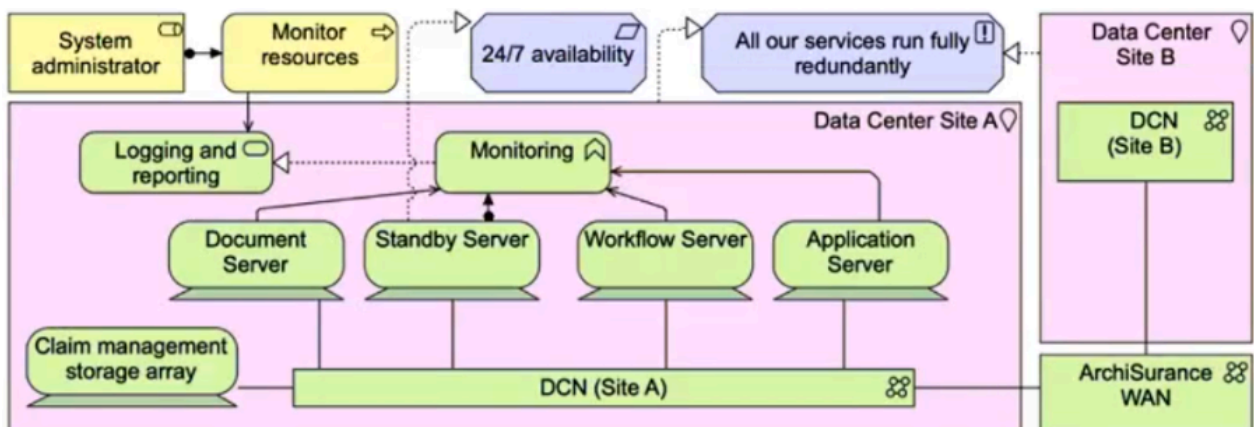
The IT manager has asked you to model the hardware and networks that support the document management solution. This includes capturing the infrastructure components such as data center sites, servers, storage, and networks. Additionally, you are expected to outline the necessary functionality and services required to enable failover within a server cluster. Given that both data centers share an identical configuration, it is sufficient for Site B to only show the associated networking.

Which of the following is the best answer?

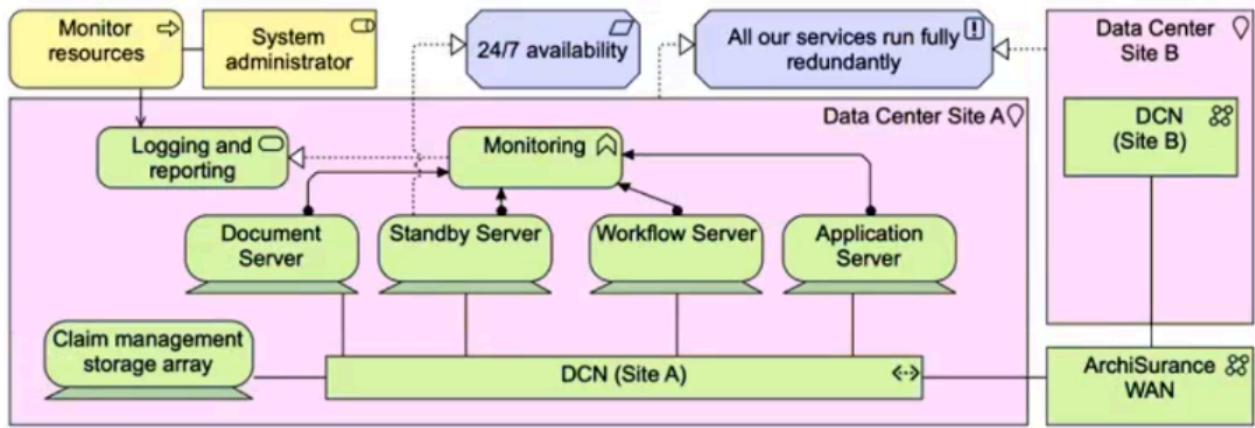
A.



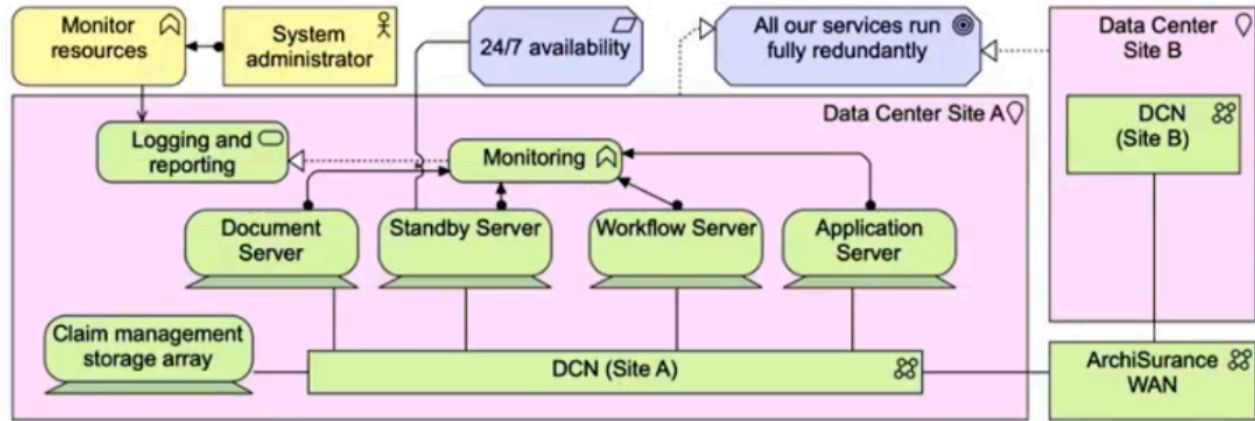
B.



C.



D.



Suggested Answer: D

Currently there are no comments in this discussion, be the first to comment!

Please read this scenario prior to answering the question

ArchiCar is a specialized company that focuses on manufacturing luxury electric cars and powertrain components, along with producing battery-charging equipment. With its own distribution network and showrooms, ArchiCar adopts a direct-to-customer sales model through online channels.

The manufacturing of ArchiCar's electric cars is carried out on fully automated assembly lines. Leveraging a cutting-edge manufacturing process, the company boasts an impressive ability to sell and deliver a vehicle within just one month from the time of order placement. Anticipating significant growth, the CEO has set ambitious plans to increase annual production from 100,000 to 500,000 vehicles within a three-year timeframe.

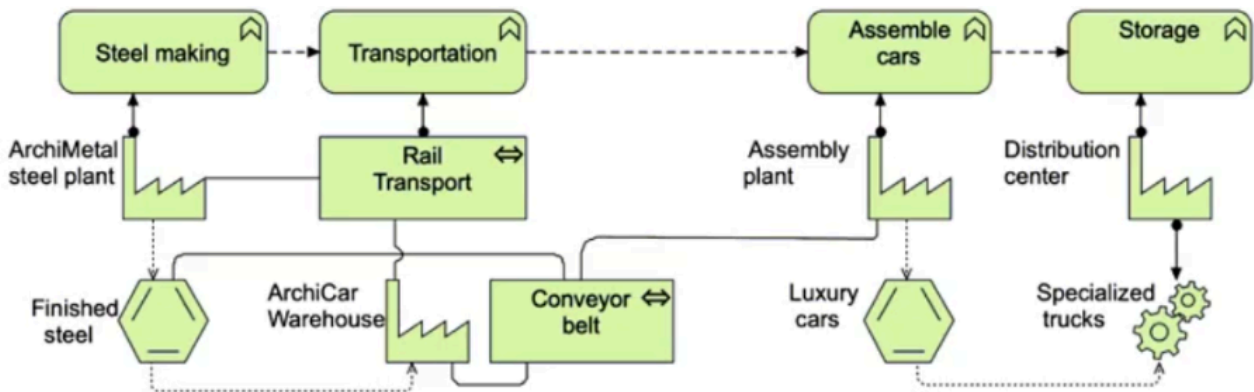
To ensure the highest quality standards, ArchiCar relies on locally manufactured finished steel from the renowned ArchiMetal plant. ArchiMetal specializes in lightweight steels that allow ArchiCar to achieve a reduced vehicle weight without compromising strength and crash performance. The finished steel is efficiently transported by rail to ArchiCar's production plant, where it is stored in a dedicated warehouse until required for the automated car assembly process. Conveyor belts facilitate the seamless transfer of the finished steel from the warehouse to the assembly plant. At the ArchiCar assembly plant, an optimized and streamlined assembly process is implemented, resulting in the production of 12 vehicles per hour. Once assembled, the cars are transported to a nearby distribution center using specialized trucks. These vehicles are then stored at the distribution center until they are ready for delivery to their eagerly awaiting new owners.

Refer to the Scenario -

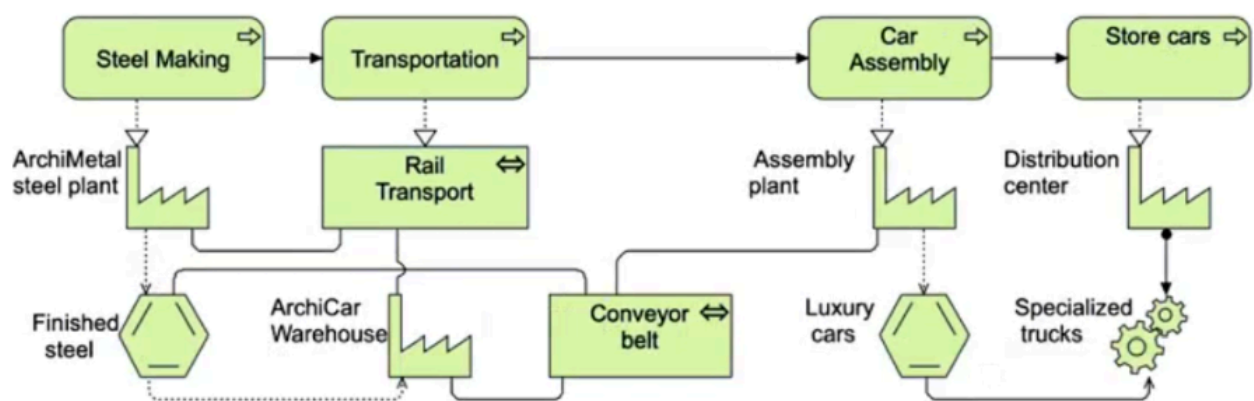
You are a consultant to the CIO. She has asked you to illustrate the end-to-end technology processes at ArchiCar from raw materials to assembled cars ready for delivery.

Which of the following answers provides the best description?

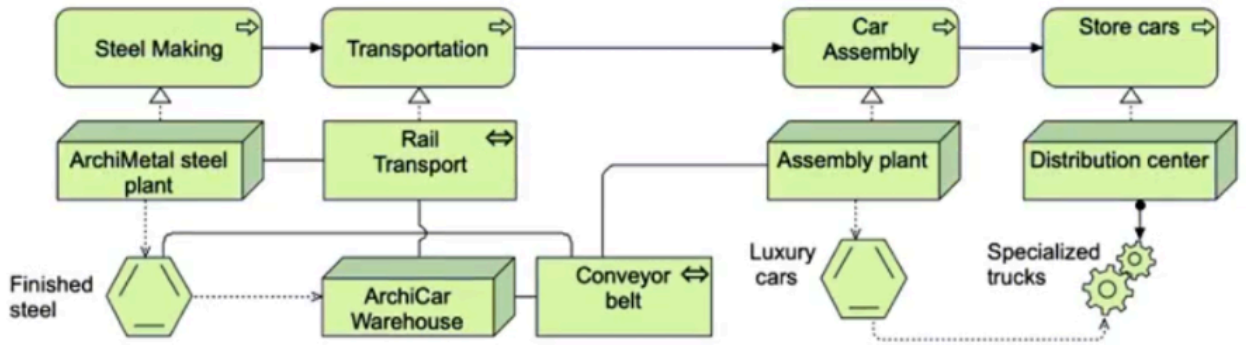
A.



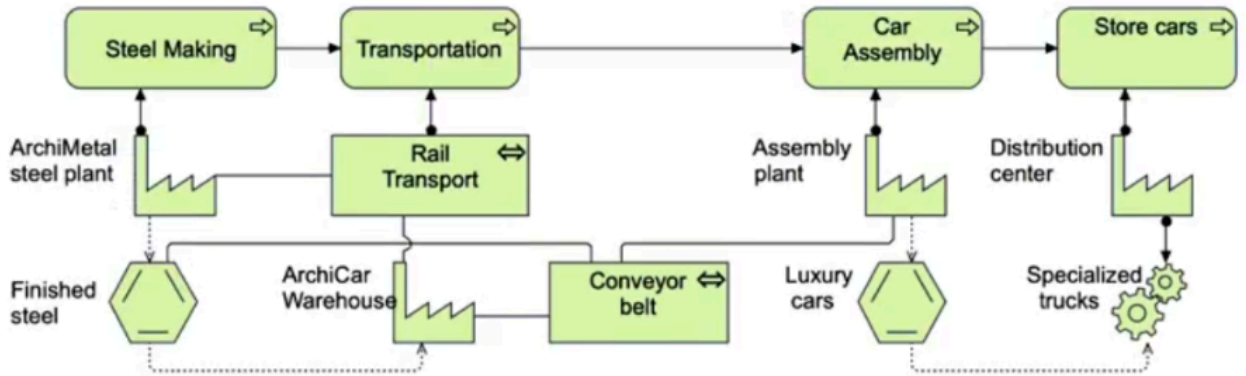
B.



C.



D.



Suggested Answer: C

Currently there are no comments in this discussion, be the first to comment!

Please read this scenario prior to answering the question

The ArchiSurance senior management, board members, customers, and major stockholders have expressed long-standing concerns regarding the business continuity risks associated with relying on a single data center. Located in an area prone to flooding, earthquakes, and occasional water leaks from the cafeteria above, the current data center has significant vulnerabilities.

To address these concerns and mitigate the risks, ArchiSurance has developed a comprehensive plan to relocate its existing data center to two separate ready-to-use data centers in different cities. As a major undertaking, the approval of the Board of Directors is required to proceed with the project.

The primary objectives of the data center move are to reduce the risk of business interruptions, reduce both planned and unplanned downtime for critical applications, and provide reassurance to ArchiSurance stakeholders. Ensuring minimal disruption during the transition is crucial. However, several constraints make the planned migration to the new data centers particularly challenging. Certain critical ArchiSurance applications cannot be offline for more than one hour, and any planned downtime must be restricted to specific four-hour windows on weekends. Additionally, the migration cannot take place during quarterly or year-end closing periods to avoid disrupting critical processing operations.

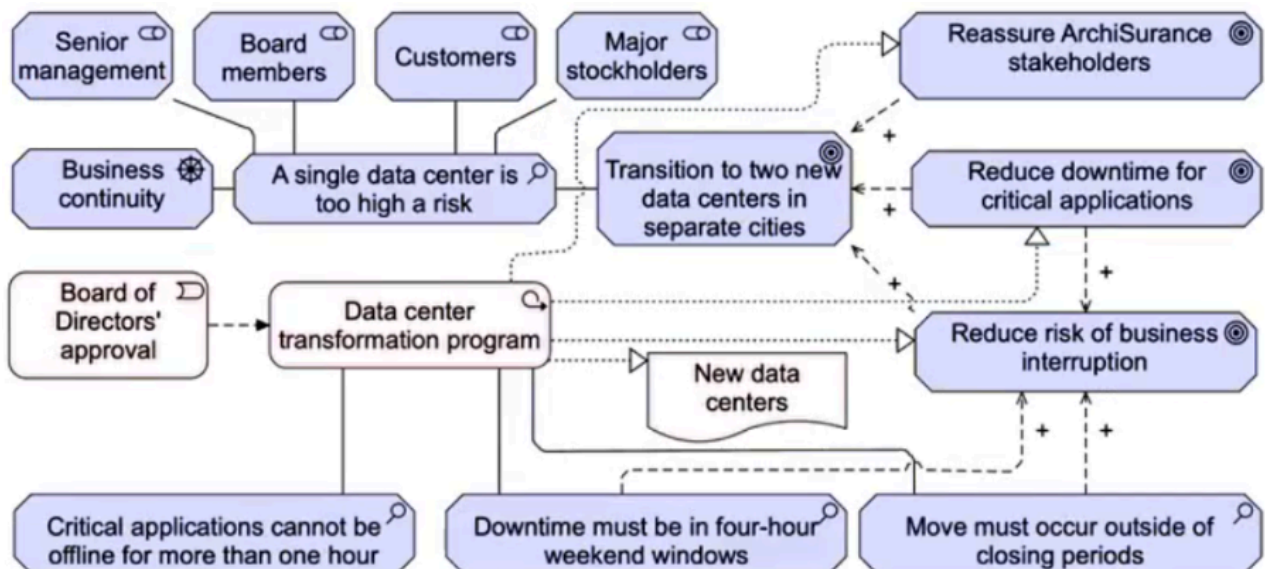
ArchiSurance management has devised a multi-phase data center transformation program to facilitate a smooth transition. Each phase is critical for establishing stable and fully functional data center configurations throughout the transformation process. The initial phase entails detailed scheduling and planning to develop a comprehensive transformation plan aligned with ArchiSurance's timing and scheduling requirements. During the second phase, ArchiSurance will procure the necessary hardware and software for the new data centers, while also seeking refunds for the hardware and software in the current data center once it is decommissioned. The third phase involves setting up the new data centers and conducting parallel testing of the new hardware and software alongside the existing production environment. The transition between the old and new data centers occurs in the fourth phase, followed by the fifth phase, which is the decommissioning of the old data center. This involves returning the hardware and software to obtain the contracted refunds. Each phase, from the second to the fifth, is initiated once specific conditions outlined in the previous phase have been met.

Refer to the Scenario -

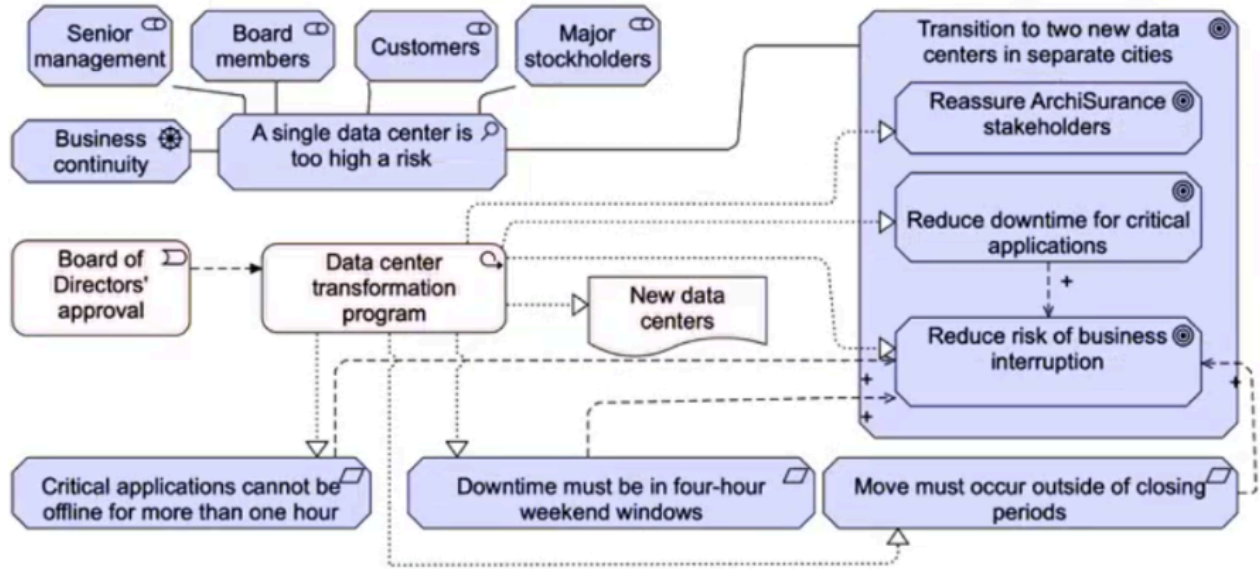
The IT department's leader has assigned you the task of creating a model to explain the rationale behind ArchiSurance's decision to transform its data center infrastructure. The model should show the concerns and motivations of the stakeholders involved. Additionally, it should outline the specific goals to be achieved through the data center transformation program, the associated deliverables, and the limitations that must be considered throughout the program's implementation.

Which of the following answers provides the best explanation?

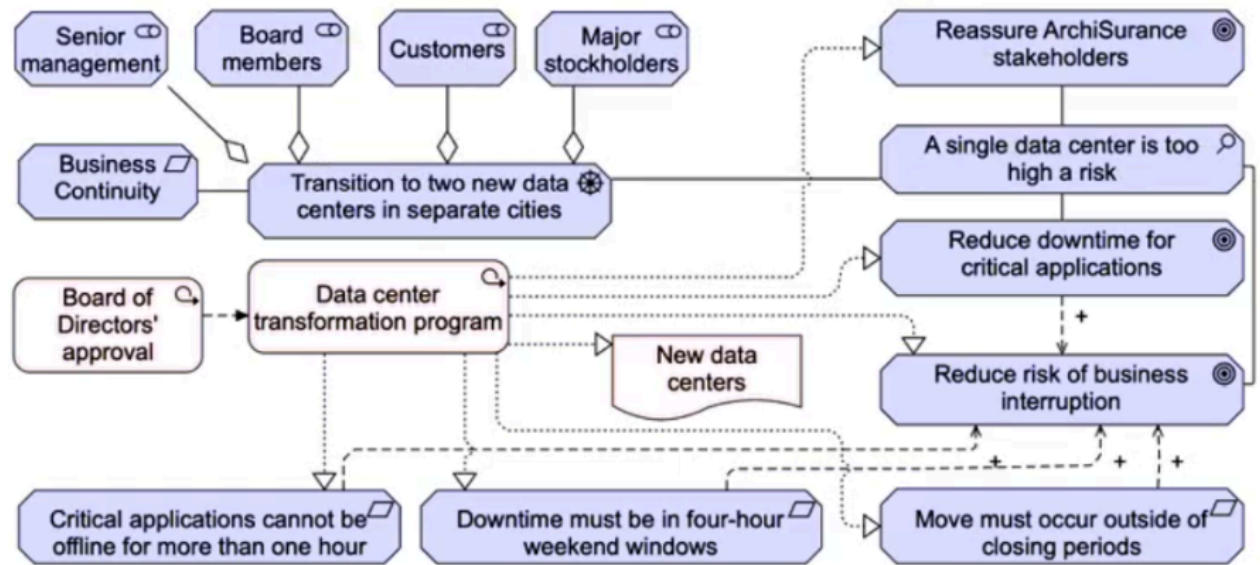
A.



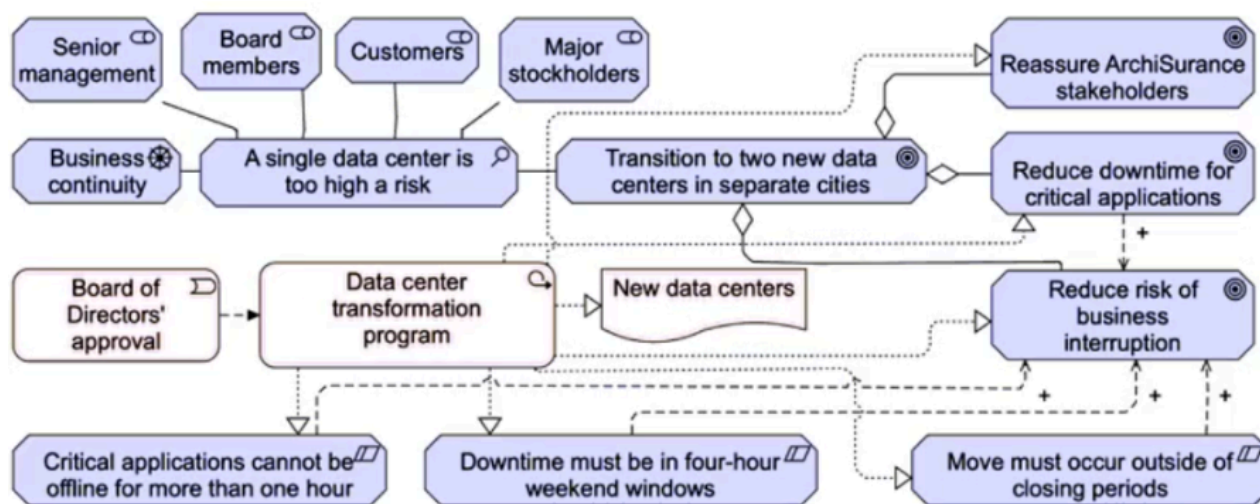
B.



C.



D.



Suggested Answer: D

Currently there are no comments in this discussion, be the first to comment!