



Actual exam question from HP's HPE6-A73

Question #: 1

Topic #: 1

[\[All HPE6-A73 Questions\]](#)

Which statement is correct regarding ACLs and TCAM usage?

- A. Applying an ACL to a group of ports consumes the same resources as specific ACE entries
- B. Using object groups consumes the same resources as specific ACE entries
- C. Compression is automatically enabled for ASIC TCAMs on AOS-CX switches
- D. Applying an ACL to a group of VLANs consumes the same resources as specific ACE entries

Show Suggested Answer





Actual exam question from HP's HPE6-A73

Question #: 2

Topic #: 1

[\[All HPE6-A73 Questions\]](#)

What is correct regarding rate limiting and egress queue shaping on AOS-CX switches?

- A. Only a traffic rate and burst size can be defined for a queue
- B. Limits can be defined only for broadcast and multicast traffic
- C. Rate limiting and egress queue shaping can be used to restrict inbound traffic
- D. Rate limiting and egress queue shaping can be applied globally

Show Suggested Answer



Actual exam question from HP's HPE6-A73

Question #: 3

Topic #: 1

[\[All HPE6-A73 Questions\]](#)

A network administrator needs to replace an antiquated access layer solution with a modular solution involving AOS-CX switches. The administrator wants to leverage virtual switching technologies. The solution needs to support high-availability with dual-control planes.

Which solution should the administrator implement?

- A. AOS-CX 8325
- B. AOS-CX 6300
- C. AOS-CX 6400
- D. AOS-CX 8400

Show Suggested Answer





Actual exam question from HP's HPE6-A73

Question #: 4

Topic #: 1

[\[All HPE6-A73 Questions\]](#)

A company has implemented 802.1X authentication on AOS-CX access switches, where two ClearPass servers are used to implement AAA. Each switch has the two servers defined. A network engineer notices the following command configured on the AOS-CX switches: radius-server tracking user-name monitor password plaintext aruba123

What is the purpose of this configuration?

- A. Implement replay protection for AAA messages
- B. Define the account to implement downloadable user roles
- C. Speed up the AAA authentication process
- D. Define the account to implement change of authorization

Show Suggested Answer





Actual exam question from HP's HPE6-A73

Question #: 5

Topic #: 1

[\[All HPE6-A73 Questions\]](#)

A company has an existing wireless solution involving Aruba APs and Mobility controllers running 8.4 code. The solution leverages a third-party AAA solution. The company is replacing existing access switches with AOS-CX 6300 and 6400 switches. The company wants to leverage the same security and firewall policies for both wired and wireless traffic.

Which solution should the company implement?

- A. RADIUS dynamic authorization
- B. Downloadable user roles
- C. IPSec
- D. User-based tunneling

Show Suggested Answer



Actual exam question from HP's HPE6-A73

Question #: 6

Topic #: 1

[\[All HPE6-A73 Questions\]](#)

A network engineer is having a problem adding a custom-written script to an AOS-CX switch's NAE GUI. The script was written in Python and was successfully added on other AOS-CX switches. The engineer examines the following items from the CLI of the switch:

```
switch# show capacities-status nae
```

System Capacities Status: Filter NAE

Capacity Status Name	Value	Maximum
Number of configured NAE agents currently active in the system	1	100
Number of configured NAE monitors currently active in the system	7	500
Number of configured NAE scripts currently active in the system	50	50

```
switch# show ntp status
```

NTP Status Information

NTP : Disabled

NTP Authentication : Disabled

NTP Server Connections : Using the default VRF

System time : Sat May 2 11:50:55 UTC 2020

NTP uptime : 0 minutes, 0 seconds

Not synchronized with an NTP server.

```
switch# show crypto pki certificate
```

Certificate Name	Cert Status	Associated Applications
local-cert	installed	captive-portal, hsc, https-server,
syslog-client		

```
switch# show crypto pki application
```

Associated Applications	Certificate Name	Cert Status
captive-portal		not configured, using local-cert
hsc		not configured, using local-cert
https-server		not configured, using local-cert
syslog-client		not configured, using local-cert

What should the engineer perform to fix this issue?

- A. Install the script's signature before installing the new script
- B. Ensure the engineer's desktop and the AOS-CX switch are synchronized to the same NTP server
- C. Enable trust settings for the AOS-CX switch's SSL certificate
- D. Remove a script that is no longer used before installing the new script

Show Suggested Answer



Actual exam question from HP's HPE6-A73

Question #: 7

Topic #: 1

[\[All HPE6-A73 Questions\]](#)

Which option correctly defines how to identify a VLAN as a voice VLAN on an AOS-CX switch?

- A. Switch(config)# port-access lldp-group <LLDP-group-name> Switch(config-ldp-group)# vlan <VLAN-ID>
- B. Switch(config)# port-access role <role-name> Switch(config-pa-role)# vlan access <VLAN-ID>
- C. Switch(config)# vlan <VLAN-ID> Switch(config-vlan-<VLAN-ID>)# voice
- D. Switch(config)# vlan <VLAN-ID> voice

Show Suggested Answer



Actual exam question from HP's HPE6-A73

Question #: 8

Topic #: 1

[\[All HPE6-A73 Questions\]](#)

An administrator will be replacing a campus switching infrastructure with AOS-CX switches that support VSX capabilities. The campus involves a core, as well as multiple access layers. Which feature should the administrator implement to allow both VSX-capable core switches to process traffic sent to the default gateway in the campus VLANs?

- A. VRF
- B. VRRP
- C. IP helper
- D. Active gateway

Show Suggested Answer



Actual exam question from HP's HPE6-A73

Question #: 9

Topic #: 1

[\[All HPE6-A73 Questions\]](#)

What is correct regarding the tunneling of user traffic between AOS-CX switches and Aruba Mobility Controllers (MCs)?

- A. Uses IPSec to protect the management and data traffic
- B. Uses IPSec to protect the management traffic
- C. Supports only port-based tunneling
- D. Uses the same management protocol as Aruba APs

Show Suggested Answer





Actual exam question from HP's HPE6-A73

Question #: 10

Topic #: 1

[\[All HPE6-A73 Questions\]](#)

An administrator is implementing a multicast solution in a multi-VLAN network. Which statement is true about the configuration of the switches in the network?

- A. IGMP snooping must be enabled on all interfaces on a switch to intelligently forward traffic
- B. IGMP requires join and leave messages to graft and prune multicast streams between switches
- C. IGMP must be enabled on all routed interfaces where multicast traffic will traverse
- D. IGMP must be enabled on all interfaces where multicast sources and receivers are connected

Show Suggested Answer





Actual exam question from HP's HPE6-A73

Question #: 11

Topic #: 1

[\[All HPE6-A73 Questions\]](#)

How is voice traffic prioritized correctly on AOS-CX switches?

- A. By defining device profiles with QOS settings
- B. By placing it in the strict priority queue
- C. By implementing voice VLANs
- D. By implementing weighted fair queueing (WFQ)

Show Suggested Answer





Actual exam question from HP's HPE6-A73

Question #: 12

Topic #: 1

[\[All HPE6-A73 Questions\]](#)

An administrator is replacing the current access switches with AOS-CX switches. The access layer switches must authenticate user and networking devices connecting to them. Some devices support no form of authentication, and some support 802.1X. Some ports have a VoIP phone and a PC connected to the same port, where the PC is connected to the data port of the phone and the phone's LAN port is connected to the switch.

Which statement is correct about this situation?

- A. 802.1X must be configured to work in fallback mode
- B. Device fingerprinting is required for authentication
- C. The client-limit setting for port access needs to be changed
- D. Device mode should be implemented

Show Suggested Answer



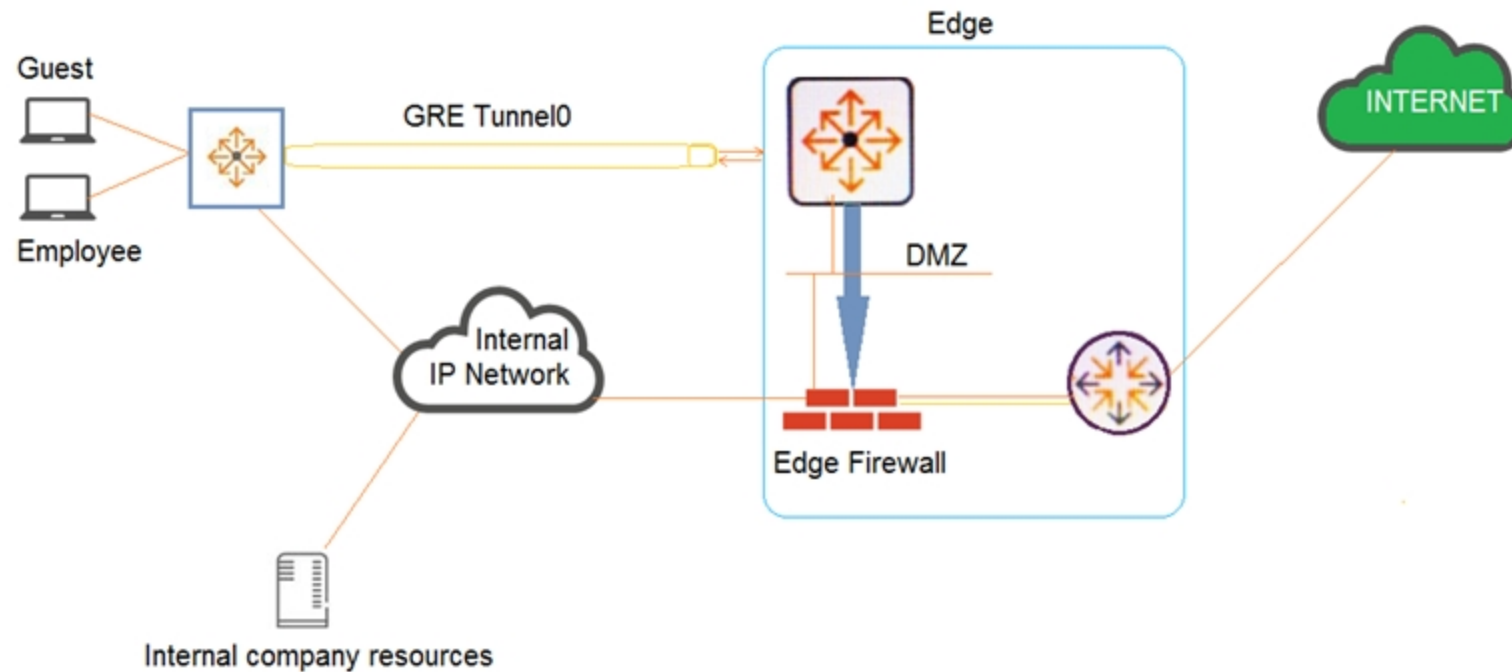
Actual exam question from HP's HPE6-A73

Question #: 13

Topic #: 1

[\[All HPE6-A73 Questions\]](#)

Examine the network exhibit.



A company has a guest implementation for wireless and wired access. Wireless access is implemented through a third-party vendor. The company is concerned about wired guest traffic traversing the same network as the employee traffic. The network administrator has established a GRE tunnel between AOS-CX switches where guests are connected to a routing switch in the DMZ.

Which feature should the administrator implement to ensure that the guest traffic is tunneled to the DMZ while the employee traffic is forwarded using OSPF?

- A. OSPF route maps using the `set metric` command
- B. Policy-based routing (PBR)
- C. User-based tunneling (UBT)
- D. Classifier policies

Show Suggested Answer

Actual exam question from HP's HPE6-A73

Question #: 14

Topic #: 1

[\[All HPE6-A73 Questions\]](#)

An administrator has an AOS-CX switch configured with:

```
router ospf 1
```

```
area 0
```

```
area 1 stub no-summary
```

It is the only ABR for area 1. The switch has the appropriate adjacencies to routing switches in areas 0 and 1. The current routes in each area are:

Area 0: 5 routes (LSA Type 1 and 2)

Area 1: 10 routes (LSA Type 1 and 2)

External routes: 2 (LSA Type 5)

Based on the above configuration, how many OSPF routes will routing switches see in Area 1?

A. 15

B. 6

C. 11

D. 12

Show Suggested Answer



Actual exam question from HP's HPE6-A73

Question #: 15

Topic #: 1

[\[All HPE6-A73 Questions\]](#)

A network administrator is managing a network that deploys a multicast service. The administrator has multiple streams successfully being routed by PIM-DM in the network. The administrator then adds a new stream with a destination address of 239.0.0.1. However, clients who have not joined the stream are receiving it. What should the administrator do to fix this problem?

- A. Verify that IGMP is enabled between the switches connecting the multicast source and receivers
- B. Change the destination multicast address to 239.1.1.1
- C. Define the 239.0.0.1 stream on the rendezvous point (RP)
- D. Define the 239.0.0.1 stream on the PIM candidate bootstrap router

Show Suggested Answer





Actual exam question from HP's HPE6-A73

Question #: 16

Topic #: 1

[\[All HPE6-A73 Questions\]](#)

Which protocols are used by NetEdit to interact with third-party devices? (Choose two.)

- A. telnet
- B. SNMP
- C. SSH
- D. Restful API
- E. CDP

Show Suggested Answer





Actual exam question from HP's HPE6-A73

Question #: 17

Topic #: 1

[\[All HPE6-A73 Questions\]](#)

An administrator is implementing a downloadable user role solution involving AOS-CX switches. The AAA solution and the AOS-CX switches can successfully authenticate users; however, the role information fails to download to the switches. What policy should be added to an intermediate firewall to allow the downloadable role function to succeed?

- A. Allow TCP 443
- B. Allow UDP 1811
- C. Allow UDP 8211
- D. Allow TCP 22

Show Suggested Answer



Actual exam question from HP's HPE6-A73

Question #: 18

Topic #: 1

[\[All HPE6-A73 Questions\]](#)

A network administrator is attempting to troubleshoot a connectivity issue between a group of users and a particular server. The administrator needs to examine the packets over a period of time from their desktop; however, the administrator is not directly connected to the AOS-CX switch involved with the traffic flow.

What is correct regarding the ERSPAN session that needs to be established on an AOS-CX switch? (Choose two.)

- A. On the source AOS-CX switch, the destination specified is the switch to which the administrator's desktop is connected
- B. On the source AOS-CX switch, the destination specified is the administrator's desktop
- C. The encapsulation protocol used is GRE
- D. The encapsulation protocol used is VXLAN
- E. The encapsulation protocol is UDP

Show Suggested Answer



Actual exam question from HP's HPE6-A73

Question #: 19

Topic #: 1

[\[All HPE6-A73 Questions\]](#)

What is correct regarding the operation of VSX and multicasting with PIM-SM routing configured?

- A. Each VSX peers runs PIM and builds its own group database. One of the VSX peers is elected as the designated router (DR) to forward multicast streams to a receiver VLAN
- B. Each VSX peers runs PIM and creates a shared group database. Both VSX peers can forward multicast streams to receivers in a VLAN, achieving load sharing
- C. Each VSX peers runs PIM and builds its own group database. Both VSX peers can forward multicast streams to receivers in a VLAN, achieving load sharing
- D. Each VSX peers runs PIM and creates a shared group database. One of the VSX peers is elected as the designated router (DR) to forward multicast streams to a receiver VLAN

Show Suggested Answer





Actual exam question from HP's HPE6-A73

Question #: 20

Topic #: 1

[\[All HPE6-A73 Questions\]](#)

An administrator wants to track what configuration changes were made on a switch. What should the administrator implement to see the configuration changes on an AOS-CX switch?

- A. AAA authorization
- B. Network Analysis Engine (NAE)
- C. AAA authentication
- D. VSX synchronization logging

[Show Suggested Answer](#)



Actual exam question from HP's HPE6-A73

Question #: 21

Topic #: 1

[\[All HPE6-A73 Questions\]](#)

Examine the AOS-CS switch output:

```
Switch# show aaa authentication port-access interface 1/1/1 client-status
```

```
Port Access Client Status Details
```

```
Client 00:50:56:b1:7a:37, icx-employee
```

```
Session Details
```

```
Port          : 1/1/3  
Session Time : 31273s
```

```
Authentication Details
```

```
Status          : dot1x Authenticated  
Auth Precedence : dot1x - Authenticated, mac-auth - Not attempted
```

```
Authorization Details
```

```
Role           : aruba_contractor-3044-7  
Status         : Applied
```

Based on this output, what is correct?

- A. 802.1X authentication was successful, but MAC authentication is yet to start
- B. 802.1X authentication occurred and downloadable user roles are deployed
- C. A local user role was deployed using a ClearPass solution
- D. Only 802.1X authentication is configured on the port

Show Suggested Answer

Actual exam question from HP's HPE6-A73

Question #: 22

Topic #: 1

[\[All HPE6-A73 Questions\]](#)

An administrator in a company of 349 users has a pair of AOS-CX switches with connections to external networks. Both switches are configured for OSPF. The administrator wants to import external routes on both switches, but assigns different seed metrics to the routes, as well as imports them as external type-1 routes. What is the best way for the administrator to accomplish this?

- A. Create a route map with the correct route type and metrics
- B. Define the route type and metrics in the OSPF process
- C. Create a classifier policy with the correct route type and metrics
- D. Define a class and policy map with the correct route type and metrics

Show Suggested Answer





Actual exam question from HP's HPE6-A73

Question #: 23

Topic #: 1

[\[All HPE6-A73 Questions\]](#)

An administrator is concerned about the security of the control plane connection between an AOS-CX switch and an Aruba Mobility Controller (MC) when implementing user-based tunneling. How should the administrator protect this traffic?

- A. IPSec with a digital certificate
- B. GRE with a pre-shared key
- C. PAPI with an MD5 pre-shared key
- D. IPSec with a pre-shared key

Show Suggested Answer





Actual exam question from HP's HPE6-A73

Question #: 24

Topic #: 1

[\[All HPE6-A73 Questions\]](#)

A network administrator is implementing a configuration plan in NetEdit. The administrator used NetEdit to push the configuration plan to the switch. Which option in the NetEdit planning section should the administrator select to save the configuration running on the switch to the startup-config?

- A. EDIT
- B. VALIDATE
- C. COMMIT
- D. DEPLOY

Show Suggested Answer



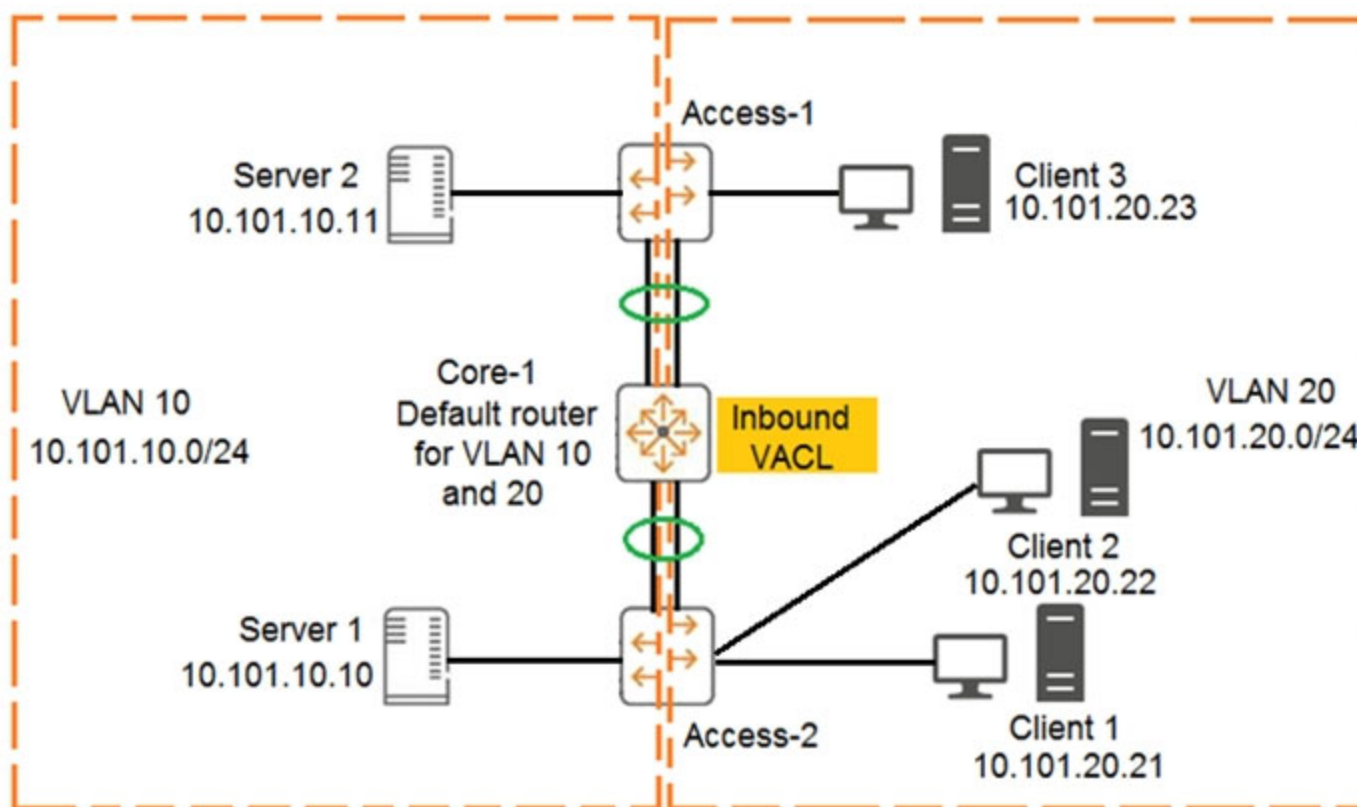
Actual exam question from HP's HPE6-A73

Question #: 25

Topic #: 1

[\[All HPE6-A73 Questions\]](#)

Examine the network exhibit:



The ACL configuration defined on Core-1 is as follows:

```
Core-1(config)# access-list ip example
Core-1(config-acl-ip)# permit ip 10.101.20.21/32 any eq 23
Core-1(config-acl-ip)# permit ip 10.101.20.21/32 eq 23 any
Core-1(config-acl-ip)# exit
Core-1(config)# vlan 20
Core-1(config-if)# apply access-list example in
```

If telnet was being used, which device connection would be permitted and functional in both directions? (Choose two.)

- A. Client 3 to Client 2
- B. Client 1 to Client 2
- C. Server 2 to Client 2
- D. Server 1 to Client 1
- E. Client 1 to Client 3

Show Suggested Answer



Actual exam question from HP's HPE6-A73

Question #: 26

Topic #: 1

[\[All HPE6-A73 Questions\]](#)

An administrator has an aggregation layer of 8325CX switches configured as a VSX pair. The administrator is concerned that when OSPF network changes occur, the aggregation switches will respond to the changes slowly, and this will affect network connectivity, especially VoIP calls, in the connected access layer switches. What should the administrator do on the aggregation layer switches to alleviate this issue?

- A. Implement route aggregation
- B. Implement bidirectional forwarding detection (BFD)
- C. Reduce the hello and dead interval timers
- D. Implement graceful restart

Show Suggested Answer





Actual exam question from HP's HPE6-A73

Question #: 27

Topic #: 1

[\[All HPE6-A73 Questions\]](#)

How is NetEdit installed at a customer location?

- A. Via an Aruba NetEdit hardware appliance
- B. Via a DVD using a virtualized platform like Microsoft's Hyper-V
- C. Via the Aruba Central cloud solution
- D. Via an OVA file and a virtualized platform like VMware's ESXi

Show Suggested Answer





Actual exam question from HP's HPE6-A73

Question #: 28

Topic #: 1

[\[All HPE6-A73 Questions\]](#)

What is correct regarding multicasting and AOS-CX switches?

- A. IGMP snooping is disabled, by default, on Layer-2 VLAN interfaces
- B. IGMP query functions are enabled, by default, on Layer-2 VLAN interfaces
- C. IGMP snooping is enabled, by default, on Layer-3 VLAN interfaces
- D. IGMP-enabled AOS-CX switches flood unknown multicast destinations

Show Suggested Answer





Actual exam question from HP's HPE6-A73

Question #: 29

Topic #: 1

[\[All HPE6-A73 Questions\]](#)

A company has recently upgraded their campus switching infrastructure with AOS-CX switches. They have implemented 802.1X authentication on access ports where laptop and IOT devices typically connect. An administrator has noticed that for POE devices, the AOS-CX switch ports are delivering the maximum wattage to the port instead of what the device actually needs. Upon connecting the IoT devices, the devices request the maximum wattage through information exchange.

Concerned about this waste of electricity, what should the administrator implement to solve this problem?

- A. Implement a classifier policy with the correct power definitions
- B. Create device profiles with the correct power definitions
- C. Enable AAA authentication to exempt LLDP and/or CDP information
- D. Globally enable the QoS trust setting for LLDP and/or CDP

Show Suggested Answer





Actual exam question from HP's HPE6-A73

Question #: 30

Topic #: 1

[\[All HPE6-A73 Questions\]](#)

A company requires access by all users, guests, and employees to be authenticated. Employees will be authenticated using 802.1X, whereas guests will be authenticated using captive portal. Which type of authentication must be configured on an AOS-CX switch ports where both guests and employees connect?

- A. Both 802.1X and captive portal
- B. 802.1X only
- C. Both 802.1X and MAC-Auth
- D. 802.1X, captive portal, and MAC-Auth

[Show Suggested Answer](#)



Actual exam question from HP's HPE6-A73

Question #: 31

Topic #: 1

[\[All HPE6-A73 Questions\]](#)

Examine the output from an AOS-CX switch implementing a dynamic segmentation solution involving downloadable user roles:

```
Switch# show port-access role clearpass
```

Role information:

```
Name : icxarubadur_employee-3044-2
```

```
Type : clearpass -
```

```
Status: failed, parsing_failed -
```

```
Reauthentication Period :
```

```
Authentication Mode :
```

```
Session Timeout :
```

The downloadable user roles are not being downloaded to the AOS-CX switch. Based on the above output, what is the problem?

- A. The certificate that ClearPass uses is invalid
- B. The AOS-CX switch does not have the ClearPass certificate involved
- C. DNS fails to resolve the ClearPass server's FQDN
- D. There is a date/time issue between the ClearPass server and the switch

Show Suggested Answer

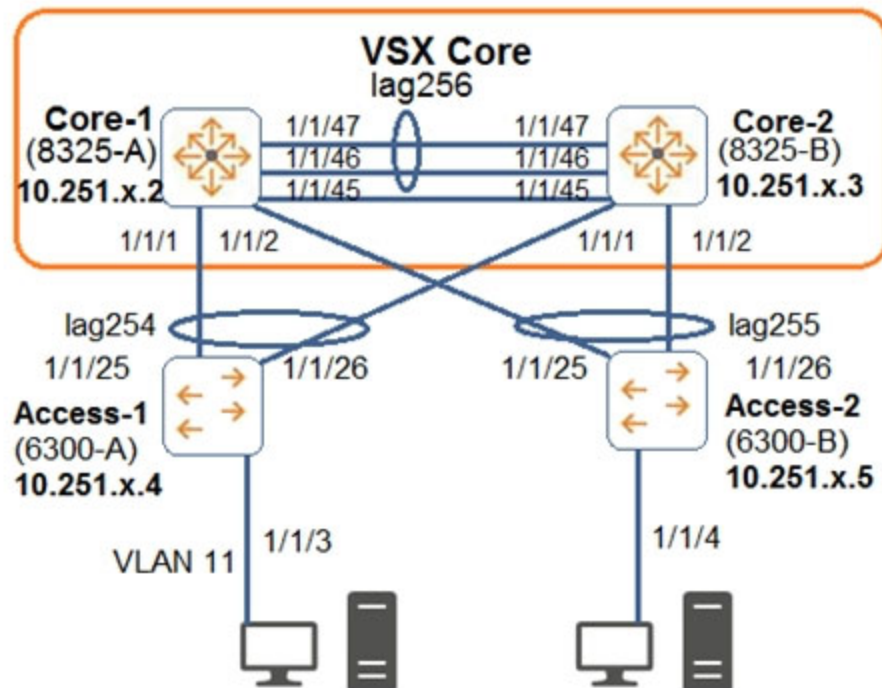
Actual exam question from HP's HPE6-A73

Question #: 32

Topic #: 1

[\[All HPE6-A73 Questions\]](#)

Examine the attached diagram.



The two PCs are located in VLAN 11 (10.11.0/24). Which example defines how to implement active gateway on the VSX core for VLAN 11?

- A. interface vlan 11 active-gateway ip 10.1.11.1 active-gateway mac 02:02:00:00:01:00
- B. interface lag 254 active-gateway vlan 11 ip 10.1.11.1 active-gateway vlan 11 mac 02:02:00:00:01:00
- C. interface lag 254 active-gateway ip 10.1.11.1 active-gateway mac 02:02:00:00:01:00
- D. vsx vrrp group 1

Show Suggested Answer

Actual exam question from HP's HPE6-A73

Question #: 33

Topic #: 1

[\[All HPE6-A73 Questions\]](#)

An administrator has configured the following on an AOS-CX switch:

```
object-group ip address web-servers
```

```
  10.1.12.2
```

```
  10.1.12.3
```

```
exit
```

```
object-group port web-ports
```

```
  eq 80
```

```
  eq 443
```

What is the correct ACL rule configuration that would allow traffic from anywhere to reach the web ports on the two specified servers?

- A. access-list ip server 10 permit tcp any web-servers group web-ports
- B. access-list ip server 10 permit tcp any object-group web-servers object-group web-ports
- C. access-list ip server 10 permit tcp any group web-servers group web-ports
- D. access-list ip server 10 permit tcp any web-servers web-ports

Show Suggested Answer



Actual exam question from HP's HPE6-A73

Question #: 34

Topic #: 1

[\[All HPE6-A73 Questions\]](#)

A network administrator wants to centralize the management of AOS-CX switches by implementing NetEdit. How should the administrator purchase and/or install the NetEdit solution?

- A. Install as a hardware appliance
- B. Installed on a supported version of RedHat Enterprise Linux
- C. Installed in a virtualized solution by using the Aruba-supplied OVA file
- D. Installed on a supported version of Debian Linux

Show Suggested Answer





Actual exam question from HP's HPE6-A73

Question #: 35

Topic #: 1

[\[All HPE6-A73 Questions\]](#)

A network engineer is using NetEdit to manage AOS-CX switches. The engineer notices that a lot of third-party VoIP phones are showing up in the NetEdit topology. The engineer deletes these, but they are automatically rediscovered by NetEdit and added back in. What should the administrator do to solve this problem?

- A. Change the VoIP phone SNMP community string to something unknown by NetEdit
- B. Disable LLDP globally on the AOS-CX switches where phones are connected
- C. Disable SSH access on all the VoIP phones
- D. Disable the RESTful API on all the VoIP phones

Show Suggested Answer



Actual exam question from HP's HPE6-A73

Question #: 36

Topic #: 1

[\[All HPE6-A73 Questions\]](#)

Examine the following AOS-CX configuration:

```
Switch(config)# class ip IoT-traffic
Switch(config-class-ip)# match ip 192.168.0.0/16 any
Switch(config-class-ip)# exit
Switch(config)# pbr-action-list reroute
Switch(config-prb-action-list)# default-nexthop 10.100.1.2
Switch(config-prb-action-list)# exit
Switch(config)# policy IoT-policy
Switch(config-policy)# class ip IoT-traffic action pbr reroute
Switch(config-policy)# exit
Switch(config)# interface vlan 999
Switch(config-if)# apply policy IoT-policy routed-in
Switch(config-if)# exit
```

Based on this configuration, which statement is correct regarding IoT traffic?

- A. If 10.100.1.2 is not reachable, the IoT traffic will be automatically dropped by the switch
- B. If a specific route is not available in the routing table, the traffic will be routed to 10.100.1.2
- C. The next hop of 10.100.1.2 can be one or more hops away from the AOS-CX switch
- D. All routes are ignored in the routing table for IoT traffic, which is routed to 10.100.1.2

Show Suggested Answer



Actual exam question from HP's HPE6-A73

Question #: 37

Topic #: 1

[\[All HPE6-A73 Questions\]](#)

Which protocol does NetEdit use to discover devices in a subnet during the discovery process?

- A. LLDP
- B. ARP
- C. DHCP
- D. ICMP

Show Suggested Answer



Actual exam question from HP's HPE6-A73

Question #: 38

Topic #: 1

[\[All HPE6-A73 Questions\]](#)

Examine the following AOS-CX switch configuration:

```
Access(config)# access-list ip ext
Access(config-acl-ip)# permit ip any 10.0.11.0/255.0.255.0 count
Access(config-acl-ip)# permit ip any 10.0.12.0/255.0.255.0 log
Access(config-acl-ip)# exit
Access(config)# interface 1/1/3
Access(config-if)# apply access-list ip ext in
Access(config-if)# exit
```

Which statement correctly describes what is allowed for traffic entering interface 1/1/3?

- A. IP traffic from 10.1.11.0/24 is allowed to access 10.1.110.0/24
- B. IP traffic from 10.0.11.0/24 is allowed to access 10.1.12.0/24
- C. Traffic from 10.0.12.0/24 will generate a log record when accessing 10.0.11.0/24
- D. IP traffic from 10.1.12.0/24 is allowed to access 172.0.1.0/23

Show Suggested Answer





Actual exam question from HP's HPE6-A73

Question #: 39

Topic #: 1

[\[All HPE6-A73 Questions\]](#)

An administrator creates an ACL rule with both the `count` and `log` option enabled. What is correct about the action taken by an AOS-CX switch when there is a match on this rule?

- A. By default, a summarized log is created every minute with a count of the number of matches
- B. Logging will not include certificate and TLS events, but counting will
- C. The `count` and `log` options are processed by the AOS-CX switch's hardware ASIC
- D. The total in the `log` record and the count could contain different rule matching statistics

Show Suggested Answer





Actual exam question from HP's HPE6-A73

Question #: 40

Topic #: 1

[\[All HPE6-A73 Questions\]](#)

An administrator is defining a VSX LAG on a pair of AOS-CX switches that are defined as primary and secondary. The VSX LAG fails to establish successfully with a remote switch; however, after verification, the remote switch is configured correctly. The administrator narrows down the problem to the configuration on the AOS-CX switches.

What would cause this problem?

- A. Local optimization was not enabled on the VSX LAG
- B. The VSX LAG hash does not match the remote peer
- C. The VSX LAG interfaces are in layer-3 mode
- D. LACP was enabled in active mode on the VSX LAG

Show Suggested Answer



Actual exam question from HP's HPE6-A73

Question #: 41

Topic #: 1

[\[All HPE6-A73 Questions\]](#)

Examine the configuration performed on newly deployed AOS-CX switches:

```
Switch(config)# radius-server host cppm key plaintext aruba123 vrf mgmt
Switch(config)# aaa authentication port-access dot1x authenticator radius server-group cppm
Switch(config)# aaa authentication port-access dot1x authenticator enable
Switch(config)# interface 1/1/1 – 1/1/48
Switch(config-if)# aaa authentication port-access dot1x authenticator
Switch(config-if-dot1x-auth)# enable
Switch(config-if-dot1x-auth)# exit
Switch(config-if)# exit
```

After performing this configuration, the administrator notices that the switch ports always remain in the EAP-start state. What should the administrator do to fix this problem?

- A. Define the server group cppm
- B. Set the ports to client-mode
- C. Create and assign a local user role to the ports
- D. Enable change of authorization (CoA)

Show Suggested Answer





Actual exam question from HP's HPE6-A73

Question #: 42

Topic #: 1

[\[All HPE6-A73 Questions\]](#)

A network has two AOS-CX switches connected to two different service providers. The administrator is concerned about bandwidth consumption on the service provider links and learned that the service providers were using the company as a transit AS.

Which feature should the administrator implement to prevent this situation?

- A. Configure route maps and apply them to BGP
- B. Configure the two switches as route reflectors
- C. Configure a classifier policy to disable MED
- D. Configure bi-directional forwarding detection on both switches

Show Suggested Answer



Actual exam question from HP's HPE6-A73

Question #: 43

Topic #: 1

[\[All HPE6-A73 Questions\]](#)

A company has just purchased AOS-CX switches. The company has a free and open-source AAA solution. The company wants to implement access control on the Ethernet ports of the AOS-CX switches.

Which security features can the company implement given the equipment that they are using?

- A. Port-based tunneling
- B. Device fingerprinting
- C. Local user roles
- D. Downloadable user roles

Show Suggested Answer



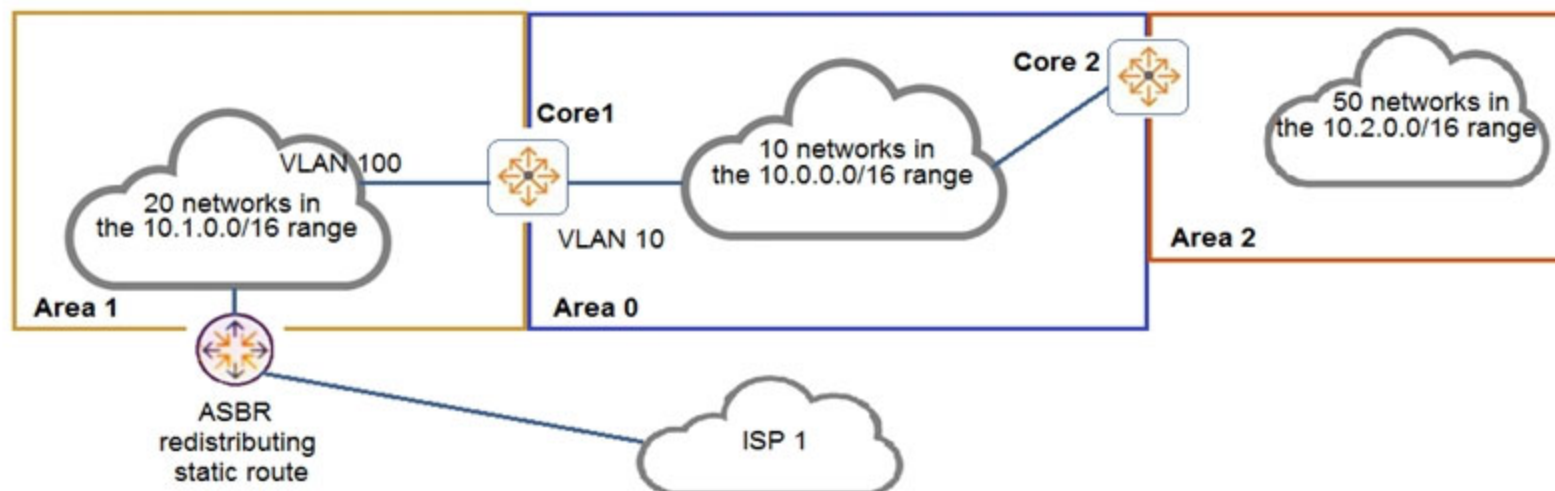
Actual exam question from HP's HPE6-A73

Question #: 44

Topic #: 1

[\[All HPE6-A73 Questions\]](#)

Examine the network topology.



The network is configured for OSPF with the following attributes:

- ⇒ Core1 and Core2 and ABRs
- ⇒ Area 1 has 20 networks in the 10.1.0.0/16 range
- ⇒ Area 0 has 10 networks in the 10.0.0.0/16 range
- ⇒ Area 2 has 50 networks in the 10.2.0.0/16 range
- ⇒ The ASBR is importing a static route into Area 1
- ⇒ Core2 has a summary for Area 2: area 0.0.0.2 range 10.2.0.0/16 type inter-area

Here is the OSPF configuration performed on Core1:

```
Core1(config)# router ospf 1
Core1(config-router)# router-id 10.0.0.1
Core1(config-router)# passive-interface default
Core1(config-router)# area 0.0.0.0
Core1(config-router)# area 0.0.0.1 stub
Core1(config-router)# area 0.0.0.1 range 10.1.0.0/16 type inter-area
Core1(config-router)# area 0.0.0.2
Core1(config-router)# area 0.0.0.0 range 10.0.0.0/16 type inter-area
Core1(config-router)# exit
Core1(config)# interface vlan 10
Core1(config-if)# ip address 10.0.1.1/24
Core1(config-if)# ip ospf 1 area 0
Core1(config-if)# exit
Core1(config)# interface vlan 100
Core1(config-if)# ip address 10.1.1.1/24
Core1(config-if)# ip ospf 1 area 1
Core1(config-if)# exit
```

Based on the above information, what is correct?

- A. Area 0 has 13 routes
- B. Core1 has no OSPF routes
- C. Core1 has received one LSA Type 5 from the ASBR
- D. Area 1 has 23 routes

Show Suggested Answer



Actual exam question from HP's HPE6-A73

Question #: 45

Topic #: 1

[\[All HPE6-A73 Questions\]](#)

A network administrator is implementing NAE on AOS-CX switches. When attempting to create an agent on a particular switch, the agent appears in the NAE Agents panel with a red triangle error symbol and a status of `Unknown`.

What is the cause of this issue?

- A. The administrator does not have the appropriate credentials to interact with NAE
- B. The number of scripts or agents has exceeded the hardware's capabilities
- C. A connectivity issue exists between NAE and the AOS-CX switch
- D. The RESTful API has not been enabled on the AOS-CX switch

Show Suggested Answer





Actual exam question from HP's HPE6-A73

Question #: 46

Topic #: 1

[\[All HPE6-A73 Questions\]](#)

A network engineer for a company with 896 users across a multi-building campus wants to gather statistics on an important switch uplink and create actions based on issues that occur on the uplink. How often does an NAE agent gather information from the current state database in regard to the uplink interfaces?

- A. Once every 60 seconds
- B. Once every 1 second
- C. Once every 30 seconds
- D. Once every 5 seconds

Show Suggested Answer





Actual exam question from HP's HPE6-A73

Question #: 47

Topic #: 1

[\[All HPE6-A73 Questions\]](#)

How does PIM build the IP multicast routing table to route traffic between a multicast source and one or more receivers?

- A. It uses the unicast routing table and reverse path forwarding (RPF)
- B. It uses IGMP and calculates a shortest path tree (SPT)
- C. It uses the shortest path first (SPF) algorithm derived from link state protocols
- D. It uses the Bellman-Ford algorithm derived from distance vector protocols

Show Suggested Answer





Actual exam question from HP's HPE6-A73

Question #: 48

Topic #: 1

[\[All HPE6-A73 Questions\]](#)

An administrator is managing a pair of core AOS-CX switches configured for VSX. Connected to this core are pairs of aggregation layer AOS-CX switches configured for VSX. OSPF is running between the aggregation and core layers. To speed up OSPF convergence, the administrator has configured BFD between the core and aggregation switches.

What is a best practice the administrator should implement to reduce CPU processing on the switches if a BFD neighbor fails?

- A. Disable ICMP redirects
- B. Implement graceful restart
- C. Increase the BFD echo timers
- D. Increase the VSX keepalive timer

Show Suggested Answer





Actual exam question from HP's HPE6-A73

Question #: 49

Topic #: 1

[\[All HPE6-A73 Questions\]](#)

A network engineer is examining NAE graphs from the Dashboard but notices that the time shown in the graph does not represent the current time. The engineer verifies that the AOS-CX switch is configured for NTP and is successfully synchronized. What should be done to fix this issue?

- A. Ensure the engineer's web browser is configured for the same timezone as the AOS-CX switch
- B. Ensure the engineer's PC is synchronized to the same NTP server as the AOS-CX switch
- C. Ensure NetEdit and the AOS-CX switch are synchronized to the same NTP server
- D. Enable trust settings for the AOS-CX switch's SSL certificate

Show Suggested Answer



Actual exam question from HP's HPE6-A73

Question #: 50

Topic #: 1

[\[All HPE6-A73 Questions\]](#)

A company is implementing a new wireless design and needs it to support high availability, even during times of switch system upgrades. The solution will involve Aruba Mobility Controller (MC) and Aruba AP connections requiring POE. Which campus AOS-CX switch solution and virtual switching should the company implement at the campus access layer?

- A. AOS-CX 6400 and VSX
- B. AOS-CX 6300 and VSF
- C. AOS-CX 8325 and VSF
- D. AOS-CX 8400 and VSX

Show Suggested Answer





Actual exam question from HP's HPE6-A73

Question #: 51

Topic #: 1

[\[All HPE6-A73 Questions\]](#)

An administrator is looking for a data center switching solution that will greatly reduce the likelihood of dropped frames when uplink congestion is experienced. Which AOS-CX switch queuing feature meets the administrator's needs?

- A. FIFO
- B. VOQ
- C. WFQ
- D. DWRR

Show Suggested Answer



Actual exam question from HP's HPE6-A73

Question #: 52

Topic #: 1

[\[All HPE6-A73 Questions\]](#)

An AOS-CX switch is configured to implement downloadable user roles. Examine the AOS-CX switch output:

```
Access1(config)# show aaa authentication port-access interface all client-status
```

```
Port Access Client Status Details
```

```
Client 00:50:56:b1:7a:37
```

```
=====
```

```
Session Details
```

```
-----
```

```
Port : 1/1/3
```

```
Session Time : 1887s
```

```
Authentication Details
```

```
-----
```

```
Status : mac-auth Authenticated
```

```
Auth Precedence : dot1x - Not attempted, mac-auth - Authenticated
```

```
Authorization Details
```

```
-----
```

```
Role :
```

```
Status : Not ready
```

Based on this output, what is the state of the user's access?

- A. No downloadable user role exists
- B. MAC authentication has passed, but 802.1X authentication is in progress
- C. The RADIUS request timed out to the AAA server
- D. The port should be configured for 802.1X

Show Suggested Answer

Actual exam question from HP's HPE6-A73

Question #: 53

Topic #: 1

[\[All HPE6-A73 Questions\]](#)

Examine the commands entered on an AOS-CX switch:

```
switch(config)# pbr-action-list test1
switch(config-pbr-action-list-test1)# nexthop 1.1.1.1
switch(config-pbr-action-list-test1)# nexthop 2.2.2.2
switch(config-pbr-action-list-test1)# default-nexthop 9.9.9.9
switch(config-pbr-action-list-test1)# interface null
switch(config-pbr-action-list-test1)# exit
switch(config)# interface vlan 100
switch(config-if)# apply policy test1 routed-in
```

What is true regarding this configuration for traffic received on interface 100?

- A. The default next-hop address supersedes the two preceding next-hop addresses
- B. The traffic is always dropped if the next-hop addresses are unreachable
- C. The traffic will be routed with the IP routing table entries if the next-hop addresses are unreachable
- D. The next-hop address of 1.1.1.1 is overwritten by the next-hop address of 2.2.2.2

Show Suggested Answer



Actual exam question from HP's HPE6-A73

Question #: 54

Topic #: 1

[\[All HPE6-A73 Questions\]](#)

Examine the following ACL rule policies:

- ⇒ Permit traffic from 10.2.2.1 through 10.2.2.30 to anywhere
- ⇒ Permit traffic from 10.2.2.40 through 10.2.2.55 to anywhere
- ⇒ Deny all others

Based on this policy, place the following ACL rule statements in the correct order to accomplish the above filtering policy.

- A. deny ip 10.2.2.31 255.255.255.255 any permit ip 10.2.2.40 255.255.255.248 any permit ip 10.2.2.48 255.255.255.248 any deny ip 10.2.2.32 255.255.255.224 any permit ip 10.2.2.0 255.255.255.192 any
- B. permit ip 10.2.2.40 255.255.255.248 any permit ip 10.2.2.48 255.255.255.248 any permit ip 10.2.2.0 255.255.255.192 any deny ip 10.2.2.31 255.255.255.255 any deny ip 10.2.2.32 255.255.255.224 any
- C. deny ip 10.2.2.31 255.255.255.255 any deny ip 10.2.2.32 255.255.255.224 any permit ip 10.2.2.40 255.255.255.248 any permit ip 10.2.2.48 255.255.255.248 any permit ip 10.2.2.0 255.255.255.192 any
- D. deny ip 10.2.2.31 255.255.255.255 any permit ip 10.2.2.40 255.255.255.248 any deny ip 10.2.2.32 255.255.255.224 any permit ip 10.2.2.48 255.255.255.248 any permit ip 10.2.2.0 255.255.255.192 any

Show Suggested Answer



Actual exam question from HP's HPE6-A73

Question #: 55

Topic #: 1

[\[All HPE6-A73 Questions\]](#)

A company has a third-party AAA server solution. The campus access layer was just upgraded to AOS-CX switches that perform access control with MAC-Auth and 802.1X. The company has an Aruba Mobility Controller (MC) solution for wireless, and they want to leverage the firewall policies on the controllers for the wired traffic. What is correct about how the company should implement a security solution where the wired traffic is processed by the MCs?

- A. Implement downloadable user roles with a gateway role defined on the AOS-CX switches
- B. Implement local user roles with a gateway role defined on the AOS-CX switches
- C. Implement standards-based RADIUS VSAs to pass policy information directly to the AOS-CX switches and MCs
- D. Implement downloadable user roles with a device role defined on the AOS-CX switches and MCs

Show Suggested Answer





Actual exam question from HP's HPE6-A73

Question #: 56

Topic #: 1

[\[All HPE6-A73 Questions\]](#)

An administrator wants to leverage always-on PoE on AOS-CX switches. Which statement is correct regarding this feature?

- A. Provides up to 60W of power per port
- B. Supports all AOS-CX switches
- C. Provides surge protection for PoE and non-PoE ports
- D. Requires NetEdit to implement

Show Suggested Answer





Actual exam question from HP's HPE6-A73

Question #: 57

Topic #: 1

[\[All HPE6-A73 Questions\]](#)

An administrator of a company has concerns about upgrading the access layer switches. The users rely heavily on wireless and VoIP telephony. Which is the best recommendation to ensure a short downtime for the users during upgrading the access layer switches?

- A. Install the in-service software upgrade (ISSU) feature with clustering enabled
- B. Install AOS-CX 6300 or 6400 switches with always-on POE
- C. Implement VSF on the AOS-CX access switches
- D. Implement VSX on the AOS-CX access switches

Show Suggested Answer





Actual exam question from HP's HPE6-A73

Question #: 58

Topic #: 1

[\[All HPE6-A73 Questions\]](#)

How should a network administrator add NAE scripts and implement NAE agents that will run on an AOS-CX switch?

- A. Use the web interface of the NetEdit server
- B. Use the web interface of the AOS-CX switch
- C. Use the web interface of Aruba Central
- D. Use the CLI of the AOS-CX switch

Show Suggested Answer





Actual exam question from HP's HPE6-A73

Question #: 59

Topic #: 1

[\[All HPE6-A73 Questions\]](#)

Which concept is implemented using Aruba's dynamic segmentation?

- A. Root of trust
- B. Device fingerprinting
- C. Zero Touch Provisioning
- D. Colorless port

Show Suggested Answer



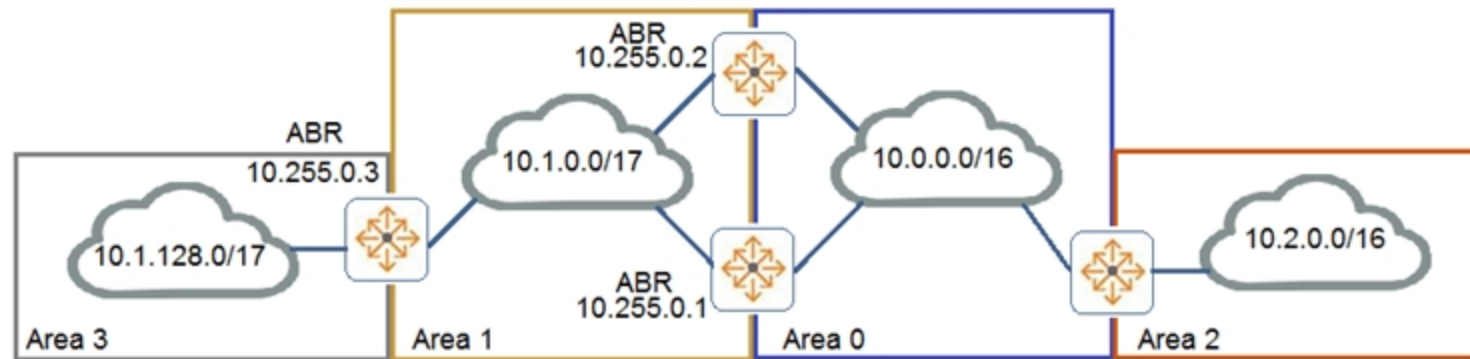
Actual exam question from HP's HPE6-A73

Question #: 60

Topic #: 1

[\[All HPE6-A73 Questions\]](#)

Examine the attached exhibit.



The network administrator is trying to add a remote location as area 3 to the network shown in the diagram. Based on current connection restrictions, the administrator cannot connect area 3 directly to area 0. The network is using AOS-CX switches.

Which feature should the administrator implement to provide connectivity to the remote location?

- A. Not-so-stubby areas
- B. Bidirectional forward detection (BFD)
- C. OSPFv3
- D. Virtual links

Show Suggested Answer

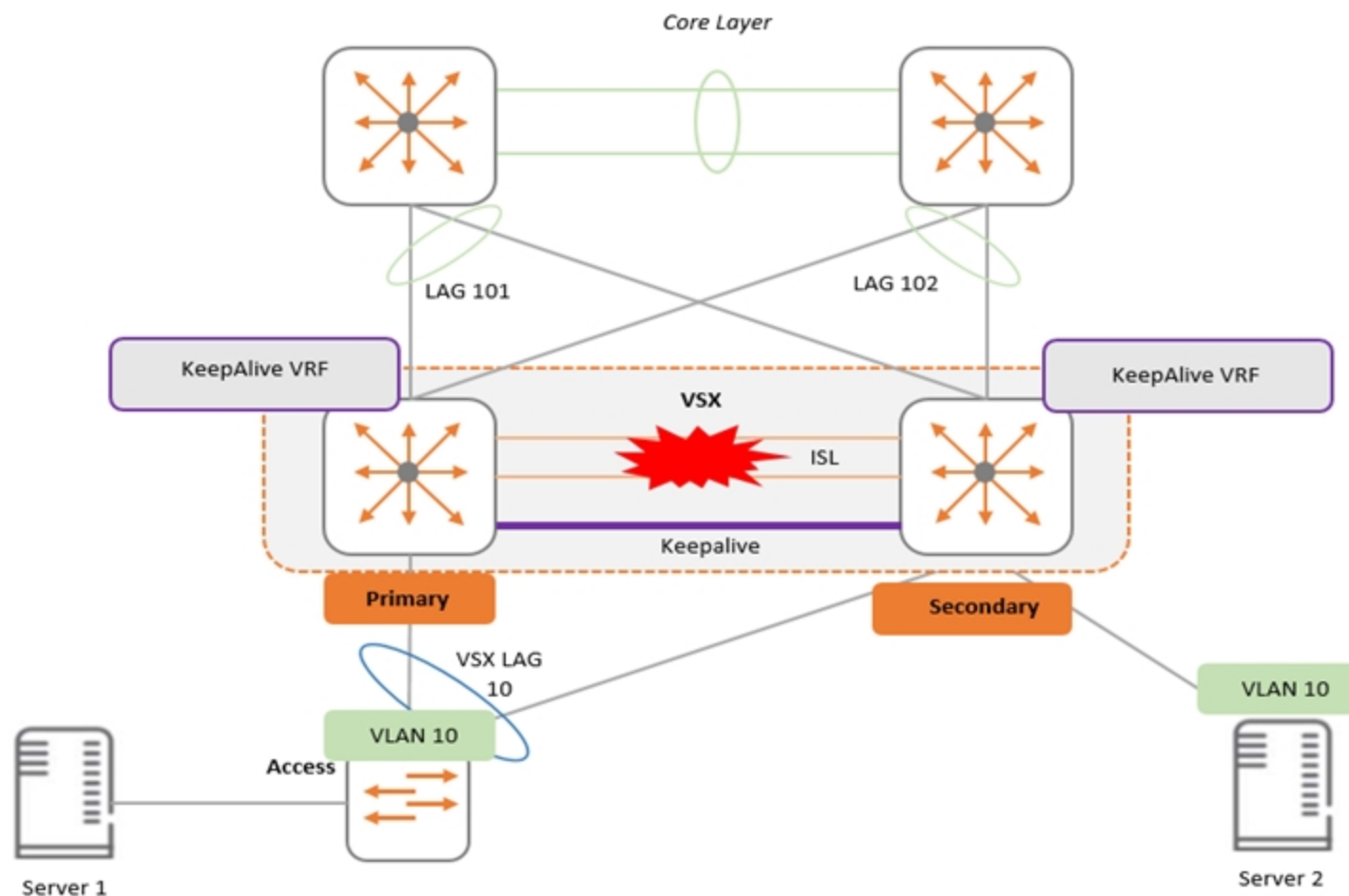
Actual exam question from HP's HPE6-A73

Question #: 61

Topic #: 1

[\[All HPE6-A73 Questions\]](#)

Examine the attached diagram -



Two AOS-CX switches are configured for VSX at the access layer, where servers attached to them. An SVI interface is configured for VLAN 10 and serves as the default gateway for VLAN 10. The ISL link between the switches fails, but the keepalive interface functions. Active gateway has been configured on the switches.

What is correct about access from the servers to the Core?

- A. Server 2 can successfully access the core layer via the keepalive link.
- B. Server 1 and Server 2 can communicate with each other via the core layer.
- C. Server 2 cannot access the core layer.
- D. Server 1 can access the core layer via both uplinks.

Show Suggested Answer



Actual exam question from HP's HPE6-A73

Question #: 62

Topic #: 1

[\[All HPE6-A73 Questions\]](#)

An administrator is configuring BGP and has two connections to a service provider to two different local routers.

Which BGP metric should the administrator configure to influence which local router the service provider will use to reach certain routes?

- A. Weight
- B. Multiple exit discriminator
- C. Local preference
- D. Origin

Show Suggested Answer



Actual exam question from HP's HPE6-A73

Question #: 63

Topic #: 1

[\[All HPE6-A73 Questions\]](#)

A network has an ABR that connects area 0 and 1. A network engineer configures a summarized route for area 0. The ABR is a designated router (DR) for the segment it uses to connect to area 1.

Which LSA type is assigned to this route when the summarized route is advertised into area 1 by the ABR?

- A. LSA 1
- B. LSA 4
- C. LSA 3
- D. LSA 2

Show Suggested Answer



Actual exam question from HP's HPE6-A73

Question #: 64

Topic #: 1

[\[All HPE6-A73 Questions\]](#)

A company uses NetEdit to manage a network of 700 AOS-CX switches and approximately 1,000 other SNMP-capable devices.

Which management solution should the company use to monitor all the devices, as well as see a topology picture of how all the devices are connected together?

- A. NetEdit
- B. Aruba AirWave
- C. Aruba Activate
- D. Network Analysis Engine (NAE)

Show Suggested Answer



Actual exam question from HP's HPE6-A73

Question #: 65

Topic #: 1

[\[All HPE6-A73 Questions\]](#)

An administrator is managing a network comprised of AOS-CX switches deployed at the aggregation layer. The switches are paired in a VSX stack and run the OSPF routing protocol. The administrator is concerned about how long it takes for OSPF to converge when one of the VSX switches has to reboot. What should the administrator do to speed up the OSPF convergence of the switch that is rebooting?

- A. Change the VSX ISL link from an OSPF broadcast link point-to-point.
- B. Implement graceful restart on the VSX switches and their neighboring OSPF switches.
- C. Decrease the VSX initial synchronization timer on the two VSX switches.
- D. Define non-backbone areas on the VSX switches as totally stubby areas.

Show Suggested Answer





Actual exam question from HP's HPE6-A73

Question #: 66

Topic #: 1

[\[All HPE6-A73 Questions\]](#)

A network administrator wants to replace older access layer switches with AOS-CX 6300 switches.
Which virtual switching technology can the administrator implement with this solution?

- A. Both VSF and VSX
- B. Only Backplane stacking
- C. Only VSF
- D. Only VSX

[Show Suggested Answer](#)





Actual exam question from HP's HPE6-A73

Question #: 67

Topic #: 1

[\[All HPE6-A73 Questions\]](#)

A network administrator is installing NetEdit. In order for NetEdit to manage the AOS-CX switches in the network, what must be defined on the AOS-CX switches?
(Choose two.)

- A. Enabling telnet
- B. Defining an admin user password
- C. Defining the https user-group
- D. Enabling the RESTful API for read and write access
- E. Enabling SFTP

Show Suggested Answer





Actual exam question from HP's HPE6-A73

Question #: 68

Topic #: 1

[\[All HPE6-A73 Questions\]](#)

What are best practices when implementing VSX on AOS-CX switches? (Choose two.)

- A. The ISL lag should use the default MTU size.
- B. Timers should be left at their default values.
- C. The default system MAC addresses should be used.
- D. The keepalive connection should use a direct layer-3 connection.
- E. The ISL lag should use at least 10GbE links or faster.

Show Suggested Answer





Actual exam question from HP's HPE6-A73

Question #: 69

Topic #: 1

[\[All HPE6-A73 Questions\]](#)

An administrator wants to implement dynamic segmentation policies. The network consists of AOS-CX and Aruba gateways.

Which type of forwarding should the administrator implement for users that already connect via wireless, but will also be connecting on Ethernet switch ports?

- A. User-based tunneling (UBT)
- B. Port-based tunneling (PBT)
- C. Switch-to-switch tunneling (SST)
- D. Local switching

Show Suggested Answer



Actual exam question from HP's HPE6-A73

Question #: 70

Topic #: 1

[\[All HPE6-A73 Questions\]](#)

Examine the partial output of the BGP routing table of an AOS-CX switch:

Switch# **show bgp**

<-output omitted->

Network	Nexthop	Metric	LocPrf	Weight	Path
* e 1.0.0.0/8	192.168.1.5	0	100	0	100 ?
* e 1.0.0.0/8	192.168.2.5	0	100	0	200 100 i
* e 1.0.0.0/8	192.168.3.5	0	200	20	300 400 100 ?
* e 1.0.0.0/8	192.168.4.5	0	50	0	400 200 100 i

The switch is learning about four possible path to reach the 1.0.0.0/8 network. Based on this output, which next-hop route will the AOS-CX select to be placed in the IP routing table?

- A. 192.168.1.5
- B. 192.168.2.5
- C. 192.168.3.5
- D. 192.168.4.5

Show Suggested Answer



Actual exam question from HP's HPE6-A73

Question #: 71

Topic #: 1

[\[All HPE6-A73 Questions\]](#)

What is correct regarding rate limiting and egress queue shaping on AOS-CX switches?

- A. Rate limiting and egress queue shaping can be used to restrict inbound traffic
- B. Limits can be defined only for broadcast and multicast traffic
- C. Rate limiting and egress queue shaping can be applied globally
- D. Traffic rate limit is configured on queue level

Show Suggested Answer



Actual exam question from HP's HPE6-A73

Question #: 72

Topic #: 1

[\[All HPE6-A73 Questions\]](#)

What is the correct way of associating a VRF instance to either a VLAN or an interface?

- A. Switch(config)# interface <interface-ID> Switch(config-if)# vlan access <VLAN-ID> vrf attach <vrf-name>
- B. Switch(config)# vlan <VLAN-ID> vrf attach < vrf-name >
- C. Switch(config)# vlan <VLAN-ID> Switch(config-vlan-<VLAN-ID># vrf attach < vrf-name >
- D. Switch(config)# vlan <VLAN-ID> vrf < vrf-name >

Show Suggested Answer





Actual exam question from HP's HPE6-A73

Question #: 73

Topic #: 1

[\[All HPE6-A73 Questions\]](#)

When an AOS-CX switch uses a temporary copy of the Configuration State database, what kind of analysis does NetEdit perform to ensure that the configuration is correct?

- A. Syntax validation
- B. Semantic validation
- C. Conformance validation
- D. Change validation

Show Suggested Answer





Actual exam question from HP's HPE6-A73

Question #: 74

Topic #: 1

[\[All HPE6-A73 Questions\]](#)

What must a network administrator implement in order to run an NAE script on an AOS-CX switch?

- A. Deployment
- B. Schedule
- C. Plan
- D. Agent

Show Suggested Answer





Actual exam question from HP's HPE6-A73

Question #: 75

Topic #: 1

[\[All HPE6-A73 Questions\]](#)

What is correct regarding policy-based routing?

- A. Policies can only be applied to routed interfaces.
- B. Policies can be applied inbound and outbound.
- C. Monitoring of policy interfaces occurs every 60 seconds.
- D. Policy actions include routing permitting or dropping traffic.

Show Suggested Answer





Actual exam question from HP's HPE6-A73

Question #: 76

Topic #: 1

[\[All HPE6-A73 Questions\]](#)

An administrator is supporting a network with the access layer consisting of AOS-CX 6300 and 6400 switches. The administrator needs to quickly deploy Aruba IAPs and security cameras in the network, ensuring that the correct QoS and VLAN settings are dynamically applied to the switch ports. Currently, switches are not configured to do device authentication, and no authentication server exists in the network.

Which AOS-CX feature should the administrator use to dynamically assign the policy settings to the correct switch ports?

- A. Device profiles
- B. Change of authorization
- C. Dynamic segmentation
- D. Voice VLANs

Show Suggested Answer

