

Actual exam question from HP's HPE0-V14

Question #: 1

Topic #: 1

[\[All HPE0-V14 Questions\]](#)

A security client needs a surveillance solution to support 239 Cameras. They expect to generate 2PB of data and require a 10Gb network infrastructure in a single rack.

Which solution should you recommend to meet the customer requirements?

- A. HPE Moonshot
- B. HPE MSA
- C. HPE Apollo Servers
- D. HPE SimpliVity 380

Show Suggested Answer



Actual exam question from HP's HPE0-V14

Question #: 2

Topic #: 1

[\[All HPE0-V14 Questions\]](#)

Refer to the exhibit.

Qty	Product Description
1	HPE StoreOnce 3620 24TB System
1	HPE StoreOnce Encryption E-LTU
1	HPE 3Y Foundation Care 24x7 SVC
1	HPE StoreOnce 3620 24TB System Support

A customer has been using VEEAM and the HPE StoreOnce 3620 shown in the exhibit to backup their environment. The customer's legal team has asked to double their retention times for all backup sets, and they are starting to run out of space on the StoreOnce.

Which options could you recommend that the customer add to their existing configuration to accommodate the new requirement? Each option represents a separate solution. (Choose two.)

- A. HPE StoreOnce Cloud Bank Storage
- B. HPE StoreOnce 3620 24TB Capacity Upgrade Kit
- C. HPE StoreOnce Gen4 16Gb Fibre Channel Network Card
- D. HPE StoreOnce Gen4 10/25Gb SFP Network Card
- E. HPE D3710 Storage Enclosure

Show Suggested Answer





Actual exam question from HP's HPE0-V14

Question #: 3

Topic #: 1

[\[All HPE0-V14 Questions\]](#)

A customer needs NFS access on a Fibre Channel array.

What must be included in the solution to meet this requirement?

- A. StoreEver
- B. Storage File Controller
- C. Smart Array Controller
- D. StoreOnce RMC

[Show Suggested Answer](#)



Actual exam question from HP's HPE0-V14

Question #: 4

Topic #: 1

[\[All HPE0-V14 Questions\]](#)

DRAG DROP -

Match each customer data center architecture to its network topology.

Select and Place:

Answer Area

Collapsed 1-Tier using IRF/VSX

Optimized L2 Fabric using IRF/VSX

Optimized L3 Fabric using IRF/VSX

Spine and leaf L3 ECMP using VXLAN and EVPN

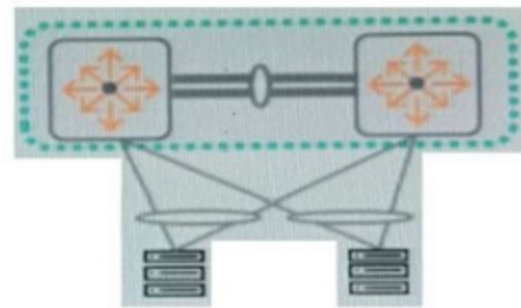


exhibit 12.31.41

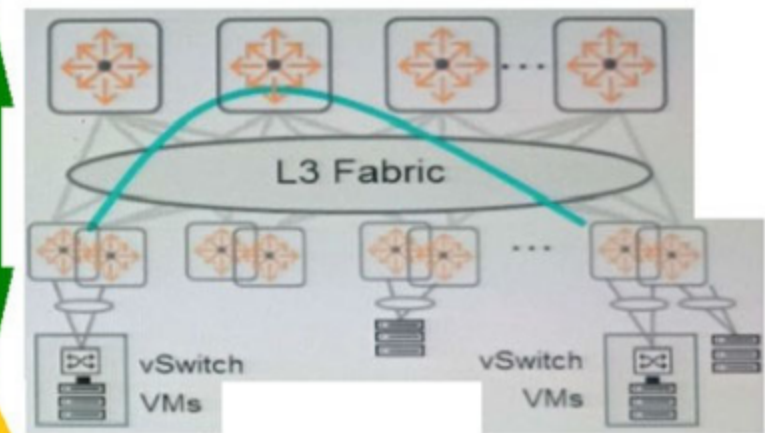


exhibit 12.28.91

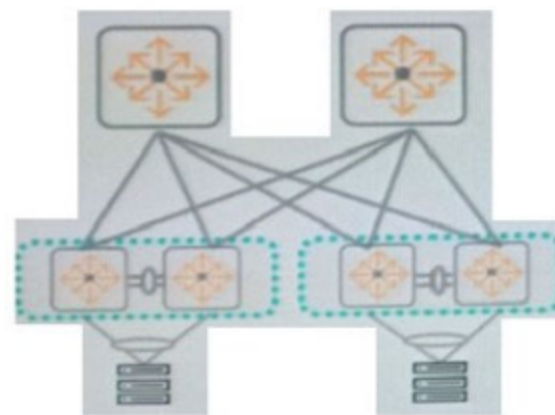


exhibit 12.04.58

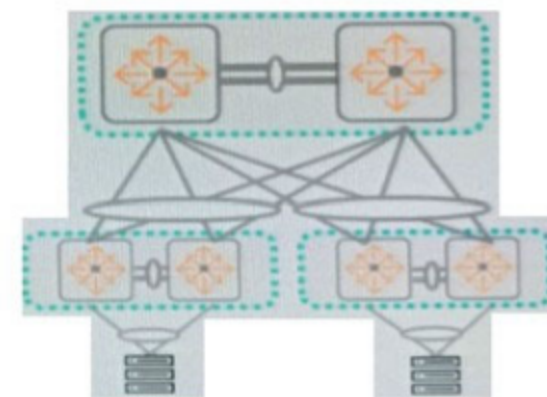


exhibit 12.43.25

Show Suggested Answer





Actual exam question from HP's HPE0-V14

Question #: 5

Topic #: 1

[\[All HPE0-V14 Questions\]](#)

What is the correct cable type to use when connecting a pair of switches using Long Range (LR) Transceivers?

- A. Direct Attach Cable (DAC)
- B. Twin-Ax
- C. Single Mode Fiber
- D. Multi-mode Fiber

Show Suggested Answer





Actual exam question from HP's HPE0-V14

Question #: 6

Topic #: 1

[\[All HPE0-V14 Questions\]](#)

When is it appropriate for a customer to implement HPE OneView Standard?

- A. To manage multiple servers
- B. To monitor their services
- C. To enable the Advanced iLO license
- D. To update firmware

Show Suggested Answer



Actual exam question from HP's HPE0-V14

Question #: 7

Topic #: 1

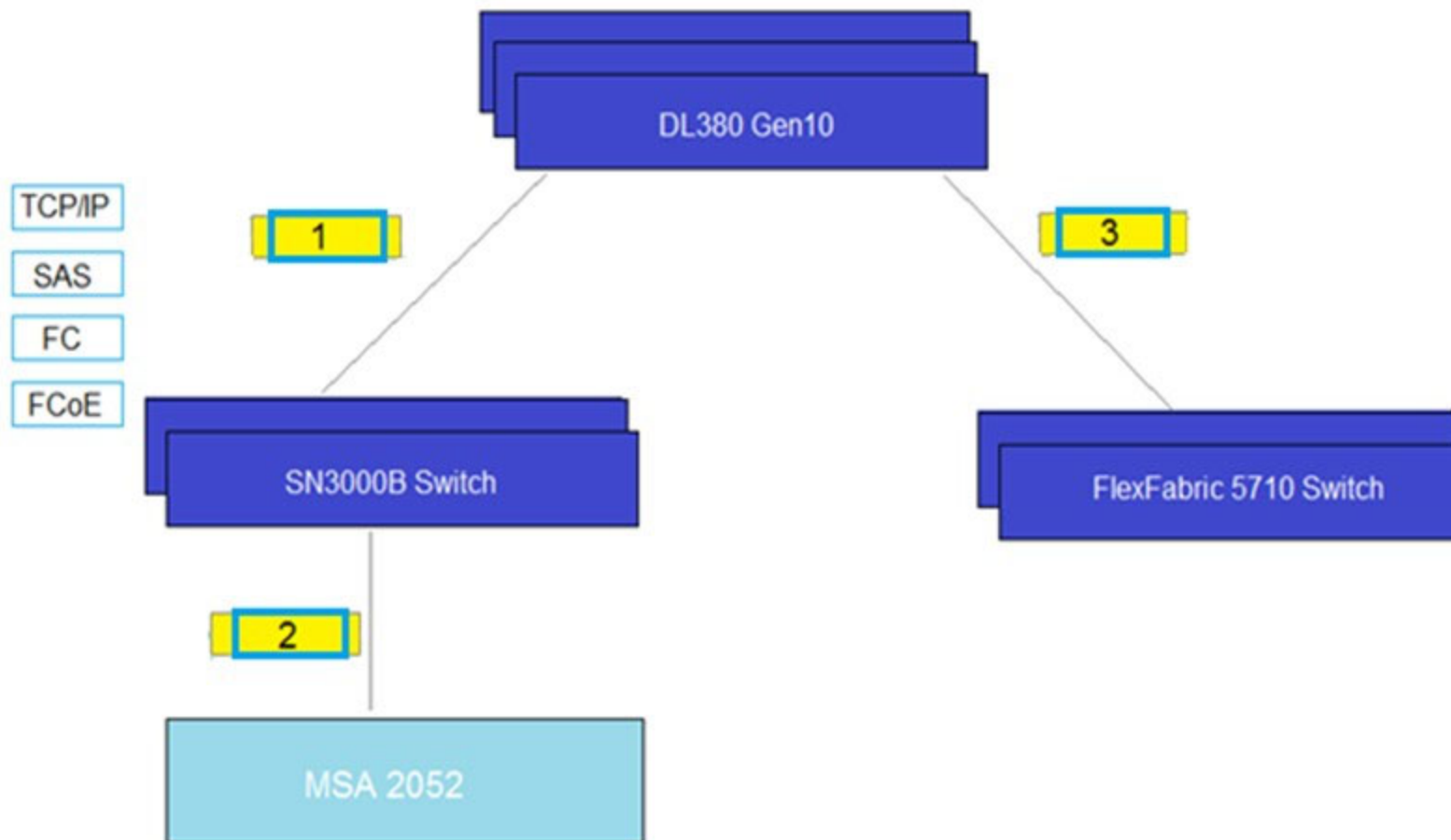
[\[All HPE0-V14 Questions\]](#)

DRAG DROP -

Drag the correct protocols from the left to their appropriate area on the topology.

Select and Place:

Answer Area



Show Suggested Answer



Actual exam question from HP's HPE0-V14

Question #: 8

Topic #: 1

[\[All HPE0-V14 Questions\]](#)

You are creating a configuration for a new Nimble HF40 array.

Which tool should you use to ensure that you include adequate cache in the configuration?

- A. HPE NinjaSTARS
- B. HPE Storage Sizer
- C. HPE OneView
- D. HPE SPOCK

Show Suggested Answer



Actual exam question from HP's HPE0-V14

Question #: 9

Topic #: 1

[\[All HPE0-V14 Questions\]](#)

DRAG DROP -

Match each characteristic to the appropriate RAID level.

Select and Place:

Answer Area

RAID level

Characteristic

Raid0	<input type="text"/>	double parity striped across all disks
Raid1	<input type="text"/>	if one disk fails, all data is lost
Raid5	<input type="text"/>	requires a minimum of 3 disk drives
Raid6	<input type="text"/>	requires 50% of raw capacity for fault protection

Show Suggested Answer





Actual exam question from HP's HPE0-V14

Question #: 10

Topic #: 1

[\[All HPE0-V14 Questions\]](#)

A customer needs a single, dual-processor server for an Enterprise Resource Planning solution for a single office. The customer application uses a mix of HDDs and SSDs and up to 3TB of RAM.

Which HPE Solution should you propose?

- A. HPE Synergy Solution
- B. HPE Apollo 2000 Server
- C. HPE ML350 Gen10
- D. HPE ML110 Gen10

Show Suggested Answer





Actual exam question from HP's HPE0-V14

Question #: 11

Topic #: 1

[\[All HPE0-V14 Questions\]](#)

What should you configure to limit the scope of broadcast domains in an Ethernet network?

- A. Trunks
- B. VSAN
- C. Static ARP
- D. VLAN

Show Suggested Answer





Actual exam question from HP's HPE0-V14

Question #: 12

Topic #: 1

[\[All HPE0-V14 Questions\]](#)

What is an access port on an Ethernet switch?

- A. A port that carries FCP frames inside the network
- B. A port that carries multiple VLANs
- C. A port that is connected to an FCF
- D. A port that carries untagged frames inside the network

Show Suggested Answer



Actual exam question from HP's HPE0-V14

Question #: 13

Topic #: 1

[\[All HPE0-V14 Questions\]](#)

DRAG DROP -

A customer is considering an upgrade of their networking infrastructure with HPE FlexFabric 5940 series switches.

Match the fan tray option with the airflow direction.

Select and Place:

Answer Area

Front to back

Back to front

HPE 58x0AF Power-to-Port Airflow Fan Tray

HPE 58x0AF Port-to-Power Airflow Fan Tray

HPE X711 Port-to-Power Airflow High Volume Fan Tray

HPE X712 Power-to-Port Airflow High Volume Fan Tray

Show Suggested Answer





Actual exam question from HP's HPE0-V14

Question #: 14

Topic #: 1

[\[All HPE0-V14 Questions\]](#)

You are validating a configuration prior to quoting it for the customer. You plan to propose the following configuration:

- ⇒ Two HPE DL380 Gen10 servers with dual processors, 256GB of memory, dual 10Gb NICs, SN1100Q 16Gb dual port FC HBA, dual 800W power supplies, and high temperature fan kit
- ⇒ HPE Nimble HF20H with 11TB storage, 960GB of cache, dual port 10GbE NIC, and 16Gb dual port FC adapter kit
- ⇒ Two SN3000B FC Switches

Which tool should you use to verify firmware compatibility between the storage and server components in this proposed solution?

- A. HPE NinjaSTARS
- B. HPE One Configuration Advanced
- C. HPE OneView Advanced
- D. HPE SPOCK

Show Suggested Answer





Actual exam question from HP's HPE0-V14

Question #: 15

Topic #: 1

[\[All HPE0-V14 Questions\]](#)

A Network administrator connects two switches together with multiple links of the same speed, duplex, and media type. The administrator expected the links to be aggregated, but they are not. The administrator confirmed that the ports are part of the appropriate link aggregation groups and that the permitted VLANs match.

Switch A has the lower LACP System Priority.

Which LACP operation states describe the failure above?

- A. Switch A: Active; Switch B: Active
- B. Switch A: Active; Switch B: Passive
- C. Switch A: Passive; Switch B: Passive
- D. Switch A: Passive; Switch B: Active

Show Suggested Answer



Actual exam question from HP's HPE0-V14

Question #: 16

Topic #: 1

[\[All HPE0-V14 Questions\]](#)

A customer has a VMware environment with HPE ProLiant servers and Nimble storage. They have been using a Windows VM to provide file services for their employees.

The customer is experiencing performance issues with the solution due to memory constraints on the virtual environment.

What could be added to the existing environment that will provide dedicated file services with better performance that would still utilize the existing storage and backup solutions?

- A. HPE StoreEver 30750
- B. HPE Storage Performance File Controller
- C. HPE StoreEasy 1460 Storage
- D. HPE StoreEasy 1650 Expanded Storage

Show Suggested Answer



Actual exam question from HP's HPE0-V14

Question #: 17

Topic #: 1

[\[All HPE0-V14 Questions\]](#)

Refer to the exhibit.

```
172.16.5.1 - PuTTY
K11-S14-A: admin> portshow 0/0/1
portIndex:    1
portName: port1
portHealth:   Fabric vision license not present. Please install the license and retry the operation.

Authentication: None
portDisableReason: None
portCFlags: 0x1
portFlags: 0x20b03 PRESENT ACTIVE F_PORT G_PORT U_PORT LOGICAL_ONLINE LOGIN NOELP ACCEPT FLOGI
LocalSwcFlags: 0x0
portType: 18.0
POD Port: Port is licensed
portState: 1 Online
Protocol: FC
portPhys: 6 In_Sync portScn: 32 F_Port
port generation number: 0
state transition count: 1

portId: 010100
portIfId: 43020015
portWwn: 20:01:c4:f5:7c:b3:25:e1
portWwn of device(s) connected:
    56:c9:ce:90:20:50:68:01
Distance: normal
portSpeed: N8Gbps

Credit Recovery: Inactive
Aoq: Inactive
FAA: Inactive
F_Trunk: Inactive
LE domain: 0
Peer beacon: Off
```

The information shown is displayed for a Nimble array you are installing. The customer's administrator has asked you for the speed at which the Nimble ports are connecting to their SAN switches, and you have run the command shown to determine the number of gigabits per second used by this port connection.

What speed does the exhibit indicate is in use?

- A. 18
- B. 32
- C. 6
- D. 8

Show Suggested Answer





Actual exam question from HP's HPE0-V14

Question #: 18

Topic #: 1

[\[All HPE0-V14 Questions\]](#)

An HPE customer wants to perform a simplified update of firmware and drivers among their 100 HPE Gen9 and Gen10 racked servers. Which HPE software tool should the customer use to minimize the time required to perform this activity.

- A. HPE Smart Update Manager
- B. HPE OneView Standard
- C. HPE ProLiant Support Pack
- D. HPE iLO Amplifier Pack

[Show Suggested Answer](#)





Actual exam question from HP's HPE0-V14

Question #: 19

Topic #: 1

[\[All HPE0-V14 Questions\]](#)

A customer wants to install an HPE Proliant server that has a single dual port 10Gb NIC.

Which NIC feature should you introduce to allow each 10Gb port to be seen as four individual adapters in the operating system?

- A. NPAR
- B. RoCE
- C. FCoE
- D. RDMA

[Show Suggested Answer](#)



Actual exam question from HP's HPE0-V14

Question #: 20

Topic #: 1

[\[All HPE0-V14 Questions\]](#)

A retail company recently implemented a Video surveillance solution. They now need an MSA storage solution with 100TB capacity. They want to be able to add more disk capacity if needed.

Which HPE tool can help you choose a storage solution, determine the total usable capacity, and create a BOM?

- A. HPE SPOCK
- B. HPE NinjaSTARS
- C. HPE Storage Sizing Tool
- D. HPE One Config Advanced

Show Suggested Answer





Actual exam question from HP's HPE0-V14

Question #: 21

Topic #: 1

[\[All HPE0-V14 Questions\]](#)

What is a feature of the MSA 1050 that will help your Storage Customer better utilize storage resources?

- A. block, file, and object access
- B. Triple+ parity RAID
- C. Automated Tiering
- D. 99.9999% guaranteed availability

Show Suggested Answer





Actual exam question from HP's HPE0-V14

Question #: 22

Topic #: 1

[\[All HPE0-V14 Questions\]](#)

A customer requires a management solution that will provide email notifications if hardware errors occur on their servers.

Which management solution provides this functionality?

- A. UEFI System Configuration
- B. iLO Advanced Edition
- C. HPE SUM
- D. HPE SUT

Show Suggested Answer



Actual exam question from HP's HPE0-V14

Question #: 23

Topic #: 1

[\[All HPE0-V14 Questions\]](#)

DRAG DROP -

Match each adapter to its characteristic.

Select and Place:

Answer Area

Adapter

Characteristic

FlexLOM

provide RAID configuration using disks internal to the server

FlexFabric

allow choice of network interface on the motherboard

Smart Array

connect to native Fibre Channel SAN with a PCIe adapter

HBA

connect to a Fibre Channel over Ethernet (FCoE)
SAN environment with a PCIe adapter

Show Suggested Answer



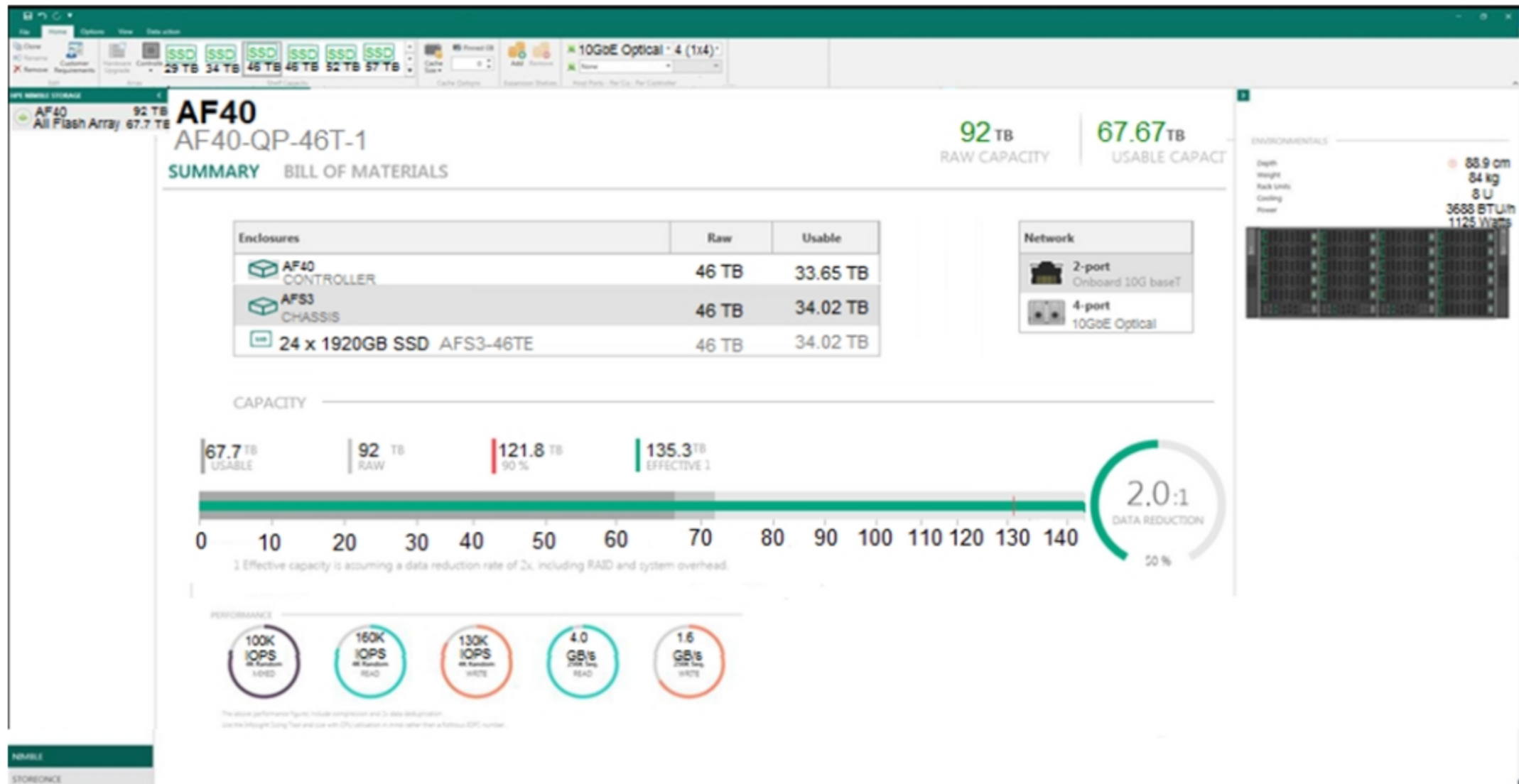
Actual exam question from HP's HPE0-V14

Question #: 24

Topic #: 1

[\[All HPE0-V14 Questions\]](#)

Refer to the exhibit.



You are designing a new Nimble AF40 for your customer. The array will be added into an existing Nimble HF60 environment connected with SN6000B switches.

You have created the configuration shown in the exhibit and noticed an error.

What should you change in your configuration to ensure it meets the customer requirements?

- A. Change the controller to an AF20.
- B. Change the 10GbE Optical ports to Fibre Channel.
- C. Change the 10GbE Optical ports to 10BaseT.
- D. Change the controller to an HF20H.

Show Suggested Answer

Actual exam question from HP's HPE0-V14

Question #: 25

Topic #: 1

[\[All HPE0-V14 Questions\]](#)

A customer has requested that you provide them with an architecture and bill-of-materials for a stack of top-of-rack switches. The customer has 34 HPE DL360 servers in the rack, each with four 1GBASE-T Ethernet ports which need to be connected to the network.

The customer is upgrading 50% of the 1GBASE-T Ethernet ports on the servers to 10GBASE-T Ethernet ports and needs the switching to support the upgraded servers.

They are opposed to a chassis switch, and want to keep the number of managed devices on the network to a minimum.

Which architecture meets the customer requirements?

- A. One VSX stack of four Aruba 8320 48-port 1/10GBASE-T switches
- B. Two IRF stacks of two HPE 5710 48-port 1/10GBASE-T switches
- C. One IRF stack of four HPE 5710 48-port 1/10GBASE-T switches
- D. Two VSX stacks of two Aruba 8320 48-port 1/10GBASE-T switches

Show Suggested Answer



Actual exam question from HP's HPE0-V14

Question #: 26

Topic #: 1

[\[All HPE0-V14 Questions\]](#)

A client complains about systems reliability issues caused by their staff's inability to identify the root cause of failures. The client's lead administrator wants to automatically send data from HPE OneView to additional listeners in the network.

What should you configure in HPE OneView to enable the external monitoring of the managed devices?

- A. Configure a scope to include the listener.
- B. Configure SNMP Trap Forwarding.
- C. Configure scheduled reports to export the data to the listener.
- D. Configure the listener as a managed device.

Show Suggested Answer



Actual exam question from HP's HPE0-V14

Question #: 27

Topic #: 1

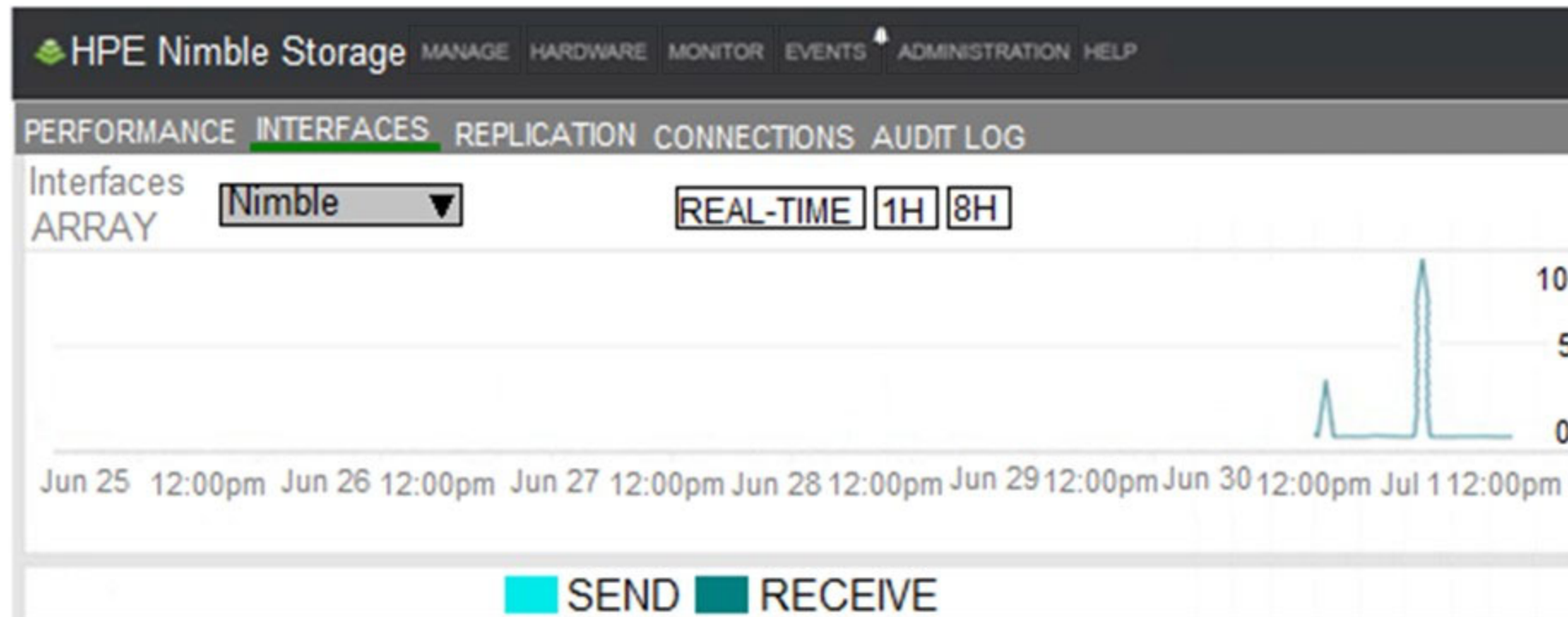
[\[All HPE0-V14 Questions\]](#)

HOTSPOT -

You need to review a warning on a Nimble storage array.

Click on the menu option that displays this information.

Hot Area:



Show Suggested Answer



Actual exam question from HP's HPE0-V14

Question #: 28

Topic #: 1

[\[All HPE0-V14 Questions\]](#)

DRAG DROP -

Indicate whether each management feature manages or monitors a single system or multiple systems.

Select and Place:

Answer Area

	<input type="text"/>	HPE 3PAR SSMC
Managing/Monitoring a Single System	<input type="text"/>	HPE OneView Global Dashboard
Managing/Monitoring Multiple Systems	<input type="text"/>	HPE Intelligent Provisioning
	<input type="text"/>	HPE Smart Storage Administrator

Show Suggested Answer



Actual exam question from HP's HPE0-V14

Question #: 29

Topic #: 1

[\[All HPE0-V14 Questions\]](#)

Which backup targets are available from an HPE StoreOnce backup system? (Choose two.)

- A. VTL
- B. Catalyst
- C. NVMe
- D. S3
- E. iSCSI

Show Suggested Answer





Actual exam question from HP's HPE0-V14

Question #: 30

Topic #: 1

[\[All HPE0-V14 Questions\]](#)

What is the most important difference between an HPE ProLiant DL380 Gen10 server and an HPE ProLiant DL385 Gen10 server?

- A. Disk Drives
- B. Power Supplies
- C. Network Cards
- D. Processors

Show Suggested Answer



Actual exam question from HP's HPE0-V14

Question #: 31

Topic #: 1

[\[All HPE0-V14 Questions\]](#)

A customer is planning to deploy a branch office server rack. The environment will have the following requirements:

- ⇒ Single rack with 20 HPE ProLiant DL360 Gen10 Servers.
- ⇒ Each Server will have 6 x 10G SFP+ Ports.
- ⇒ Each Server will have a dedicated iLO port.
- ⇒ The customer requires that only two switches be used.
- ⇒ The customer requires separate control planes.

Which switch configuration can meet these requirements?

- A. 2 – HPE 5945 Series switch with IRF
- B. 2 – Aruba 8325 Series switches with VSX
- C. 2 – HPE 5945 Series switches standalone
- D. 2 – Aruba 8325 Series switches with backplane stacking.

Show Suggested Answer



Actual exam question from HP's HPE0-V14

Question #: 32

Topic #: 1

[\[All HPE0-V14 Questions\]](#)

HPE Support asks you to generate an SSD wear gauge report for local storage on an HPE DL360 Gen10 server running VMware.

Which procedure will ensure that the server will boot directly into a maintenance state so you can generate the requested report?

- A. Changing the one-time boot option to Smart Storage Administrator in iLO web-based user interface
- B. Use Always On functionality of Intelligent Provisioning
- C. Changing the one-time boot option to Intelligent Provisioning in iLO web-based user interface
- D. Click Boot to System Setup Utilities in iLO web-based user interface
- E. Changing the one-time boot option to Intelligent Provisioning in HPE OneView

Show Suggested Answer



Actual exam question from HP's HPE0-V14

Question #: 33

Topic #: 1

[\[All HPE0-V14 Questions\]](#)

DRAG DROP -

A customer needs a new VMware environment for a critical stock trading application and will need high performance compute and low latency storage.

Identify the correct component configurations on the left and drag them to the answer area on the right. (Choose two.)

Select and Place:

Options

Answer Area

Two HPE DL380 Gen10 servers with two Intel Xeon-Bronze 3104 processors, 64GB of memory, two dual 10Gb NICs, dual 800W power supplies, and high temperature fan kit.

Two HPE DL380 Gen10 servers with two Intel Xeon-Platinum 8270 processors, 256GB of memory, two dual 10Gb NICs, dual 800W power supplies, and high temperature fan kit.

HPE Nimble HF20H with 11TB storage, 960GB of cache, and dual port 10GbE NIC

HPE Nimble AF20 with 11TB storage, and dual port 10GbE NIC



Show Suggested Answer



Actual exam question from HP's HPE0-V14

Question #: 34

Topic #: 1

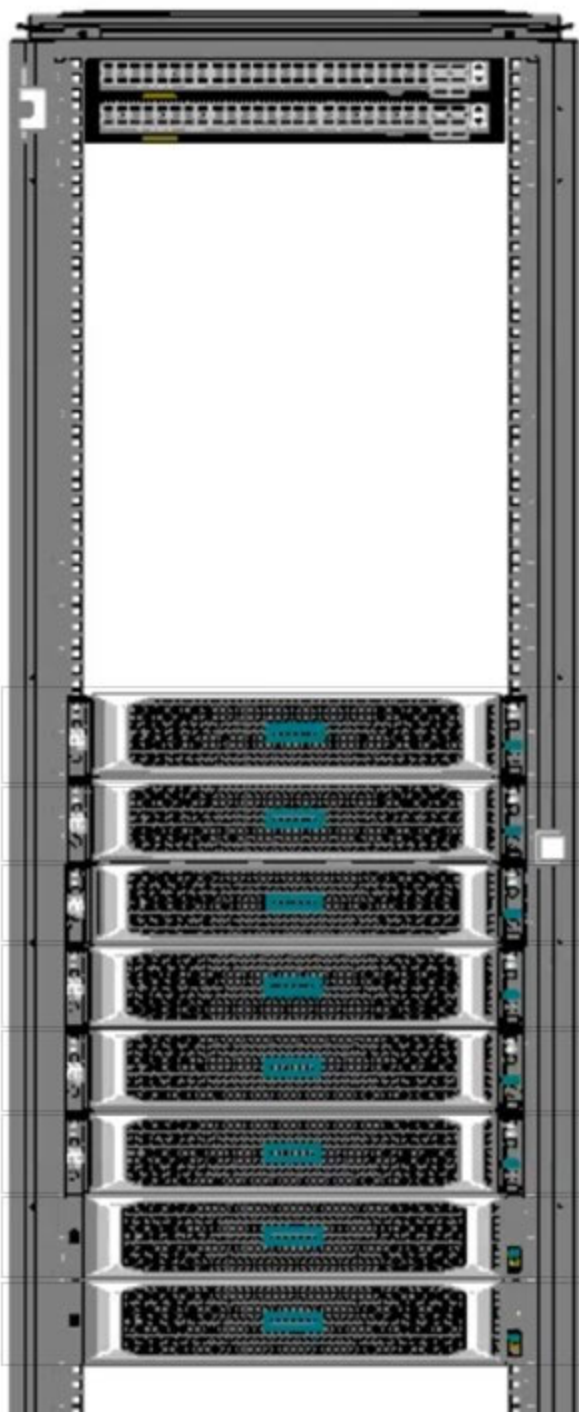
[\[All HPE0-V14 Questions\]](#)

HOTSPOT -

A solution integrator is installing new equipment to the rack.

Click the recommended location for HPE R/T3000 Extended Runtime Module.

Hot Area:



Show Suggested Answer





Actual exam question from HP's HPE0-V14

Question #: 35

Topic #: 1

[\[All HPE0-V14 Questions\]](#)

Which HPE solution brings together CPU, Memory, and Disk with an unpredictable workload into a single management infrastructure?

- A. dHCI
- B. SimpliVity
- C. Nimble
- D. Primera

Show Suggested Answer





Actual exam question from HP's HPE0-V14

Question #: 36

Topic #: 1

[\[All HPE0-V14 Questions\]](#)

Which protocol can be used to access a shared directory on a network-attached storage device?

- A. SNMP
- B. SMB
- C. FCP
- D. BGP

Show Suggested Answer



Actual exam question from HP's HPE0-V14

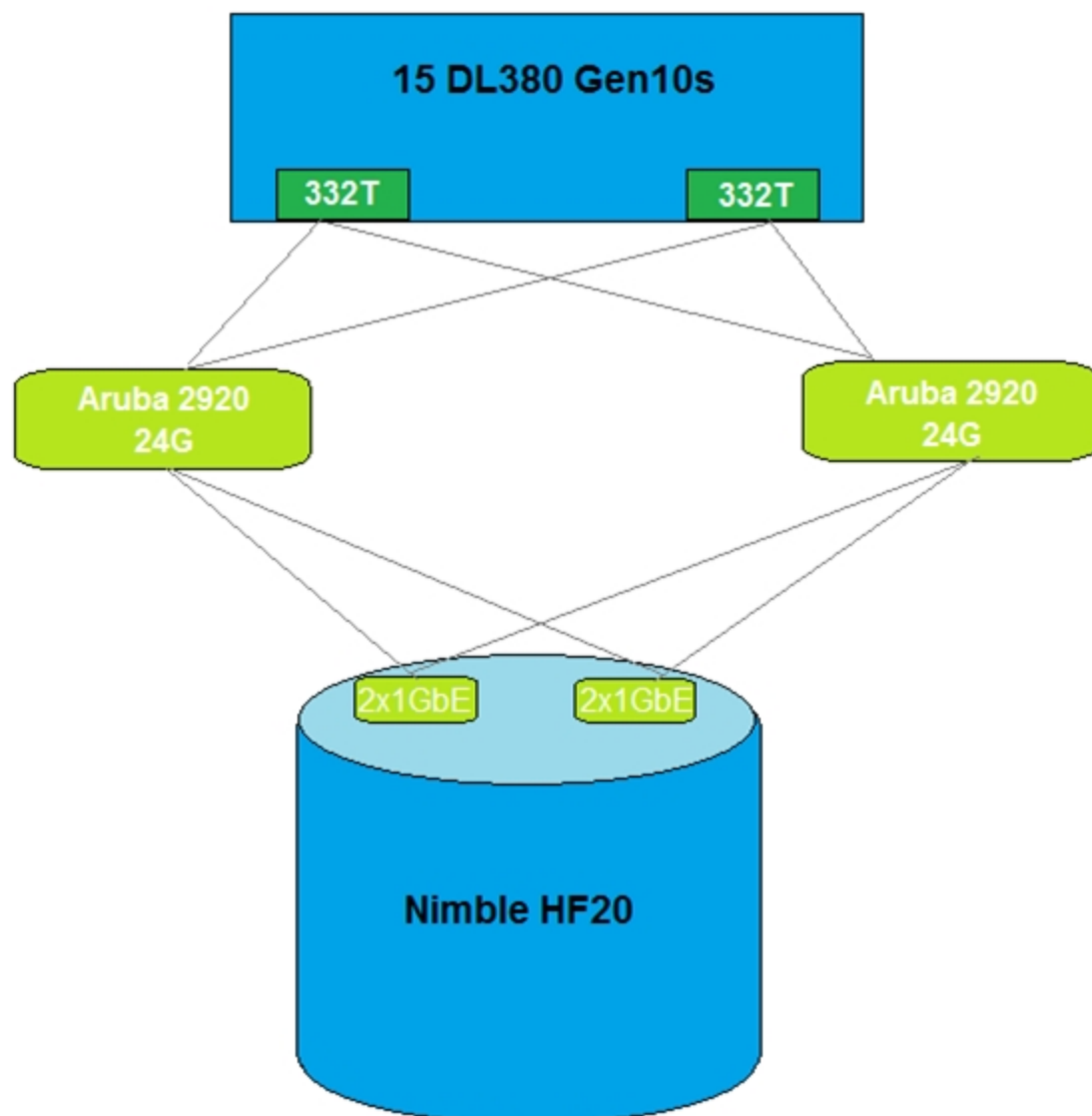
Question #: 37

Topic #: 1

[\[All HPE0-V14 Questions\]](#)

DRAG DROP -

Refer to the exhibit.



A customer purchased a server/storage environment shown in the exhibit with 1 Gb networking connectivity.

The customer is now experiencing performance issues.

Identify the correct components to upgrade the network connections and improve performance on the left. Then drag those components to the answer area on the right.

(Choose three.)

Select and Place:

Options

HPE FlexFabric 5710 24XGT Switch

Aruba 3810M 24SFP+ Switch

HPE Nimble Storage 2x16Gb Fibre Channel 2-port FIO Adapter Kit

HPE Nimble Storage 2x10GBASE-T 2-port FIO Adapter Kit

HPE Ethernet 10Gb 2-port 535T Adapter

HPE Ethernet 10Gb 2-port 524SFP+ Adapter

Answer Area



Show Suggested Answer



Actual exam question from HP's HPE0-V14

Question #: 38

Topic #: 1

[\[All HPE0-V14 Questions\]](#)

A customer needs a virtual desktop infrastructure environment to quickly deploy new desktop images to more than 70 onsite contractors. They plan to use HPE ProLiant DL360 Gen10 servers running VMware ESXi connected to a shared storage device. The customer requires deduplication because they are concerned about the required storage capacity for the full clone images.

Which storage device would best address their concerns?

- A. HPE MSA 1040
- B. HPE MSA 2052
- C. HPE Nimble AF20
- D. HPE Nimble HF20C

Show Suggested Answer



Actual exam question from HP's HPE0-V14

Question #: 39

Topic #: 1

[\[All HPE0-V14 Questions\]](#)

Refer to the exhibit.

Qty	Product#	Product Description
1	868703-B21	HPE ProLiant DL380 Gen10 8SFF Configure-to-order Server
1	868703-B21 B19	HPE DL380 Gen10 8SFF CTO Server
1	826860-L21	HPE DL380 Gen10 Intel Xeon-Gold 6144 (3.5GHz/8-core/150W) FIO Processor Kit
1	826860-B21	HPE DL380 Gen10 Intel Xeon-Gold 6144 (3.5GHz/8-core/150W) Processor Kit
12	815100-B21	HPE 32GB (1x32GB) Dual Rank x4 DDR4-2666 CAS-19-19-19 Registered Smart Memory Kit
2	870757-B21	HPE 600GB SAS 12G Enterprise 15K SFF(2.5in) SC 3yr Wty Digitally Signed Firmware HDD
2	727055-B21	HPE Ethernet 10Gb 2-port 562SFP+ Adapter
1	P01366-B21	HPE 96W Smart Storage Battery (up to 20 Devices) with 145mm Cable Kit
1	804331-B21	HPE Smart Array P408i-a SR Gen10 (8 Internal Lanes/2GB Cache) 12G SAS Modular Controller
2	865408-B21	HPE 500W Flex Slot Platinum Hot Plug Low Halogen Power Supply Kit
1	BD505A	HPE iLO Advanced 1-server License with 3yr Support on iLO Licensed Features
1	P8B31A	HPE OneView w/o iLO including 3yr 24x7 Support 1-server FIO LTU
1	733660-B21	HPE 2U Small Form Factor Easy Install Rail Kit

A customer needs a server with four 10Gb network adapters. They need it to be configured for the best possible network throughput. Given the BOM in the exhibit, what do you need to add to this server to meet the customer requirement?

- A. Workload Accelerator
- B. SSD Drives
- C. Smart Storage Hybrid Capacitor
- D. Secondary Riser Kit

Show Suggested Answer

Actual exam question from HP's HPE0-V14

Question #: 40

Topic #: 1

[\[All HPE0-V14 Questions\]](#)

DRAG DROP -

A customer needs a new environment to support an ERP system. The sizing information you received shows the following requirements:

- ⇒ 3 servers with dual AMD processors, 256GB RAM, and 10Gb network connectivity
- ⇒ 10TB of high performance shared storage
- ⇒ Cloud-based performance monitoring and analytics

The customer prefers rack mounted equipment.

Identify the components that will meet the customer requirements, then drag the correct components on the left to their appropriate location in the environment on the right.

Select and Place:

Answer Area

DL385 Gen10

DL380 Gen10

ML110 Gen10

SN3000B Switch

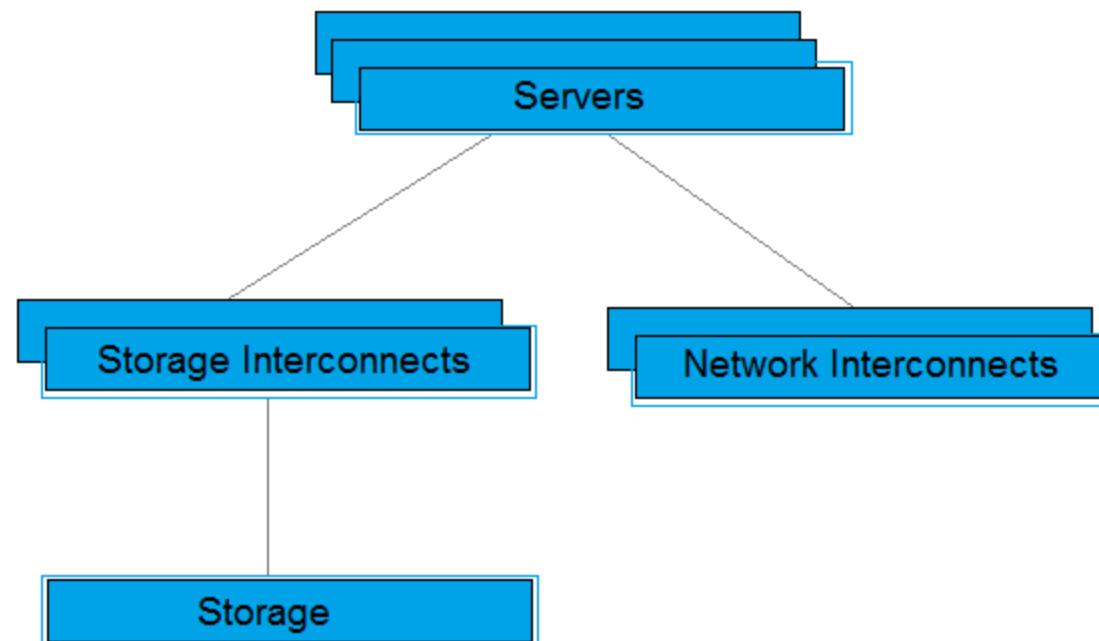
FlexFabric 5710 Switch

OfficeConnect 1850 6XGT Switch

Nimble AF20, with 10GbE

MSA2052, with 10GbE

D3000



Show Suggested Answer



Actual exam question from HP's HPE0-V14

Question #: 41

Topic #: 1

[\[All HPE0-V14 Questions\]](#)

A customer needs a shared storage solution for a virtualization platform that will host a database application. The customer is considering an HPE Nimble array. Which feature would lead you to propose an HPE Nimble AF40 over an HPE 3PAR All Flash array?

- A. Fibre Channel Connectivity
- B. 10Gb iSCSI support
- C. Supported by Infosight for predictive analytics
- D. Predictable performance event with one failed controller

Show Suggested Answer





Actual exam question from HP's HPE0-V14

Question #: 43

Topic #: 1

[\[All HPE0-V14 Questions\]](#)

A customer needs to verify inbound packet statistics for interface Ten-GigabitEthernet 1/0/10 on an HPE FlexFabric 5900 series switch used by an iSCSI storage array.

Which command can be used in the CLI to perform this operation?

- A. show inbound counters port 1/0/10
- B. display counters inbound interface Ten-GigabitEthernet 1/0/10
- C. display all statistics from port 1/0/10
- D. interface Ten-GigabitEthernet 1/0/10 show counters

Show Suggested Answer





Actual exam question from HP's HPE0-V14

Question #: 44

Topic #: 1

[\[All HPE0-V14 Questions\]](#)

What is a primary benefit of DAS?

- A. It takes advantage of Common Internet File System (CIFS).
- B. It is presented as an iSCSI LUN to the attached server.
- C. It can be accessed by both server and non-server devices simultaneously.
- D. It is connected directly to a server.

Show Suggested Answer



Actual exam question from HP's HPE0-V14

Question #: 45

Topic #: 1

[\[All HPE0-V14 Questions\]](#)

Refer to the exhibit.

```
admin> cfgshow
```

```
Defined configuration:
```

```
cfg:      zone_cfg_1
          nimble_esx_1_zone
zone:     nimble_esx_1_zone
          ESX1; NIMBLE1A
alias:    ESX1 51:40:2e:c0:11:0b:a4:c0
alias:    NIMBLE1A
          56:c9:ce:90:20:50:68:01
```

```
Effective configuration:
```

```
cfg:      zone_cfg_1
zone:     nimble_esx_1_zone
          51:40:2e:c0:11:0b:a4:c0
          56:c9:ce:90:20:50:68:01
```

When performing a code upgrade on an HPE Nimble array, you noticed a connection failure on ESX1. Refer to the exhibit showing the complete zoning configuration of one of the HPE SN3000B switches.

What should you do to ensure storage access is not interrupted when doing the next update?

- A. Create and ISL between the two HPE SN3000B switches.
- B. Create a new zone for ESX1 and the second storage controller.
- C. Change the timeout values on the SN3000B switch.
- D. Configure the same zone on a second HPE SN3000B.

Show Suggested Answer

Actual exam question from HP's HPE0-V14

Question #: 46

Topic #: 1

[\[All HPE0-V14 Questions\]](#)

DRAG DROP -

Match each characteristic to the correct storage type.

Select and Place:

Answer Area

- | | | |
|---------------|----------------------|--|
| DAS | <input type="text"/> | Allows access to volumes over FCP and iSCSI protocols |
| NAS | <input type="text"/> | Ability to share file-based storage across an Ethernet network |
| Storage Array | <input type="text"/> | Allows shared block level access over a network |
| | <input type="text"/> | JBOD storage connected to one server using SAS |

Show Suggested Answer

Actual exam question from HP's HPE0-V14

Question #: 47

Topic #: 1

[\[All HPE0-V14 Questions\]](#)

DRAG DROP -

Match the characteristic to the correct HPE ProLiant family.

Select and Place:

Answer Area

maximum 2 processors

DL maximum 4 processors

ML rack optimized

tower or rack

Show Suggested Answer



Actual exam question from HP's HPE0-V14

Question #: 48

Topic #: 1

[\[All HPE0-V14 Questions\]](#)

You have configured a port on an HPE FlexFabric 5900 series switch that is connected to a VMware ESXi server to support multiple VLANs.

```
interface Ten-GigabitEthernet 1/0/11 description server ESXi01 -eth1 port link-type trunk
port trunk permit vlan 50 port trunk permit vlan 2 port trunk pvid vlan 50
```

Given the configuration above, what should happen to any of the untagged traffic coming from the VMware ESXi host?

- A. The untagged traffic will be dropped.
- B. The untagged traffic will be transmitted in vlan 2.
- C. The untagged traffic will be transmitted in vlan 50.
- D. The untagged traffic will be transmitted in vlan 1.

Show Suggested Answer





Actual exam question from HP's HPE0-V14

Question #: 49

Topic #: 1

[\[All HPE0-V14 Questions\]](#)

DRAG DROP -

Match the speed and protocol with the appropriate component.

Select and Place:

Component		Speed and Protocol
SFP+	<input type="text"/>	10GbE
QSFP28	<input type="text"/>	12Gb SAS
Mini-SAS HD 4x	<input type="text"/>	100GbE

Show Suggested Answer





Actual exam question from HP's HPE0-V14

Question #: 50

Topic #: 1

[\[All HPE0-V14 Questions\]](#)

DRAG DROP -

Match each HPE solution to its optimal use case.

Select and Place:

Answer Area

HPE Solution

Use Case

HPE Proliant
Microserver

General Purpose Computing, Virtualization
Clusters, Enterprise Applications

HPE Proliant
ML/DL

NAS Storage, File Sync and Share for
Remote/Mobile users

HPE StoreEasy

Remote Office, Low Cost, Quiet Operation,
Office environment

HPE StoreOnce

Space-efficient Backups, Backup Replication,
Cloud-based Archiving

Show Suggested Answer





Actual exam question from HP's HPE0-V14

Question #: 51

Topic #: 1

[\[All HPE0-V14 Questions\]](#)

Which hardware and software components make up a Nimble dHCI infrastructure?

- A. HPE M-Series switch, HPE ProLiant DL servers, HPE Nimble, and VMware
- B. Aruba Switches, HPE Synergy, HPE Nimble, and VMware
- C. HPE M-Series switch, HPE ProLiant DL servers, HPE Nimble, and Hyper-V
- D. Aruba Switches, HPE Synergy, HPE Nimble, and Hyper-V

Show Suggested Answer





Actual exam question from HP's HPE0-V14

Question #: 52

Topic #: 1

[\[All HPE0-V14 Questions\]](#)

A customer just purchased a ProLiant 300 series Gen10 server and wants to install the latest version of Windows.

Which feature of this server will assist the customer with the initial Windows installation?

- A. HPE SSA Diagnostics
- B. HPE SmartStart
- C. Smart Storage Administrator
- D. Intelligent Provisioning

Show Suggested Answer



Actual exam question from HP's HPE0-V14

Question #: 53

Topic #: 1

[\[All HPE0-V14 Questions\]](#)

Refer to the exhibit.

```
<Switch-A>display int Ten-GigabitEthernet 1/0/1 Ten-GigabitEthernet1/0/1 Current state: UP  
Line protocol state: UP IP packet frame type: Ethernet II, hardware address: d894-03fb-793d  
Description: Ten-GigabitEthernet1/0/1 Interface Bandwidth: 10000000 kbps Loopback is not  
set Media type is stack wire, port hardware type is STACK_SFP_PLUS 10Gbps-speed mode, full-  
duplex mode Link speed type is autonegotiation, link duplex type is autonegotiation Flow-  
control is not enabled Maximum frame length: 10000 Allow jumbo frames to pass Broadcast  
max-ratio: 100% Multicast max-ratio: 100% Unicast max-ratio: 100% PVID: 1 MDI type:  
Automdix Port link-type: Trunk VLAN Passing: 10, 20 VLAN permitted: 10, 20 Trunk port  
encapsulation: IEEE 802.1q Port priority: 0 <SNIP>
```

An administrator connected a hypervisor to interface Ten-GigabitEthernet1/0/1 in a switch. The administrator created virtual machines in VLAN 10 and 20 on the hypervisor. VLAN 10 is configured to be tagged, and VLAN 20 is configured to be untagged on the hypervisor.

The administrator found that all the virtual machines in VLAN 20 can communicate with each other, but not with any virtual machines on VLAN 20 external to the hypervisor.

Given the output in the exhibit, what should you do to resolve the issue?

- A. Permit VLAN 1 on the interface.
- B. Configure the PVID of the interface to be VLAN 20.
- C. Configure the interface as an access port.
- D. Configure the interface as an IRF port.

Show Suggested Answer

Actual exam question from HP's HPE0-V14

Question #: 54

Topic #: 1

[\[All HPE0-V14 Questions\]](#)

Refer to the exhibit.

Processor Option Kits (Required Processor)

2nd Generation Intel Xeon-Platinum

HPE DL380 Gen10 Intel Xeon-Platinum 8280M (2.7GHz/28-core/205W) FIO Processor Kit

NOTE: Ships with Performance Heatsink

HPE DL380 Gen10 Intel Xeon-Platinum 8280L (2.7GHz/28-core/205W) FIO Processor Kit

NOTE: Ships with Performance Heatsink

HPE DL380 Gen10 Intel Xeon-Platinum 8280 (2.7GHz/28-core/205W) FIO Processor Kit

NOTE: Ships with Performance Heatsink

HPE DL380 Gen10 Intel Xeon-Platinum 8276M (2.2GHz/28-core/165W) FIO Processor Kit

NOTE: Ships with Performance Heatsink

HPE DL380 Gen10 Intel Xeon-Platinum 8276L (2.2GHz/28-core/165W) FIO Processor Kit

NOTE: Ships with Performance Heatsink

HPE DL380 Gen10 Intel Xeon-Platinum 8276 (2.2GHz/28-core/165W) FIO Processor Kit

NOTE: Ships with Performance Heatsink

HPE DL380 Gen10 Intel Xeon-Platinum 8270 (2.7GHz/26-core/205W) FIO Processor Kit

NOTE: Ships with Performance Heatsink

HPE DL380 Gen10 Intel Xeon-Platinum 8268 (2.9GHz/24-core/205W) FIO Processor Kit

NOTE: Ships with Performance Heatsink

HPE DL380 Gen10 Intel Xeon-Platinum 8260Y (2.4GHz/24-20-16-core/165W) FIO Processor Kit

NOTE: Ships with Performance Heatsink

HPE DL380 Gen10 Intel Xeon-Platinum 8260M (2.4GHz/24-core/165W) FIO Processor Kit

NOTE: Ships with Performance Heatsink

HPE DL380 Gen10 Intel Xeon-Platinum 8260L (2.4GHz/24-core/165W) FIO Processor Kit

NOTE: Ships with Performance Heatsink

HPE DL380 Gen10 Intel Xeon-Platinum 8260 (2.4GHz/24-core/165W) FIO Processor Kit

NOTE: Ships with Performance Heatsink

HPE DL380 Gen10 Intel Xeon-Platinum 8256 (3.8GHz/4-core/105W) FIO Processor Kit

NOTE: Ships with Performance Heatsink

HPE DL380 Gen10 Intel Xeon-Platinum 8253 (2.2GHz/16-core/125W) FIO Processor Kit

1st Generation Intel Xeon-Platinum

HPE DL380 Gen10 Intel Xeon-Platinum 8180M (2.5GHz/28-core/205W) FIO Processor Kit

A customer has two HPE ProLiant DL380 Gen10 servers running as an Oracle cluster. They are trying to reduce licensing costs and want to move to the best processor available from the list to minimize licensing costs while still providing a high level of performance for the Oracle database.

Which DL380 Gen10 processor would you recommend?

- A. Intel Xeon-Platinum 8280M
- B. Intel Xeon-Platinum 8280
- C. Intel Xeon-Platinum 8256
- D. Intel Xeon-Platinum 8253

Show Suggested Answer



Actual exam question from HP's HPE0-V14

Question #: 55

Topic #: 1

[\[All HPE0-V14 Questions\]](#)

A customer has two HPE ProLiant Gen10 servers. They both require firmware installation.
Which HPE tool should you recommend for performing this task?

- A. OneView Advanced
- B. iLO Amplifier Pack
- C. Smart Update Manager
- D. OneView Standard

[Show Suggested Answer](#)





Actual exam question from HP's HPE0-V14

Question #: 56

Topic #: 1

[\[All HPE0-V14 Questions\]](#)

A customer has a new virtual environment. They selected HPE servers for the environment in order to achieve better performance for their applications. Which HPE feature enables the customer to achieve this server performance improvement?

- A. embedded application
- B. workload performance advisor
- C. workload profile
- D. Active Health System

Show Suggested Answer





Actual exam question from HP's HPE0-V14

Question #: 57

Topic #: 1

[\[All HPE0-V14 Questions\]](#)

A customer is planning to deploy a new Top of Rack solution. They plan to use a stacking technology that meets the following requirements:

- ⇒ Support for Multi Chassis Link Aggregation in an active-active mode.
- ⇒ The control plane must not be a single point of failure.
- ⇒ Rapid Fail-over.
- ⇒ Unified Management.
- ⇒ They require a maximum of two switches per stack.

Which stacking technology meets the customer's requirements?

- A. HPE Intelligent Resilient Framework (IRF)
- B. HPE Distributed Trunking
- C. Aruba Virtual Switching Extension (VSX)
- D. Aruba Virtual Switching Framework (VSF)

Show Suggested Answer



Actual exam question from HP's HPE0-V14

Question #: 58

Topic #: 1

[\[All HPE0-V14 Questions\]](#)

A customer environment is being managed and monitored with HPE OneView. A review of the OneView log shows that there have been several trap storm events. Which series of events must take place for OneView to insert a Trap Storm event entry into the log of system events?

- A. SNMP traps from three or more identical hosts have been logged within the past 256 seconds.
- B. Four or more identical SNMP traps have been logged within the past 30 seconds.
- C. Three or more SNMP trap messages have been logged with increasingly critical variable string values.
- D. Four or more ports on the same network switch have reported sequential SNMP trap messages.

Show Suggested Answer





Actual exam question from HP's HPE0-V14

Question #: 59

Topic #: 1

[\[All HPE0-V14 Questions\]](#)

What does StoreOnce use to allow independent software vendors (ISV) to be aware of the HPE StoreOnce Backup system and its capabilities without emulation?

- A. Recovery Manager Central
- B. Catalyst Target
- C. Virtual Tape Library
- D. NAS Target

Show Suggested Answer



Actual exam question from HP's HPE0-V14

Question #: 60

Topic #: 1

[\[All HPE0-V14 Questions\]](#)

A customer has the following requirements:

- ⇒ two or more 10Gb SFP+ uplinks
- ⇒ downlink ports capable of 1Gb or 10Gb operation over CAT6a or CAT7 cables
- ⇒ 24 downlink ports

Which HPE tool would you use to help choose an HPE network solution that meets the customer requirements?

- A. HPE Switch Selector
- B. HPE NinjaSTARS
- C. HPE SAF
- D. HPE SPOCK

Show Suggested Answer





Actual exam question from HP's HPE0-V14

Question #: 61

Topic #: 1

[\[All HPE0-V14 Questions\]](#)

Which protocol should be used to access an exported directory on a network-attached storage device?

- A. RIP
- B. NFS
- C. BGP
- D. SNMP

Show Suggested Answer





Actual exam question from HP's HPE0-V14

Question #: 62

Topic #: 1

[\[All HPE0-V14 Questions\]](#)

Which solution should you recommend to a customer for basic file and print services?

- A. Superdome Flex
- B. ProLiant
- C. Synergy
- D. Apollo

Show Suggested Answer





Actual exam question from HP's HPE0-V14

Question #: 63

Topic #: 1

[\[All HPE0-V14 Questions\]](#)

You are installing an HPE Nimble HF20 into a customer's existing rack.

Prior to installation, what should you consider?

- A. An HPE Nimble array has left-to-right airflow
- B. HPE recommends installing the HPE Nimble array at the top of the rack
- C. The HPE Nimble array will require 3-phase power
- D. HPE recommends racks with a depth of 1200 mm

Show Suggested Answer



Actual exam question from HP's HPE0-V14

Question #: 64

Topic #: 1

[\[All HPE0-V14 Questions\]](#)

HPE support asks you to provide the Active Health System log from HPE StoreEasy 1660 Storage to expedite a troubleshooting process.

Which procedures will generate the AHS log for HPE Support? (Choose two.)

- A. Download the AHS log from Server Manager dashboard
- B. Download the AHS log from Federation dashboard in StoreEasy Management Console
- C. Log in to the StoreEasy system with SSH and use the hpessacli command
- D. Boot to Intelligent Provisioning and download the AHS log from maintenance section
- E. Configure Remote Support on the iLO to send the log to HPE

Show Suggested Answer





Actual exam question from HP's HPE0-V14

Question #: 65

Topic #: 1

[\[All HPE0-V14 Questions\]](#)

A customer wants an HPE solution to expand a Big Data platform. The company is outgrowing its current setup and expects to consume 1 PB of data in a few months and up to 2 PB of data within a year.

Which HPE server platform is best suited for this use case?

- A. HPE Microserver
- B. HPE Edgeline
- C. HPE Apollo
- D. HPE Proliant ML

Show Suggested Answer





Actual exam question from HP's HPE0-V14

Question #: 66

Topic #: 1

[\[All HPE0-V14 Questions\]](#)

Which protocol verifies that the ports in common between two switches have compatible settings and removes the likelihood of a misconfigured aggregated link?

- A. RPVST+
- B. LACP
- C. GVRP
- D. 802.1q

Show Suggested Answer



Actual exam question from HP's HPE0-V14

Question #: 67

Topic #: 1

[\[All HPE0-V14 Questions\]](#)

A customer is purchasing a complete HPE solution that includes servers, storage, and networking. They need to leverage cloud storage for an off-site copy of their data in case of disaster.

Which HPE solutions should you suggest? (Choose two.)

- A. HPE MSA Storage
- B. HPE StoreOnce
- C. HPE Smart RAID
- D. HPE StoreEver
- E. HPE Nimble Storage

Show Suggested Answer



Actual exam question from HP's HPE0-V14

Question #: 68

Topic #: 1

[\[All HPE0-V14 Questions\]](#)

Refer to the exhibit.

Qty	Product Description
1	HPE ProLiant DL380 Gen10 8SFF Configure-to-order Server
1	HPE DL380 Gen10 8SFF CTO Server
1	HPE DL380 Gen10 Intel Xeon-Gold 6143 (2.8GHz/16-core/205W) FIO Processor Kit
1	HPE DL380 Gen10 Intel Xeon-Gold 6143 (2.8GHz/16-core/205W) Processor Kit
16	HPE 32GB (1x32GB) Dual Rank x4 DDR4-2666 CAS-19-19-19 Registered Smart Memory Kit
2	HPE 480GB SATA 6G Mixed Use SFF (2.5in) SC 3yr Wty Digitally Signed Firmware SSD
1	HPE Ethernet 10Gb 2-port 562SFP+ Adapter
1	HPE Smart Array P408i-a SR Gen10 (8 Internal Lanes/2GB Cache) 12G SAS Modular Controller
1	HPE 96W Smart Storage Battery (up to 20 Devices) with 145mm Cable Kit
1	HPE Ethernet 10Gb 2-port 562FLR-SFP+ Adapter
1	HPE RAID 1 Drive 1 FIO Setting
1	HPE DL38X Gen10 High Performance Temperature Fan Kit
1	HPE 800W Flex Slot Platinum Hot Plug Low Halogen Power Supply Kit
1	HPE 2U Small Form Factor Easy Install Rail Kit

You are asked to review a server configuration for a customer before it is quoted. The server will be used in a business-critical environment and high availability is required.

The server configuration is shown in the exhibit.

What should be added to the configuration to ensure availability?

- A. HPE Smart Array P408i-a SR Gen10 12 G SAS Modular Controller
- B. HPE DL380 Gen10 Intel Xeon-Gold 6143 (2.8 GHz/16-core/205 W) Processor Kit
- C. HPE 800W Flex Slot Platinum Hot Plug Low Halogen Power Supply Kit
- D. HPE DL38X Gen10 12 Gb SAS Expander Card Kit

Show Suggested Answer



Actual exam question from HP's HPE0-V14

Question #: 70

Topic #: 1

[\[All HPE0-V14 Questions\]](#)

A customer needs to locate an exact time when a link down event occurred at the FC port of Nimble storage

Which on-premises tool can the customer use?

- A. Embedded UEFI Diagnostics
- B. HPE Nimble Storage web-based user interface
- C. HPE StoreServ Management Console
- D. HPE InfoSight

[Show Suggested Answer](#)





Actual exam question from HP's HPE0-V14

Question #: 71

Topic #: 1

[\[All HPE0-V14 Questions\]](#)

A customer's backup administrator is responsible for maintaining and coordinating all nightly backups of the company's 30 servers. Which HPE product can be used as the primary interface to orchestrate all backup targets and Catalyst copy functions?

- A. HPE StoreServ
- B. Smart Storage Administrator
- C. Intelligent Provisioning
- D. StoreOnce Management Console

Show Suggested Answer





Actual exam question from HP's HPE0-V14

Question #: 72

Topic #: 1

[\[All HPE0-V14 Questions\]](#)

Which factors are used to determine RAM configuration maximum memory capacity? (Choose two.)

- A. number and model of qualified processors
- B. largest DIMM capacity qualified on the server
- C. speed of the DIMMs being used
- D. number of cores in the processor
- E. number of PCIe slots

Show Suggested Answer





Actual exam question from HP's HPE0-V14

Question #: 73

Topic #: 1

[\[All HPE0-V14 Questions\]](#)

A customer ordered a pair of HPE SN3000B 16 Gb Fibre Channel Switches to provide Fibre Channel connectivity between VMware ESXi hosts and HPE 3PAR StoreServ 8200.

Which adapter is required to support Fibre Channel connectivity from the VMware ESXi hosts to the new switches?

- A. HBA
- B. SAS
- C. CNA
- D. NIC

Show Suggested Answer



Actual exam question from HP's HPE0-V14

Question #: 74

Topic #: 1

[\[All HPE0-V14 Questions\]](#)

DRAG DROP -

A customer needs a new environment to support an ERP system. The sizing information you received shows the following requirements:

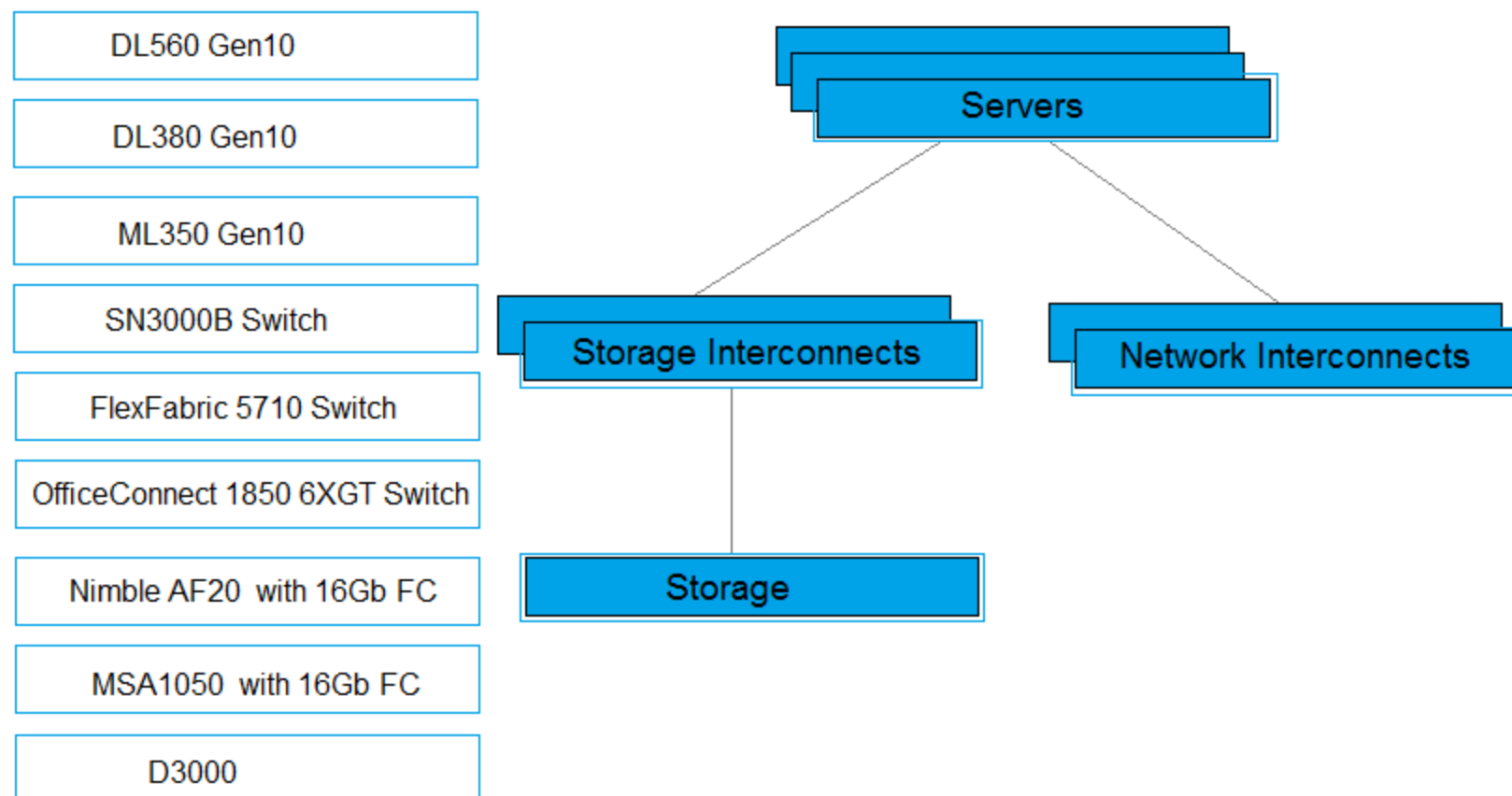
- ⇒ 3 servers with: quad processors, 256 GB RAM, and 10Gb dual-port NICs
- ⇒ 10 TB of high performance shared storage
- ⇒ cloud-based performance monitoring and analytics

The customer prefers rack mounted equipment.

Identify the components that will meet the customer requirements, then drag the correct components on the left to their appropriate location in the environment on the right.

Select and Place:

Answer Area



Show Suggested Answer

Actual exam question from HP's HPE0-V14

Question #: 75

Topic #: 1

[\[All HPE0-V14 Questions\]](#)

Read the question, and then refer to the exhibit.

```
<Switch-A>display interface Ten-GigabitEthernet 1/0/1 Ten-GigabitEthernet1/0/1 Current state: Administratively DOWN Line protocol state: DOWN IP packet frame type: Ethernet II, hardware address: d894-03fb-793d Description: Ten-GigabitEthernet1/0/1 Interface Bandwidth: 10000000 kbps Loopback is not set Media type is stack wire, port hardware type is STACK_SFP_PLUS Unknown-speed mode, unknown-duplex mode Link speed type is autonegotiation, link duplex type is autonegotiation Flow-control is not enabled Maximum frame length: 10000 Allow jumbo frames to pass Broadcast max-ratio: 100% Multicast max-ratio: 100% Unicast max-ratio: 100% PVID: 1 MDI type: Automdix Port link-type: Trunk VLAN Passing: 10, 20 VLAN permitted: 10, 20 Trunk port encapsulation: IEEE 802.1q Port priority: 0 Last link flapping: 0 hours 0 minutes 18 seconds Last clearing of counters: Never Peak input rate: 78 bytes/sec, at 2011-03-31 04:55:57 Peak output rate: 15 bytes/sec, at 2011-03-30 23:00:57 Last 300 second input: 0 packets/sec 67 bytes/sec - % Last 300 second output: 0 packets/sec 14 bytes/sec - % Input (total): 62670 packets, 8565340 bytes 0 unicasts, 0 broadcasts, 62670 multicasts, 0 pauses Input (normal): 62670 packets, - bytes 0 unicasts, 0 broadcasts, 62670 multicasts, 0 pauses Input: 0 input errors, 0 runts, 0 giants, 0 throttles 0 CRC, 0 frame, - overruns, 0 aborts ``" ignored, - parity errors Output (total): 3707 packets, 1294835 bytes 0 unicasts, 0 broadcasts, 3707 multicasts, 0 pauses Output (normal): 3707 packets, - bytes 0 unicasts, 0 broadcasts, 3707 multicasts, 0 pauses Output: 0 output errors, - underruns, - buffer failures 0 aborts, 0 deferred, 0 collisions, 0 late collisions 0 lost carrier, - no carrier
```

A customer added a new switch to their network. They connected it using interface Ten-GigabitEthernet 1/0/1. They are using VLAN 10 and 20 for the devices in their network.

The new switch was fully operational. Then, the customer experienced a power failure later that day and could not reach any device on the new switch after the power returned.

From the output in the exhibit, would could be the issue?

- A. The interface loopback is not set.
- B. The interface link-speed and duplex are unknown.
- C. The interface is administratively down.
- D. The interface is configured for a PVID of VLAN 1.

Show Suggested Answer

Actual exam question from HP's HPE0-V14

Question #: 76

Topic #: 1

[\[All HPE0-V14 Questions\]](#)

A system administrator's performing the BIOS/Platform configuration of a DL380 Gen10 server. You notice the amber health LED. The health status of which solution components can be verified with embedded UEFI Diagnostics? (Choose two.)

- A. UEFI shell
- B. Memory
- C. Fans
- D. Nimble controller
- E. iSCSI HBA

Show Suggested Answer





Actual exam question from HP's HPE0-V14

Question #: 77

Topic #: 1

[\[All HPE0-V14 Questions\]](#)

Which information is contained in the Array Diagnostic Report? (Choose two.)

- A. firmware version numbers
- B. device status
- C. file system types
- D. partition types
- E. operating system mount points

Show Suggested Answer





Actual exam question from HP's HPE0-V14

Question #: 78

Topic #: 1

[\[All HPE0-V14 Questions\]](#)

Which HPE remote management tool offers simplified warranty and contract case management?

- A. HPE InfoSight
- B. HPE Insight Online
- C. HPE iLO Advanced
- D. HPE Smart Update Manager

Show Suggested Answer



Actual exam question from HP's HPE0-V14

Question #: 79

Topic #: 1

[\[All HPE0-V14 Questions\]](#)

Which series of internal checks will an HPE ProLiant server use to validate that the base hardware components are working correctly before booting the operating system?

- A. CMOS
- B. EDO
- C. POST
- D. BIOS

[Show Suggested Answer](#)



Actual exam question from HP's HPE0-V14

Question #: 80

Topic #: 1

[\[All HPE0-V14 Questions\]](#)

A customer needs to move from their traditional tape-based backup infrastructure to a standalone application to disk based backup solution using HPE StoreOnce.

The environment does not use a hypervisor.

The customer has the following goals for their long-term backup retention:

- ⇒ retain data for over two years at low cost
- ⇒ data is archival and rarely accessed, if ever

Which HPE StoreOnce components can help meet the customer goals in the most cost effective manner? (Choose three.)

- A. HPE StoreOnce 35xx
- B. HPE StoreOnce Cloud Bank Storage license
- C. Catalyst Replication license
- D. Azure Cloud or S3 object store
- E. HPE StoreOnce VSA

Show Suggested Answer



Actual exam question from HP's HPE0-V14

Question #: 81

Topic #: 1

[\[All HPE0-V14 Questions\]](#)

DRAG DROP -

Match the stacking technology to the switch series.

Select and Place:

Answer Area

ArubaOS-CX

FlexFabric

ArubaOS-Switch

FlexNetwork

Show Suggested Answer



Actual exam question from HP's HPE0-V14

Question #: 82

Topic #: 1

[\[All HPE0-V14 Questions\]](#)

DRAG DROP -

Given the solution shown in the exhibit, which adapter is required in the server to facilitate connective in Block 1

Select and Place:

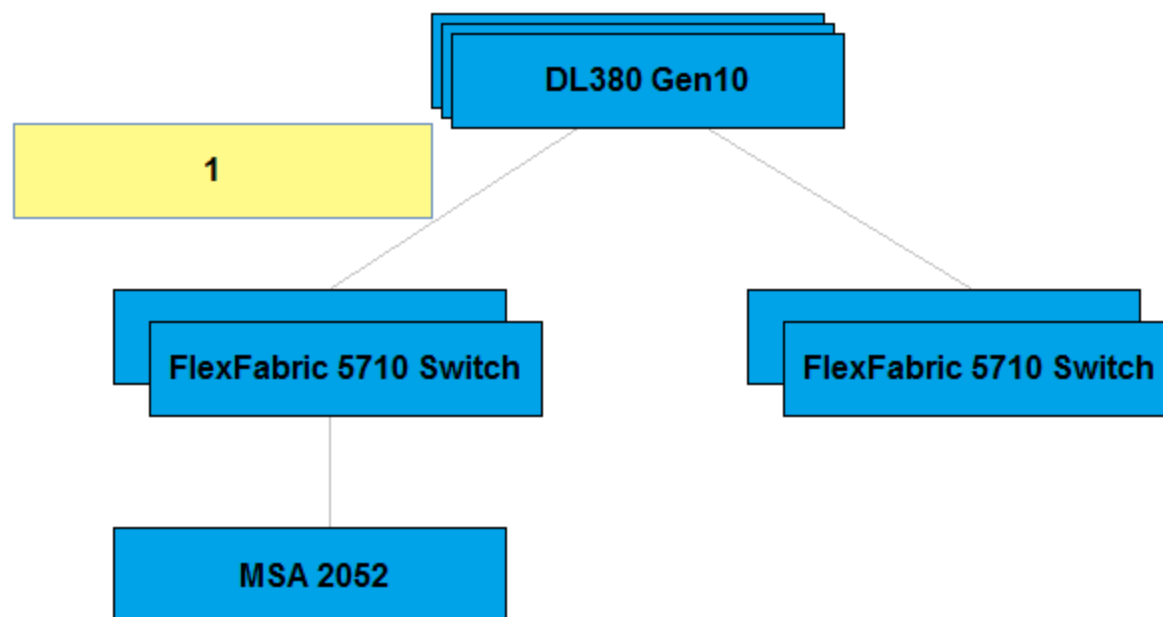
HPE StoreFabric SN1200E
Host Bus Adapter

HPE Smart Array P824i-p
MR Gen10 Controller

HPE Smart Array E208i-p
SR Gen10 Controller

HPE FlexFabric 534FLR-
SFP+ Adapter

Answer Area



Show Suggested Answer



Actual exam question from HP's HPE0-V14

Question #: 83

Topic #: 1

[\[All HPE0-V14 Questions\]](#)

Which disk technology provides the lowest latency for performing random reads?

- A. NVMe SSD
- B. SATA HDD
- C. SAS HDD
- D. SATA SSD

Show Suggested Answer





Actual exam question from HP's HPE0-V14

Question #: 84

Topic #: 1

[\[All HPE0-V14 Questions\]](#)

What does the term composable mean when applied to HPE infrastructure?

- A. pay-per-use consumption models
- B. hardware-defined infrastructure
- C. to provide all-flash like performance, but at a hybrid price point
- D. to simplify and accelerate DevOps and business innovation

Show Suggested Answer

