



Actual exam question from Dell's DEA-1TT5

Question #: 1

Topic #: 1

[\[All DEA-1TT5 Questions\]](#)

---

What functionality does the control layer provide in a software-defined networking architecture?

- A. Defines network behavior through physical network device policies
- B. Establishes communication between the infrastructure and interface layers
- C. Forwards data packets based on application layer requirements
- D. Extracts network information from the data plane and sends it to the application layer

Show Suggested Answer





Actual exam question from Dell's DEA-1TT5

Question #: 2

Topic #: 1

[\[All DEA-1TT5 Questions\]](#)

---

Which data protection solution provides the ability to select a backup technology based on demand?

- A. Agent-Based backup
- B. Cloud-Based backup
- C. File-Based backup
- D. Image-Based backup

Show Suggested Answer





Actual exam question from Dell's DEA-1TT5

Question #: 3

Topic #: 1

[\[All DEA-1TT5 Questions\]](#)

---

What is the key advantage of RAID 6 compared to RAID 5?

- A. Higher usable storage capacity
- B. Fewer disk drives
- C. Higher resiliency
- D. Lower write penalty

Show Suggested Answer





Actual exam question from Dell's DEA-1TT5

Question #: 4

Topic #: 1

[\[All DEA-1TT5 Questions\]](#)

---

The Ethernet switch has eight ports and all ports must be operational for 24 hours, from Monday through Friday. However, a failure of Port 4 occurs as follows:

Monday = 8 PM to 11 PM -

Wednesday = 7 PM to 10 PM -

Thursday = 6 AM to 12 PM -

What is the MTTR of Port 4?

- A. 28 hours
- B. 2 hours
- C. 38 hours
- D. 4 hours

Show Suggested Answer



Actual exam question from Dell's DEA-1TT5

Question #: 5

Topic #: 1

[\[All DEA-1TT5 Questions\]](#)

DRAG DROP -

Match each OSD features with its description.

### Answer area

• • • • •

#### OSD Features

Flexible data access method

Metadata driven policy

Data protection

Global namespace

#### Description

Drives data placement and protection based on the service requirements

Abstracts storage from the application and provides a common view independent of location

Supports REST/SOAP APIs and the file sharing protocols, CIFS and NFS, for file services

Global distribution of objects using either replication or erasure coding

•  
•  
•  
•

Show Suggested Answer





Actual exam question from Dell's DEA-1TT5

Question #: 6

Topic #: 1

[\[All DEA-1TT5 Questions\]](#)

---

An organization is planning to adopt pre-integrated systems to deploy compute, network, storage, and management functions as a single engineered solution. Which approach should the organization adopt?

- A. DIY approach
- B. Vendor ready solutions
- C. DCaaS solution
- D. Service based approach

[Show Suggested Answer](#)





Actual exam question from Dell's DEA-1TT5

Question #: 7

Topic #: 1

[\[All DEA-1TT5 Questions\]](#)

---

Which network file sharing protocol provides cloud-based file sharing through a REST API interface?

- A. S3
- B. HDFS
- C. ZFS
- D. FTP

Show Suggested Answer





Actual exam question from Dell's DEA-1TT5

Question #: 8

Topic #: 1

[\[All DEA-1TT5 Questions\]](#)

---

Which data deduplication method would a cloud service provider use when storing back up data at their location?

- A. Source-based
- B. Target-based
- C. Application-based
- D. Agent-based

Show Suggested Answer







Actual exam question from Dell's DEA-1TT5

Question #: 9

Topic #: 1

[\[All DEA-1TT5 Questions\]](#)

---

Which storage management function ensures that the services and service levels are delivered per SLAs?

- A. Infrastructure discovery management
- B. Portfolio management
- C. Financial management
- D. Operation management

[Show Suggested Answer](#)





Actual exam question from Dell's DEA-1TT5

Question #: 10

Topic #: 1

[\[All DEA-1TT5 Questions\]](#)

---

What is the functionality of the application server in a Mobile Device Management?

- A. Perform administration and management of all unmanaged devices
- B. Authenticate the device that requests access
- C. Perform administration and management of all managed devices
- D. Authorize devices directed to the server

Show Suggested Answer





Actual exam question from Dell's DEA-1TT5

Question #: 11

Topic #: 1

[\[All DEA-1TT5 Questions\]](#)

---

Which file system provides a streaming interface using the MapReduce framework?

- A. CIFS
- B. HDFS
- C. NFS
- D. NTFS

Show Suggested Answer





Actual exam question from Dell's DEA-1TT5

Question #: 12

Topic #: 1

[\[All DEA-1TT5 Questions\]](#)

---

Which interface does an SCM device use to connect to intelligent storage system controllers?

- A. NVMe
- B. SATA
- C. SAS
- D. FC

Show Suggested Answer





Actual exam question from Dell's DEA-1TT5

Question #: 13

Topic #: 1

[\[All DEA-1TT5 Questions\]](#)

---

What kind of ML explicitly requires splitting the data into training and testing datasets before running an algorithm against that data?

- A. Deep Learning
- B. Unsupervised Learning
- C. Reinforcement Learning
- D. Supervised Learning

Show Suggested Answer





Actual exam question from Dell's DEA-1TT5

Question #: 14

Topic #: 1

[\[All DEA-1TT5 Questions\]](#)

---

An organization is interested in a cloud service that provides middleware, development tools, and database management systems for application development and deployment.

Which cloud service model meets these requirements?

- A. Software as a Service
- B. Infrastructure as a Service
- C. Platform as a Service
- D. Application as a Service

Show Suggested Answer





Actual exam question from Dell's DEA-1TT5

Question #: 15

Topic #: 1

[\[All DEA-1TT5 Questions\]](#)

---

Which standard provides FCoE with a lossless Ethernet network?

- A. SCSI Remote Direct Memory Access
- B. Data Center Bridging
- C. Data Center Bridging Exchange Protocol
- D. InfiniBand

Show Suggested Answer





Actual exam question from Dell's DEA-1TT5

Question #: 16

Topic #: 1

[\[All DEA-1TT5 Questions\]](#)

---

Which layer of the OSI reference model provides logical end-to-end connections, sequencing, and integrity?

- A. Transport
- B. Presentation
- C. Session
- D. Data Link

Show Suggested Answer







Actual exam question from Dell's DEA-1TT5

Question #: 17

Topic #: 1

[\[All DEA-1TT5 Questions\]](#)

---

In a NAS environment, which file system enables file sharing with Windows clients and uses the TCP/IP protocol?

- A. New Technology File System (NTFS)
- B. Hadoop Distributed File System (HDFS)
- C. Common Internet File System (CIFS)
- D. Network File System (NFS)

Show Suggested Answer





Actual exam question from Dell's DEA-1TT5

Question #: 18

Topic #: 1

[\[All DEA-1TT5 Questions\]](#)

---

An organization wants to replicate data over a public network to a cloud.

Which security control mechanism helps to secure the data during replication?

- A. LUN masking
- B. Data shredding
- C. Data compression
- D. Encryption

Show Suggested Answer





Actual exam question from Dell's DEA-1TT5

Question #: 19

Topic #: 1

[\[All DEA-1TT5 Questions\]](#)

---

What is the purpose of the policy engine in a data archiving environment?

- A. Moves the appropriate data into archive storage automatically
- B. Automates the process of identifying the data to move from archive to primary storage
- C. Facilitates manual searching for archived data in archive storage
- D. Enables manual migration of older archived data between archive storage devices

Show Suggested Answer





Actual exam question from Dell's DEA-1TT5

Question #: 20

Topic #: 1

[\[All DEA-1TT5 Questions\]](#)

---

What type of technology is used in SSD devices to provide non-volatile data storage?

- A. Static RAM
- B. Dynamic RAM memory
- C. Flash memory
- D. Programmable read-only memory

Show Suggested Answer





Actual exam question from Dell's DEA-1TT5

Question #: 21

Topic #: 1

[\[All DEA-1TT5 Questions\]](#)

---

Which layer of the OSI reference model is responsible for logical addressing and routing?

- A. Data Link
- B. Session
- C. Network
- D. Transport

Show Suggested Answer





Actual exam question from Dell's DEA-1TT5

Question #: 22

Topic #: 1

[\[All DEA-1TT5 Questions\]](#)

---

Which block storage volume allocates all of the physical storage specified at the time it is created?

- A. Thick provisioned LUN
- B. Thin provisioned LUN
- C. Thin provisioned RAID
- D. Thick provisioned RAID

Show Suggested Answer





Actual exam question from Dell's DEA-1TT5

Question #: 23

Topic #: 1

[\[All DEA-1TT5 Questions\]](#)

---

What is a benefit of migrating to a modern data center?

- A. Reduce public cloud application development complexity
- B. Reduce management complexity by deploying only unified and converged IT resources
- C. Reduce the cost of managing data center components by using a self-service catalog
- D. Reduce administration complexity and application downtime to consistently meet SLAs

Show Suggested Answer





Actual exam question from Dell's DEA-1TT5

Question #: 24

Topic #: 1

[\[All DEA-1TT5 Questions\]](#)

---

Which infrastructure building process allows organizations to repurpose existing infrastructure components and provides cost benefits?

- A. Public cloud
- B. Greenfield
- C. Greyfield
- D. Brownfield

Show Suggested Answer







Actual exam question from Dell's DEA-1TT5

Question #: 25

Topic #: 1

[\[All DEA-1TT5 Questions\]](#)

---

What is a function of VM hardening?

- A. Isolate VM storage media to ensure data validity
- B. Isolate VM storage media to prevent data leaks
- C. Change the default configuration of the VM to enhance security
- D. Implement access control list across the VMs to enhance security

Show Suggested Answer



Actual exam question from Dell's DEA-1TT5

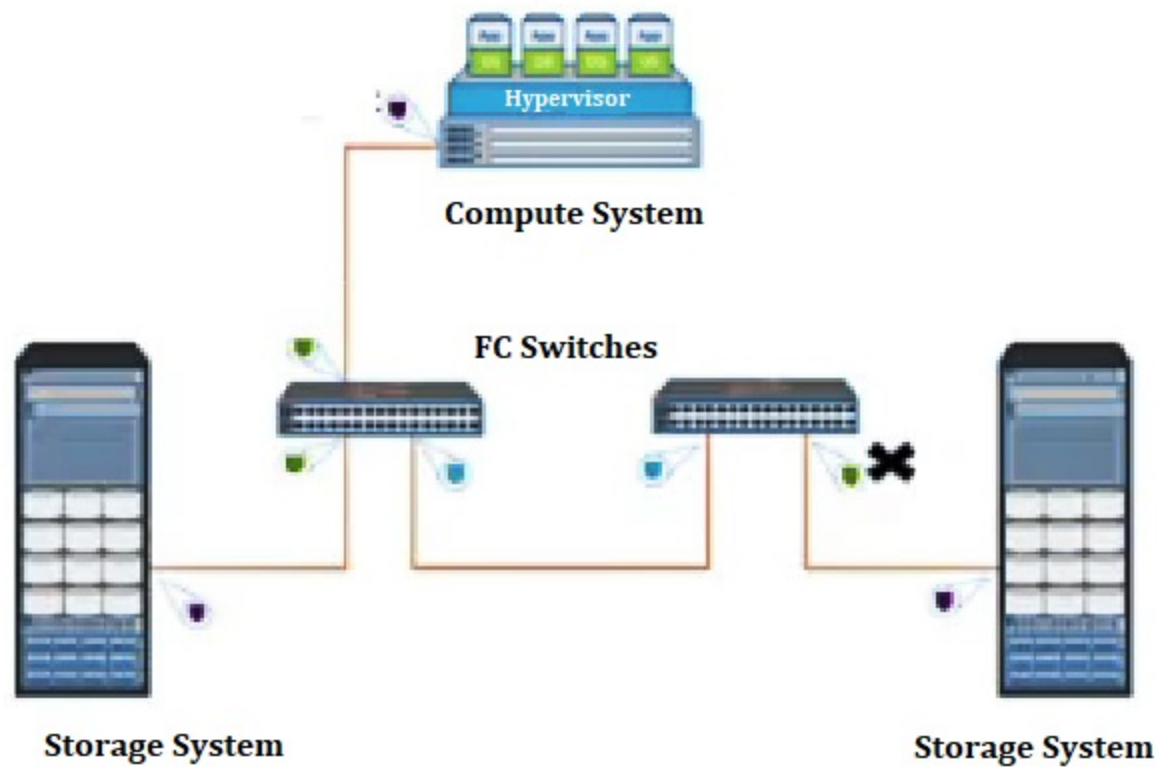
Question #: 26

Topic #: 1

[\[All DEA-1TT5 Questions\]](#)

Refer to the exhibit.

What type of Fibre Channel port does the "X" represent?



A. N\_port

B. F\_port

C. E\_port

D. NL\_port

Show Suggested Answer



Actual exam question from Dell's DEA-1TT5

Question #: 27

Topic #: 1

[\[All DEA-1TT5 Questions\]](#)

---

What is the lowest to highest order of I/O performance among there storage devices?

- A. SCM -->SSD-->DRAM-->SATA
- B. SSD-->SCM-->SATA-->DRAM
- C. DRAM-->SCM-->SSD-->SATA
- D. SATA-->SSD-->SCM-->DRAM

Show Suggested Answer





Actual exam question from Dell's DEA-1TT5

Question #: 28

Topic #: 1

[\[All DEA-1TT5 Questions\]](#)

---

Which Dell EMC product is designed to host both file and object data?

- A. PowerEdge
- B. PowerScale
- C. PowerVault
- D. Cloud Tiering Appliance

Show Suggested Answer





Actual exam question from Dell's DEA-1TT5

Question #: 29

Topic #: 1

[\[All DEA-1TT5 Questions\]](#)

---

What information is available in a capacity planning report for storage infrastructure?

- A. number of units of storage available, used and the cost
- B. current and historic information about the utilization of storage, file systems, and ports
- C. equipment purchase dates, licenses, lease status, and maintenance records
- D. current and historical performance information about IT components and operations

Show Suggested Answer





Actual exam question from Dell's DEA-1TT5

Question #: 30

Topic #: 1

[\[All DEA-1TT5 Questions\]](#)

---

What describes an incident in a storage infrastructure?

- A. Unknown root cause of one or more disruptions to service
- B. Support request to help access an IT resource
- C. Any action that may impact the functionality of the system
- D. Any event that prevents corrections of known errors

Show Suggested Answer





Actual exam question from Dell's DEA-1TT5

Question #: 31

Topic #: 1

[\[All DEA-1TT5 Questions\]](#)

---

What is a benefit of including a Defense-in-depth strategy as part of the data center security strategy?

- A. Optimize application and data storage security controls
- B. Optimize application and network security controls
- C. Reduce the overall cost of deploying security controls
- D. Reduce the scope of an information security risk

Show Suggested Answer





Actual exam question from Dell's DEA-1TT5

Question #: 32

Topic #: 1

[\[All DEA-1TT5 Questions\]](#)

---

Which backup component sends metadata and tracking information about each backup to the system that maintains this information?

- A. Backup agent
- B. Storage node
- C. Backup device
- D. Backup server

Show Suggested Answer





Actual exam question from Dell's DEA-1TT5

Question #: 33

Topic #: 1

[\[All DEA-1TT5 Questions\]](#)

---

A Fibre Channel switch has eight ports and all ports must be operational 24 hours 7 days. However, a failure of Port 5 occurs on a particular week as follows:

Monday = 11 AM to 3 PM -

Thursday = 6 AM to 11 AM -

Saturday = 11 AM to 4 PM -

What is the availability of Port 5 in that week?

- A. 91.6%
- B. 94.6%
- C. 95%
- D. 90%

Show Suggested Answer





Actual exam question from Dell's DEA-1TT5

Question #: 34

Topic #: 1

[\[All DEA-1TT5 Questions\]](#)

---

What is a benefit of unified storage systems?

- A. Provides the capability to separately plan the capacity consumption of object-based data
- B. Eliminates the need to use SATA disk drives to store less valued data
- C. Enables rapid development of modern applications by using a common storage pool
- D. Increases the overall storage capacity utilization with no stranded capacity

Show Suggested Answer





Actual exam question from Dell's DEA-1TT5

Question #: 35

Topic #: 1

[\[All DEA-1TT5 Questions\]](#)

---

What is the result of increasing the number of FC switches in a full mesh topology?

- A. Reduces available node ports for ISL connectivity
- B. Reduces number of storage and compute ports for node connectivity
- C. Reduces switch ports available for node connectivity
- D. Reduces switch ports available bandwidth for node connectivity

Show Suggested Answer





Actual exam question from Dell's DEA-1TT5

Question #: 36

Topic #: 1

[\[All DEA-1TT5 Questions\]](#)

---

What is the key advantage of cloning a VM?

- A. Improves the performance of existing VM and new VMs
- B. Eliminates the need to create multiple snapshots for a VM
- C. Saves time when creating multiple identical copies of a VM
- D. Ability to run new VMs simultaneously with the same IP address

Show Suggested Answer





Actual exam question from Dell's DEA-1TT5

Question #: 37

Topic #: 1

[\[All DEA-1TT5 Questions\]](#)

---

What is the effect of implementing link aggregation in an FC SAN environment?

- A. Distributes network traffic over ISLs that ensures even ISL utilization
- B. Yields higher throughput by combing two parallel ISLs into a single physical ISL
- C. Saves bandwidth by restricting traffic to a specific potentially congested ISL
- D. Improves ISL utilization by increasing network traffic on a specific ISL

Show Suggested Answer





Actual exam question from Dell's DEA-1TT5

Question #: 38

Topic #: 1

[\[All DEA-1TT5 Questions\]](#)

---

What is a benefit of using an existing Ethernet network infrastructure for storage connectivity?

- A. Provides a dedicated network for storage
- B. Ensures security by allowing only localized data movement
- C. Ensures lossless transmission of FC traffic
- D. Reduces overall cost of the network infrastructure

Show Suggested Answer





Actual exam question from Dell's DEA-1TT5

Question #: 39

Topic #: 1

[\[All DEA-1TT5 Questions\]](#)

---

What is true about storage system-based replication?

- A. The source volume is not required to be healthy to restore the data from the snapshot
- B. All the snapshots created from a source volume should be different sizes
- C. Taking multiple snapshots improve the performance of the source volume
- D. Snapshots are immediately accessible after the replication session activation

Show Suggested Answer





Actual exam question from Dell's DEA-1TT5

Question #: 40

Topic #: 1

[\[All DEA-1TT5 Questions\]](#)

---

Which technology allows automation of sensors and devices to share and process information?

- A. Internet of Things
- B. Cloud computing
- C. Artificial Intelligence
- D. Deep Learning

Show Suggested Answer







Actual exam question from Dell's DEA-1TT5

Question #: 41

Topic #: 1

[\[All DEA-1TT5 Questions\]](#)

---

An organization wants to deploy a VM storage migration solution into their data center environment.

What is the result of deploying this type of solution?

- A. Enables VMs to continue functioning when source data becomes unavailable
- B. Improves the application security of migrated VMs
- C. Enables efficient management of capacity across storage systems
- D. Reduces overall storage capacity requirements

Show Suggested Answer





Actual exam question from Dell's DEA-1TT5

Question #: 42

Topic #: 1

[\[All DEA-1TT5 Questions\]](#)

---

A host sends one write I/O to the RAID 1 array.

How many writes does it take for the array to store the data?

- A. Two write I/Os
- B. One write I/Os
- C. Six write I/Os
- D. Four write I/Os

Show Suggested Answer





Actual exam question from Dell's DEA-1TT5

Question #: 43

Topic #: 1

[\[All DEA-1TT5 Questions\]](#)

---

What is a feature of 5G technology?

- A. Higher connectivity density
- B. Higher WAN bandwidth
- C. Higher transmission distances
- D. Higher LAN bandwidth

Show Suggested Answer





Actual exam question from Dell's DEA-1TT5

Question #: 44

Topic #: 1

[\[All DEA-1TT5 Questions\]](#)

---

Which process eliminates data redundancy in a data set?

- A. Data archiving
- B. Data replication
- C. Data migration
- D. Data deduplication

Show Suggested Answer





Actual exam question from Dell's DEA-1TT5

Question #: 45

Topic #: 1

[\[All DEA-1TT5 Questions\]](#)

---

What is a goal of cyber recovery?

- A. Isolate copies of critical data to ensure that an uncompromised copy always exists
- B. Abstract the physical compute hardware from the operating system and applications
- C. Evaluate systems, networks, and applications to find vulnerabilities
- D. Determine persistence access of system, networks, and applications

Show Suggested Answer





Actual exam question from Dell's DEA-1TT5

Question #: 46

Topic #: 1

[\[All DEA-1TT5 Questions\]](#)

---

What occurs when a company's IT infrastructure security is breached by a passive attack?

- A. data is altered by an unauthorized user
- B. unauthorized system access is obtained
- C. access to services is denied
- D. availability of data is affected

Show Suggested Answer





Actual exam question from Dell's DEA-1TT5

Question #: 47

Topic #: 1

[\[All DEA-1TT5 Questions\]](#)

---

What is true about Storage Class Memory (SCM)?

- A. SCM is slower than DRAM but read and write speeds are faster than flash.
- B. SCM adds a new tier of SAS performance at memory-like cost.
- C. SCM read and write speeds are slower than hard disk drives.
- D. SCM is faster than cache memory but slower than solid state drives.

Show Suggested Answer





Actual exam question from Dell's DEA-1TT5

Question #: 48

Topic #: 1

[\[All DEA-1TT5 Questions\]](#)

---

What is an accurate statement about the Do-It-Yourself approach for building modern Infrastructure?

- A. Utilizes preconfigured preinstalled and prepackaged vendor ready solutions
- B. Combines the datacenter components into a single standalone computing platform managed by software
- C. Utilizes products and services from the vendors that provide specific functions with more configuration options
- D. Combines datacenter components into a distributed infrastructure platform managed by software

Show Suggested Answer







Actual exam question from Dell's DEA-1TT5

Question #: 49

Topic #: 1

[\[All DEA-1TT5 Questions\]](#)

---

What is the maximum number of VLANs that can be supported with one VLAN tag field?

- A. 4096
- B. 8192
- C. 1024
- D. 2048

Show Suggested Answer





Actual exam question from Dell's DEA-1TT5

Question #: 50

Topic #: 1

[\[All DEA-1TT5 Questions\]](#)

---

In continuous data protection, what does the amount of journal space determine?

- A. Length of time required to recover the data
- B. Amount of space the source and replica volumes require
- C. Amount of data that can be restored to a specific point
- D. How far back the data can be recovered

Show Suggested Answer





Actual exam question from Dell's DEA-1TT5

Question #: 51

Topic #: 1

[\[All DEA-1TT5 Questions\]](#)

---

What is an advantage of performing incremental backups compared to cumulative backups for the same data?

- A. Requires more time to perform data backup
- B. Storage capacity needed for backups is significantly reduced
- C. Requires more storage capacity for backup
- D. Reduces restore time but requires a maximum of two copies

Show Suggested Answer



Actual exam question from Dell's DEA-1TT5

Question #: 52

Topic #: 1

[\[All DEA-1TT5 Questions\]](#)

---

Which three parameters define information availability in a modern data center environment?

A. Reliability -

Accessibility -

Timeliness

B. Capacity -

Availability -

Security

C. Confidentiality -

Integrity -

Availability

D. Reliability -

Integrity -

Performance

[Show Suggested Answer](#)





Actual exam question from Dell's DEA-1TT5

Question #: 53

Topic #: 1

[\[All DEA-1TT5 Questions\]](#)

---

What triggers an appropriate workflow upon receiving a service provisioning or management request?

- A. Alerts
- B. Orchestrated operations
- C. Recovery time objective
- D. Infrastructure discovery

Show Suggested Answer





Actual exam question from Dell's DEA-1TT5

Question #: 54

Topic #: 1

[\[All DEA-1TT5 Questions\]](#)

---

What statement describes machine learning?

- A. Applies an algorithm to large amounts of data for pattern discovery
- B. Organizes data efficiently so that compute systems can learn
- C. Developing a program to compute every possible outcome
- D. Replicating a detailed process and then implementing it in software

Show Suggested Answer





Actual exam question from Dell's DEA-1TT5

Question #: 55

Topic #: 1

[\[All DEA-1TT5 Questions\]](#)

---

Which method automatically allocates a large capacity secondary cache using SSD and SCM?

- A. Cache provisioning
- B. Volatile cache
- C. Cache tiering
- D. Non-volatile cache

Show Suggested Answer





Actual exam question from Dell's DEA-1TT5

Question #: 56

Topic #: 1

[\[All DEA-1TT5 Questions\]](#)

---

How is NVMe used to connect a host to M.2 storage devices?

- A. through an embedded PCIe controller
- B. through a PCIe bus FC HBA card
- C. through a PCIe bus card
- D. through an embedded FC HBA controller

Show Suggested Answer







Actual exam question from Dell's DEA-1TT5

Question #: 57

Topic #: 1

[\[All DEA-1TT5 Questions\]](#)

---

What is true about the FCIP?

- A. connects local iSCSI SANs to remote FC SANs
- B. connects local FC SANs to remote FC SANs
- C. connects local iSCSI SANs to remote iSCSI SANs
- D. connects local FC or iSCSI SANs to remote FC or iSCSI SANs

Show Suggested Answer





Actual exam question from Dell's DEA-1TT5

Question #: 58

Topic #: 1

[\[All DEA-1TT5 Questions\]](#)

---

An organization wants to protect data from accidental deletion, application crashes, data corruption, and disaster.

Which solution should the organization adopt?

- A. Storage tiering
- B. Thin provisioning
- C. Data archiving
- D. Data backup

Show Suggested Answer



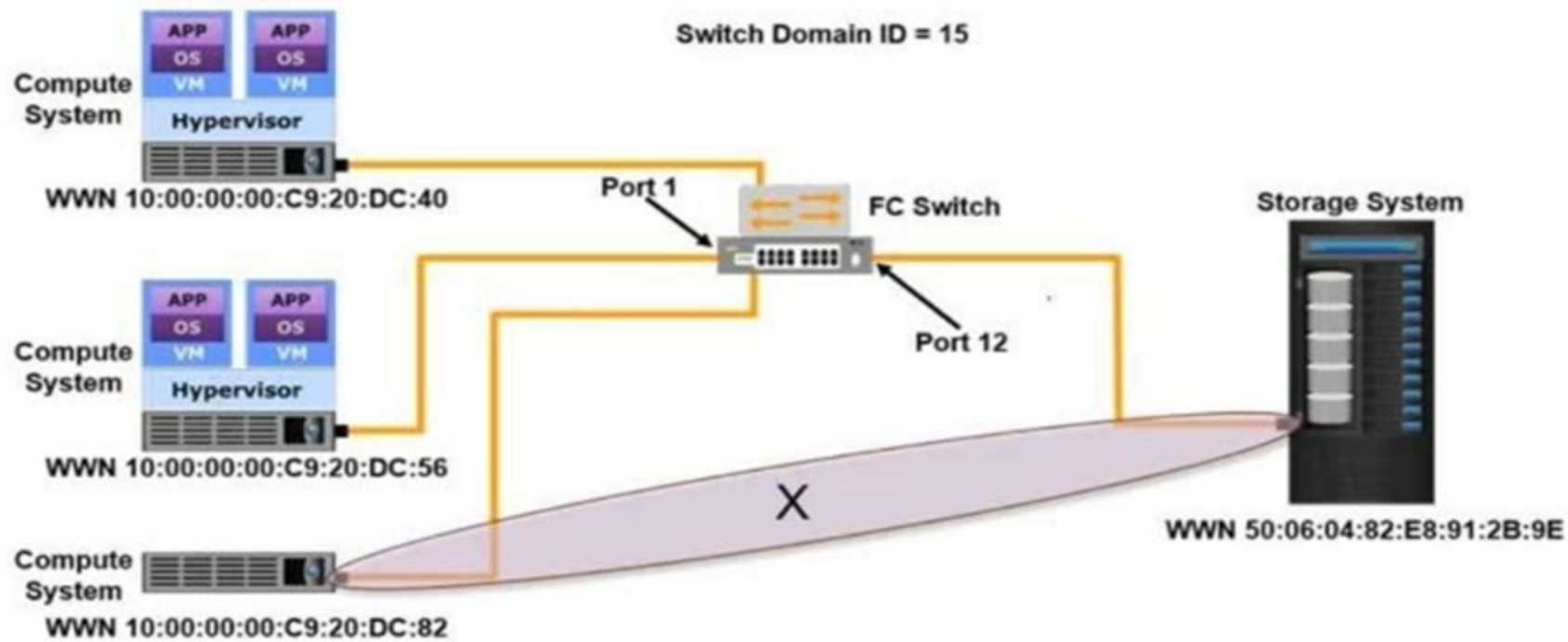
Actual exam question from Dell's DEA-1TT5

Question #: 59

Topic #: 1

[\[All DEA-1TT5 Questions\]](#)

Refer to the Exhibit:



Which type of zoning does the "X" represent?

- A. Port zoning
- B. Mixed zoning
- C. WWN zoning
- D. Fabric zoning

Show Suggested Answer



Actual exam question from Dell's DEA-1TT5

Question #: 60

Topic #: 1

[\[All DEA-1TT5 Questions\]](#)

---

Under the PaaS model, which elements are managed by the consumer?

- A. OS and Runtime
- B. OS and Virtualization
- C. Middleware and Networking
- D. Applications and Data

Show Suggested Answer





Actual exam question from Dell's DEA-1TT5

Question #: 61

Topic #: 1

[\[All DEA-1TT5 Questions\]](#)

---

What is the function of a control plane in the SDDC?

- A. Performs administrative operations and for communicating messages
- B. Performs resource provisioning and provides the programming logic and policies
- C. Performs processing and input output operations
- D. Performs financial operations used to calculate CAPEX

Show Suggested Answer





Actual exam question from Dell's DEA-1TT5

Question #: 62

Topic #: 1

[\[All DEA-1TT5 Questions\]](#)

---

Which is a characteristic of RAID 6?

- A. All parity stored on a single disk
- B. Double parity
- C. Single parity
- D. Parity not used

Show Suggested Answer





Actual exam question from Dell's DEA-1TT5

Question #: 63

Topic #: 1

[\[All DEA-1TT5 Questions\]](#)

---

What is a benefit of using a Scale-Out NAS system vs. general purpose file servers?

- A. For high performance and security NAS supports only NFS protocol
- B. NAS servers are pooled into a cluster of independent NAS nodes
- C. File system grows dynamically as nodes are added to the NAS cluster
- D. For high performance and security NAS supports only CIFS protocol

Show Suggested Answer





Actual exam question from Dell's DEA-1TT5

Question #: 64

Topic #: 1

[\[All DEA-1TT5 Questions\]](#)

---

Which block storage device protocol achieves the optimal cost-effective balance between I/O performance and high storage capacity for midrange storage applications?

- A. SATA
- B. NVMe
- C. SSD
- D. SAS

Show Suggested Answer







Actual exam question from Dell's DEA-1TT5

Question #: 65

Topic #: 1

[\[All DEA-1TT5 Questions\]](#)

---

Which FCIP protocol stack layer supports FC frame encapsulation?

- A. UDP
- B. IP
- C. TCP
- D. FCP

Show Suggested Answer





Actual exam question from Dell's DEA-1TT5

Question #: 66

Topic #: 1

[\[All DEA-1TT5 Questions\]](#)

---

Which standard provides lossless transport to an FCoE Ethernet network?

- A. Remote Direct Memory Access
- B. Data Center Bridging Capability Exchange
- C. Priority-based Flow Control
- D. Data Center Bridging

Show Suggested Answer





Actual exam question from Dell's DEA-1TT5

Question #: 67

Topic #: 1

[\[All DEA-1TT5 Questions\]](#)

---

An organization wants to replicate their data by extending the local network across a public network. Prior to implementing replication, they need to secure the network.

Which security control mechanism is recommended?

- A. Virtual local area network
- B. Demilitarized zone
- C. Virtual storage area network
- D. Virtual private network

[Show Suggested Answer](#)





Actual exam question from Dell's DEA-1TT5

Question #: 68

Topic #: 1

[\[All DEA-1TT5 Questions\]](#)

---

Which statement is true regarding virtual provisioning?

- A. Multiple shared storage pools can be created while each pool must be allocated to a unique thin LUN
- B. Virtual provisioning prevents issues that arise from oversubscription
- C. Virtual provisioning enables more efficient allocation of storage to compute systems
- D. Shared and Thin LUNs can be expanded rapidly with only minor disruptions

Show Suggested Answer





Actual exam question from Dell's DEA-1TT5

Question #: 70

Topic #: 1

[\[All DEA-1TT5 Questions\]](#)

---

Which performance feature does an intelligent storage system provide?

- A. RAID 4 data protection
- B. End-to-end SAS storage connectivity
- C. Automated storage tiering
- D. End-to-end NVMe/IB storage connectivity

Show Suggested Answer



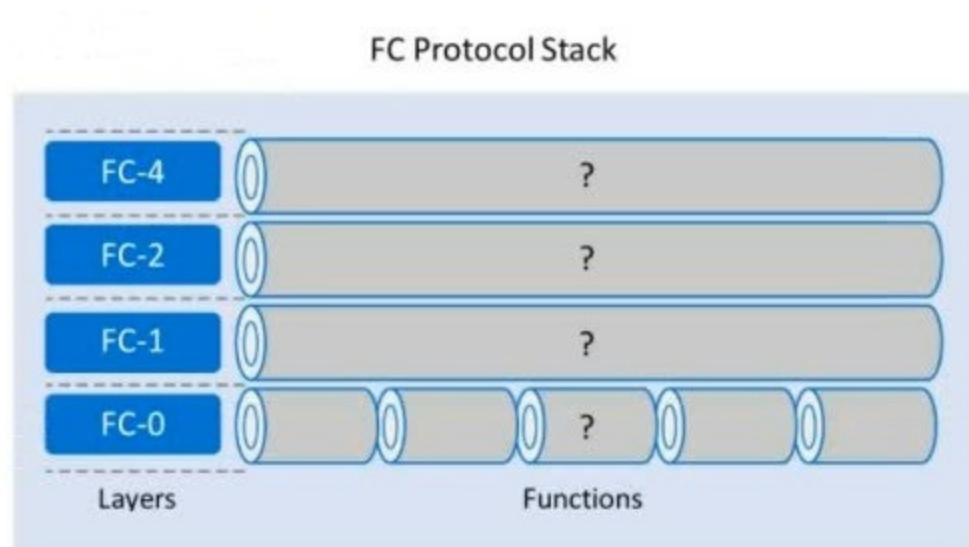
Actual exam question from Dell's DEA-1TT5

Question #: 71

Topic #: 1

[\[All DEA-1TT5 Questions\]](#)

Refer to the Exhibit:



Which functions align with each layer of the FC Protocol Stack using the following order: FC-4, FC-2, FC-1, and FC-0?

A. Mapping interface -

Routing and flow control -

Encode and decode -

Physical

B. Physical -

Encode and decode -

Common services -

Mapping interface

C. Physical -

Encode and decode -

Routing and flow control -

Mapping interface

D. Mapping interface -

Common services -

Encode and decode -

Physical

Show Suggested Answer



Actual exam question from Dell's DEA-1TT5

Question #: 72

Topic #: 1

[\[All DEA-1TT5 Questions\]](#)

---

What Smart City municipal function is optimized by IoT?

- A. Tax revenue budgeting and expense accounting
- B. City transportation infrastructure maintenance
- C. Commercial and residential land use and zoning
- D. Development of municipal staff skillset

Show Suggested Answer



Actual exam question from Dell's DEA-1TT5

Question #: 73

Topic #: 1

[\[All DEA-1TT5 Questions\]](#)

---

A Fibre Channel switch has eight ports and all ports must be operational from 8 AM to 8 PM, Monday through Friday. However, a failure of Port 7 occurs in the week as follows:

Monday = 11 AM to 12 PM -

Wednesday = 4 PM to 9 PM -

Thursday = 4 AM to 9 AM -

Friday = 2 PM to 6 PM -

Saturday = 9 AM to 1 PM -

What is the availability of Port 7 in that week?

- A. 75%
- B. 80%
- C. 83.3%
- D. 68.3%

Show Suggested Answer

