

Actual exam question from Cisco's 350-601

Question #: 1

Topic #: 1

[\[All 350-601 Questions\]](#)

DRAG DROP -

An engineer is implementing NetFlow on a Cisco Nexus 7000 Series Switch.

Drag and drop the NetFlow commands from the left into the correct order they must be entered on the right.

Select and Place:

N7K-1(config)# interface <interface>
N7K-1(config-if)# ip flow monitor NetflowMonitor input

N7K-1(config)# feature netflow

N7K-1(config)# flow exporter NetflowMonitor
N7K-1(config)# flow record NetflowMonitor

N7K-1(config)# flow monitor NetflowMonitor

Step 1

Step 2

Step 3

Step 4

Show Suggested Answer



Actual exam question from Cisco's 350-601

Question #: 2

Topic #: 1

[\[All 350-601 Questions\]](#)

Which virtual MAC address is the default for HSRP version 2 group 10?

- A. 0000.5E00.0110
- B. 0000.0C9F.F00A
- C. 3784.0898.1C0A
- D. 0000.0C9F.F010

Show Suggested Answer



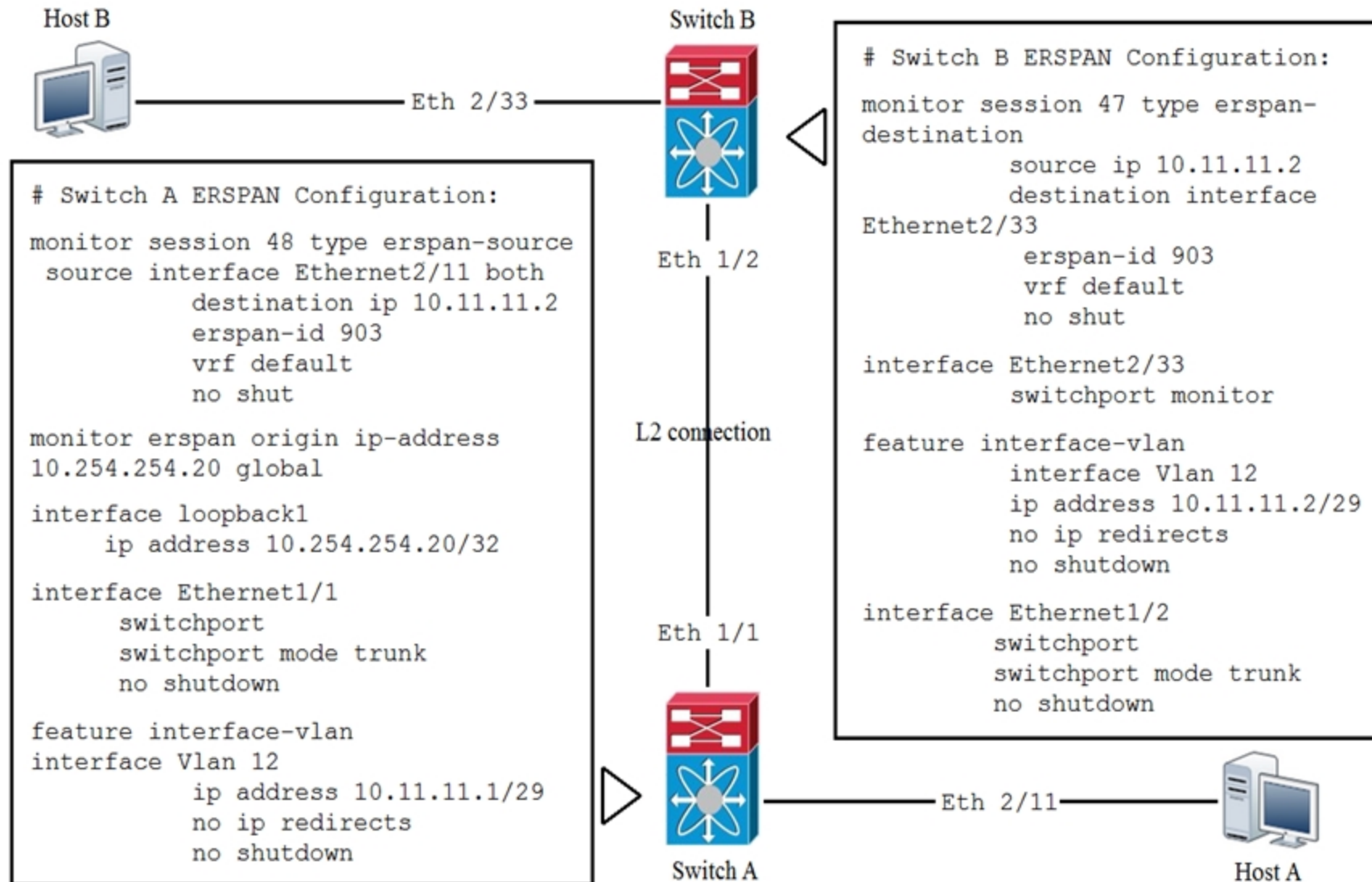
Actual exam question from Cisco's 350-601

Question #: 3

Topic #: 1

[\[All 350-601 Questions\]](#)

Refer to the exhibit.



Which statement about the ERSPAN configuration in this environment is true?

- A. The session number of the source of ERSPAN spanned traffic must have a session ID of 47 for the traffic analyzer to receive the traffic.
- B. Host B is the source of ERSPAN spanned traffic and host A is the traffic analyzer.
- C. The session number of the source of ERSPAN spanned traffic must have a session ID of 48 for the traffic analyzer to receive the traffic.
- D. Host A is the source of ERSPAN spanned traffic and host B is the traffic analyzer.

Show Suggested Answer

Actual exam question from Cisco's 350-601

Question #: 4

Topic #: 1

[\[All 350-601 Questions\]](#)

Refer to the exhibit.

```
ACI-Leaf1# show ip route vrf DATACENTER:DC
10.20.1.0/24, ubest/mbest: 1/0, attached, direct, pervasive
  *via 10.0.8.65%overlay-1, [1/0], 4w3d, static
172.16.100.0/24, ubest/mbest: 1/0
  *via 10.1.168.95%overlay-1, [200/5], 3wod, bgp-132, internal, tag 132 (mpls-vpn)
172.16.99.0/24, ubest/mbest: 1/0
  *via 10.0.1.14, [20/0], 3wod, bgp-132, external, tag 200
```

Which two statements about the routing table of the leaf switch are true? (Choose two.)

- A. 10.20.1.0/24 is a BD subnet in ACI.
- B. The next hop 10.0.1.14 for route 172.16.99.0/24 is the TEP address of a border leaf in ACI.
- C. 172.16.100.0/24 is a BD subnet in ACI.
- D. The next hop 10.1.168.95 for route 172.16.100.0/24 is the TEP address of a border leaf in ACI.
- E. The next hop 10.0.8.65 for route 10.20.1.0/24 is the TEP address of a border leaf in ACI.

Show Suggested Answer



Actual exam question from Cisco's 350-601

Question #: 5

Topic #: 1

[\[All 350-601 Questions\]](#)

Which mroute state is created when Bidirectional PIM is deployed at a site?

- A. *,G
- B. MVPN Type-6
- C. MVPN Type-7
- D. S,G

Show Suggested Answer



Actual exam question from Cisco's 350-601

Question #: 6

Topic #: 1

[\[All 350-601 Questions\]](#)

Refer to the exhibit.

N7K-1

```
interface Vlan165
  no shutdown
  no ip redirects
  ip address 10.16.165.2/27
  no ipv6 redirects
  hsrp version 2
  hsrp 165
    preempt
    priority 150
    ip 10.16.165.1
```

```
vpc domain 100
  role priority 100
  peer-keepalive destination 10.1.1.2 source 10.1.1.1
vrf default
  delay restore 60
  peer-gateway
  auto-recovery
  ip arp synchronize
```

N7K-2

```
interface Vlan165
  no shutdown
  no ip redirects
  ip address 10.16.165.3/27
  no ipv6 redirects
  hsrp version 2
  hsrp 165
    priority 50
    ip 10.16.165.1
```

```
vpc domain 100
  role priority 200
  peer-keepalive destination 10.1.1.1 source 10.1.1.2
vrf default
  delay restore 60
  peer-gateway
  auto-recovery
  ip arp synchronize
```

Which statement about the default gateway configuration of the vPC is true?

- A. Either switch can act as the active default gateway.
- B. N7K-1 acts as the default gateway for all traffic.
- C. N7K-2 forwards traffic that is destined for the default gateway by using the peer link.
- D. N7K-2 acts as the default gateway for all traffic.

Show Suggested Answer

Actual exam question from Cisco's 350-601

Question #: 7

Topic #: 1

[\[All 350-601 Questions\]](#)

Refer to the exhibit.

```
Start time: Mon Apr 15 09:23:01 2019
Last election time: Mon Apr 15 09:24:24 2019
A: UP, PRIMARY
B: UP, SUBORDINATE
A: memb state UP, lead state PRIMARY, mgmt services state: UP
B: memb state UP, lead state SUBORDINATE, mgmt services state: UP
heartbeat state PRIMARY_OK
INTERNAL NETWORK INTERFACES:
eth1, UP
eth2, UP
HA NOT READY
No device connected to this Fabric Interconnect
```

What must be connected to clear the HA NOT READY status?

- A. Layer 1-Layer 2 ports
- B. server chassis
- C. management ports
- D. network uplinks

Show Suggested Answer



Actual exam question from Cisco's 350-601

Question #: 8

Topic #: 1

[\[All 350-601 Questions\]](#)

A small remote office is set to connect to the regional hub site via NSSA ASBR.

Which type of LSA is sent to the remote office OSPF area?

- A. type 7 LSA
- B. type 1 LSA
- C. type 5 LSA
- D. type 3 LSA

[Show Suggested Answer](#)



Actual exam question from Cisco's 350-601

Question #: 9

Topic #: 1

[\[All 350-601 Questions\]](#)

Which adjacency server configuration makes two OTV edge devices located in the same site bring up the dual-site adjacency?

A.

Nexus-1:

```
interface Ethernet1/2
ip address 20.1.1.1/24
```

```
interface Overlay200
otv use-adjacency-server 20.1.1.2 unicast-only
otv join-interface Ethernet1/2
```

Nexus-2:

```
interface Ethernet1/2
ip address 20.1.1.2/24
```

```
interface Overlay200
otv use-adjacency-server 20.1.1.1 unicast-only
otv join-interface Ethernet1/2
```

B.

Nexus-1:

```
interface Ethernet1/2
ip address 20.1.1.1/24
```

```
interface Overlay200
otv adjacency-server unicast-only
otv join-interface Ethernet1/2
```

Nexus-2:

```
interface Ethernet1/2
ip address 20.1.1.2/24
```

```
interface Overlay200
otv join-interface Ethernet1/2
otv adjacency-server unicast-only
otv use-adjacency-server 20.1.1.1 unicast-only
```

C.

Nexus-1:

```
interface Ethernet1/2
ip address 20.1.1.1/24
```

```
interface Overlay200
otv adjacency-server unicast-only
otv join-interface Ethernet1/2
```

Nexus-2:

```
interface Ethernet1/2
ip address 20.1.1.2/24
```

```
interface Overlay200
otv adjacency-server unicast-only
otv join-interface Ethernet1/2
```

D.

Nexus-1:

```
interface Ethernet1/2
ip address 20.1.1.1/24
```

```
interface Overlay200
otv use-adjacency-server 20.1.1.1 unicast-only
otv adjacency-server unicast-only
otv join-interface Ethernet1/2
```

Nexus-2:

```
interface Ethernet1/2
ip address 20.1.1.2/24
```

```
interface Overlay200
otv use-adjacency-server 20.1.1.2 unicast-only
otv adjacency-server unicast-only
otv join-interface Ethernet1/2
```

Show Suggested Answer



Actual exam question from Cisco's 350-601

Question #: 10

Topic #: 1

[\[All 350-601 Questions\]](#)

Refer to the exhibit.

```
N7K-1
spanning-tree vlan 1-10 priority 8192

vpc domain 100
  role priority 100
  peer-keepalive destination 10.1.1.2 source 10.1.1.1
vrf default
  delay restore 60
  peer-switch
  auto-recovery
  ip arp synchronize

N7K-2
spanning-tree vlan 1-10 priority 8192

vpc domain 100
  role priority 200
  peer-keepalive destination 10.1.1.1 source 10.1.1.2
vrf default
  delay restore 60
  peer-switch
  auto-recovery
  ip arp synchronize
```

The STP priority of N7K-1 and N7K-2 are the lowest in the network.

Which statement describes STP on the vPC?

- A. N7K-1 and N7K-2 appear as a single STP root.
- B. N7K-1 appears as the STP root.
- C. N7K-1 preempts N7K-2 as the STP root.
- D. N7K-2 appears as the STP root.

Show Suggested Answer

Actual exam question from Cisco's 350-601

Question #: 11

Topic #: 1

[\[All 350-601 Questions\]](#)

The engineer must configure SPAN on a Cisco Nexus 5000 Series Switch to get a capture of the traffic from these applications for an in-depth packet analysis. Which two SPAN characteristics must be considered? (Choose two.)

- A. SPAN source ports can be monitored in multiple SPAN sessions.
- B. The Ethernet, FC, vFC, port channel, SAN port channel can be used as SPAN source ports.
- C. A SPAN source port cannot be a destination SPAN port.
- D. Only Ethernet, FC, vFC, port channel port types can be used as SPAN source ports.
- E. The rx/tx option is available for VLAN or VSAN SPAN sessions.

Show Suggested Answer



Actual exam question from Cisco's 350-601

Question #: 12

Topic #: 1

[\[All 350-601 Questions\]](#)

Host1 is in VLAN100 located in DataCenter1 and Host2 is in VLAN200 located in DataCenter2.

Which OTV VLAN mapping configuration allows Layer 2 connectivity between these two hosts?

A.

DC1:

```
interface Overlay1
```

```
otv extend-vlan 100
```

```
otv vlan mapping 100 to 200
```

DC2:

```
interface Overlay1
```

```
otv extend-vlan 100
```

```
otv vlan mapping 100 to 200
```

B.

DC1:

```
interface Overlay1
```

```
otv extend-vlan 100
```

```
otv vlan mapping 100 to 200
```

DC2:

```
interface Overlay1
```

```
otv extend-vlan 200
```

C.

DC1:

```
interface Overlay1
```

```
otv extend-vlan 100
```

DC2:

```
interface Overlay2
```

```
otv extend-vlan 200
```

D.

DC1:

```
interface Overlay1
```

```
otv extend-vlan 100
```

DC2:

```
interface Overlay1
```

```
otv extend-vlan 200
```

Show Suggested Answer



Actual exam question from Cisco's 350-601

Question #: 13

Topic #: 1

[\[All 350-601 Questions\]](#)

Refer to the exhibit.

```
switch(config)# interface Ethernet 2/2
switch(config)# ip address 172.23.231.240/23
switch(config)# ip verify unicast source reachable-via rx
```

What is configured as a result of running these commands?

- A. loose unicast RPF
- B. strict unicast RPF
- C. IP Source Guard
- D. reverse lookup for outbound packets

Show Suggested Answer

Actual exam question from Cisco's 350-601

Question #: 14

Topic #: 1

[\[All 350-601 Questions\]](#)

Which configuration implements static ingress replication?

A.

```
interface nve 1
 member vni 3716135
 ingress-replication protocol bgp
```

B.

```
interface nve 1
 member vni 3716135
 peer vtep 10.0.0.4
```

C.

```
interface nve 1
 member vni 3716135
 peer vtep 10.0.0.4
 ingress-replication protocol static
 peer-ip 10.0.0.4
```

D.

```
interface nve 1
 member vni 3716135
 ingress-replication protocol static
 peer-ip 10.0.0.4
```

Show Suggested Answer

Actual exam question from Cisco's 350-601

Question #: 15

Topic #: 1

[\[All 350-601 Questions\]](#)

Refer to the exhibit.

```
OTV-Site1# show otv
OTV Overlay Information
Site Identifier 0000.0000.0111
Overlay interface Overlay200
VPN name: Overlay200
VPN state: UP
Extended vlans: 178 2500-2563 (Total:65)
Join interface(s): Eth1/2 (20.1.1.1)
Site vlan: 1999 (up)
AED-Capable: Yes
Capability: Unicast-Only
Is Adjacency Server: Yes
Adjacency Server(s): 20.1.1.1/20.2.1.1
```

A network engineer is setting up a multihomed OTV network. The first site has been set up with a primary and secondary adjacency server.

Which configuration must be added on the remote OTV AEDs site?

A.

```
interface Overlay200
otv join-interface Ethernet1/2
otv extend-vlan 178, 2500-2563
otv use-adjacency-server 20.1.1.1 unicast-only
```

B.

```
interface Overlay200
otv join-interface Ethernet1/2
otv extend-vlan 178, 2500-2563
```

C.

```
interface Overlay200
otv join-interface Ethernet1/2
otv extend-vlan 178, 2500-2563
otv use-adjacency-server 20.1.1.1 20.2.1.1 unicast-only
```

D.

```
interface Overlay200
otv join-interface Ethernet1/2
otv extend-vlan 178, 2500-2563
otv adjacency-server unicast-only
```

Show Suggested Answer



Actual exam question from Cisco's 350-601

Question #: 16

Topic #: 1

[\[All 350-601 Questions\]](#)

A customer has a requirement to deploy a cloud service and needs to have full control over the underlying OS, data and applications.

Which cloud model meets this requirement?

- A. MaaS
- B. PaaS
- C. SaaS
- D. IaaS

[Show Suggested Answer](#)



Actual exam question from Cisco's 350-601

Question #: 17

Topic #: 1

[\[All 350-601 Questions\]](#)

Refer to the exhibit.

```
Nexus# show vpc peer-keepalive | i Keepalive
```

```
--Keepalive interval : 1000 msec  
--Keepalive timeout : 5 seconds  
--Keepalive hold timeout : 3 seconds  
--Keepalive vrf : management  
--Keepalive udp port : 3200  
--Keepalive tos : 192
```

```
Nexus# ethanalyzer local interface mgmt limit-captured-frames 1000
```

```
Capturing on mgmt0
```

```
2019-06-15 12:01:51.242597 192.168.254.11 -> 192.168.254.3 ICMP Echo (ping) request  
2019-06-15 12:01:51.242860 192.168.254.3 -> 192.168.254.11 ICMP Echo (ping) reply  
2019-06-15 11:50:15.975474 192.168.254.1 -> 192.168.254.3 TCP 47540 > bootps [SYN] Seq=0 Win=1024 Len=0 MSS=1460  
2019-06-15 11:50:15.975547 192.168.254.3 -> 192.168.254.1 TCP 29 > 47540 [RST, A CK] Seq=1 Ack=1 Win=0 Len=0  
2019-06-15 11:50:15.975564 192.168.254.1 -> 192.168.254.3 TCP 47540 > 44 [SYN] Seq=0 Win=1024 Len=0 MSS=1460  
2019-06-15 11:50:15.975924 192.168.254.1 -> 192.168.254.3 TCP 47540 > discard [SYN] Seq=0 Win=1024 Len=0 MSS=1460  
2019-06-15 11:50:15.976027 192.168.254.1 -> 192.168.254.3 TCP 47540 > 97 [SYN] Seq=0 Win=1024 Len=0 MSS=1460  
2019-06-15 11:50:15.976381 192.168.254.1 -> 192.168.254.3 TCP 47540 > 35 [SYN] Seq=0 Win=1024 Len=0 MSS=1460  
2019-06-15 11:50:16.661845 192.168.254.3 -> 192.168.254.4 UDP Source port: 3200 Destination port: 3200  
2019-06-15 11:50:16.761147 00:8e:73:a2:41:13 -> 01:80:c2:00:00:00 STP Conf. Root = 8192/10/ec:e1:a9:df:6c:80 Cost = 22 Port = 0x8013  
2019-06-15 11:50:16.853248 192.168.254.4 -> 192.168.254.3 UDP Source port: 3200 Destination port: 3200  
2019-06-15 11:50:17.326253 192.168.254.1 -> 192.168.254.3 SSH Encrypted request packet len=52  
2019-06-15 11:50:17.327313 192.168.254.3 -> 192.168.254.1 SSH Encrypted response packet len=1348  
2019-06-15 11:50:17.377246 192.168.254.4 -> 239.255.70.83 UDP Source port: 7546 Destination port: 7546  
2019-06-15 11:50:17.552215 192.168.254.1 -> 192.168.254.3 TCP 14139 > ssh [ACK] Seq=365 Ack=11277 Win=63546 Len=0  
2019-06-15 11:50:17.661764 192.168.254.3 -> 192.168.254.4 UDP Source port: 3200 Destination port: 3200  
2019-06-15 11:50:17.653242 192.168.254.4 -> 192.168.254.3 UDP Source port: 3200 Destination port: 3200  
2019-06-15 11:50:17.872637 8c:60:4f:aa:c2:e1 -> 01:80:c2:00:00:0e LLDP Chassis Id = 8c:60:4f:aa:c2:e1 Port Id = mgmt0 TTL = 120  
2019-06-15 11:50:08.173056 192.168.254.3 -> 192.168.254.2 NTP NTP client  
2019-06-15 11:50:08.173256 192.168.254.2 -> 192.168.254.3 NTP NTP server
```

A flapping link issue has been reported on the vPC keepalive link. A packet capture has been activated on the Cisco Nexus switch.

What is the destination IP address of the vPC keepalive packets that are sent by the switch?

- A. 192.168.254.4
- B. 192.168.254.1
- C. 192.168.254.2
- D. 239.255.70.83

Show Suggested Answer





Actual exam question from Cisco's 350-601

Question #: 18

Topic #: 1

[\[All 350-601 Questions\]](#)

Due to a major version change, an engineer must perform a software upgrade on a Cisco Nexus Series switch.

Which two technologies should be implemented to reduce disruptions to the network during the upgrade? (Choose two.)

- A. vPC
- B. HSRP
- C. VDC
- D. MLAG
- E. PAgP

Show Suggested Answer



Actual exam question from Cisco's 350-601

Question #: 19

Topic #: 1

[\[All 350-601 Questions\]](#)

Refer to the exhibit.

```
restart pim
```

What is the result of running the command presented?

- A. Multicast traffic forwarding is suspended.
- B. MRIB is flushed.
- C. The PIM database is deleted.
- D. PIM join messages are suspended.

Show Suggested Answer



Actual exam question from Cisco's 350-601

Question #: 20

Topic #: 1

[\[All 350-601 Questions\]](#)

Refer to the exhibit.

```
Nexus(config)# show checkpoint summary
User Checkpoint Summary
-----
1) BeforeL3:
Created by admin
Created at Mon, 15:25:08 31 Dec 2018
Size is 9,345 bytes
Description: None

System Checkpoint Summary
-----
2) system-fm-vrrp:
Created by admin
Created at Fri, 09:57:02 14 Jun 2019
Size is 20,865 bytes
Description: Created by Feature Manager.

3) system-fm-hsrp_engine:
Created by admin
Created at Fri, 09:57:28 14 Jun 2019
Size is 20,852 bytes
Description: Created by Feature Manager.
```

What is the reason the system-fm-vrrp checkpoint was created?

- A. The VRRP process crashed and the checkpoint was automatically created.
- B. The VRRP service restarted and the checkpoint was automatically created.
- C. The network administrator manually created it.
- D. The VRRP-enabled feature has been disabled.

Show Suggested Answer



Actual exam question from Cisco's 350-601

Question #: 21

Topic #: 1

[\[All 350-601 Questions\]](#)

What are two capabilities of the Cisco Network Assurance Engine? (Choose two.)

- A. It validates that devices comply with network security policies.
- B. It predicts the impact of changes to the network.
- C. It predicts the network load on a data center.
- D. It ensures that network performance meets an SLA.
- E. It verifies the speed of network packet flows by using telemetry.

Show Suggested Answer





Actual exam question from Cisco's 350-601

Question #: 22

Topic #: 1

[\[All 350-601 Questions\]](#)

What is an advantage of streaming telemetry over SNMP?

- A. on-change traps sent to a receiver
- B. periodic push-based subscription messages
- C. periodic polling of the device status
- D. MD5-based authentication on polling

Show Suggested Answer



Actual exam question from Cisco's 350-601

Question #: 23

Topic #: 1

[\[All 350-601 Questions\]](#)

APIC EPG Resolution Immediacy is set to "Immediate".

Which statement is true about the Deployment Immediacy for VMM domains associated to EPGs?

- A. If "On demand" is selected, the policy is programmed in the hardware only when the first packet is received through the data path.
- B. If "Immediate" is selected, the policy is programmed in the hardware as soon as the leaf is booted.
- C. The "Immediate" and "On demand" options require a port group to be created on the VDS.
- D. If "On demand" is selected, the policy is programmed in the hardware only when the APIC detects a VM created in the EPG.

Show Suggested Answer

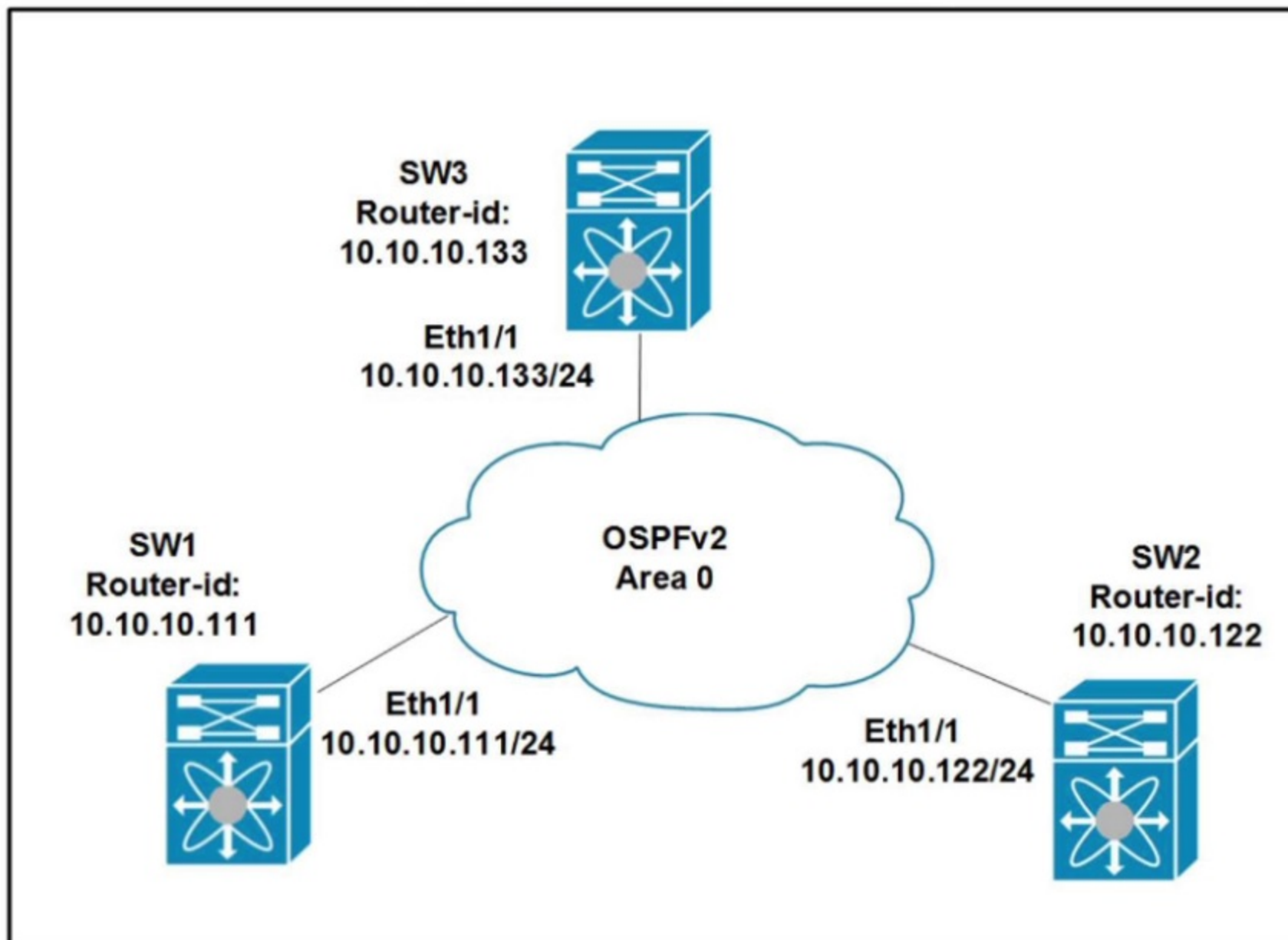


Actual exam question from Cisco's 350-601

Question #: 24

Topic #: 1

[\[All 350-601 Questions\]](#)



Refer to the exhibit. All switches are configured with the default OSPF priority. Which configuration should be applied to ensure that the SW2 Cisco Nexus switch controls the LSA floods and advertises the network to the remaining nodes in the OSPFv2 area?

- A. SW2# configure terminal SW2 (config)# interface ethernet 1/1 SW2 (config-if)# ip ospf priority 255
- B. SW2# configure terminal SW2 (config)# interface ethernet 1/1 SW2 (config-if)# ip ospf priority 1
- C. SW2# configure terminal SW2 (config)# router ospf 1 SW2 (config-router)# router-id 10.10.10.22
- D. SW2# configure terminal SW2 (config)# interface ethernet 1/1 SW2 (config-if)# ip ospf priority 0

Show Suggested Answer

Actual exam question from Cisco's 350-601

Question #: 25

Topic #: 1

[\[All 350-601 Questions\]](#)

DRAG DROP -

```
; Router 1 configuration
```

```
interface loopback1
```

```
ip address 10.10.32.121/30
```

```
ip ospf network point-to-point
```

```
ip router ospf 1 area 0.0.0.0
```

```
ip pim sparse-mode
```

```
ip pim rp-address 10.10.32.122 group-list 225.0.0.0/8 bi-dir
```

Refer to the exhibit. In a bidirectional PIM network using Phantom RP as an RP redundancy mechanism, two Cisco NX-OS routers have these requirements:

⇒ R1 must be the active RP.

⇒ R2 must be the backup RP that is used only if R1 is not reachable.

Drag and drop the configuration steps to complete the configuration for Router 2. Not all configuration steps are used.

Select and Place:

```
; Router 2 configuration
```

```
interface loopback1
```

```
ip address
```

```
ip ospf network
```

```
ip router ospf 1 area 0.0.0.0
```

```
ip pim
```

```
ip pim rp-address
```

```
group-list 225.0.0.0/8 bi-dir
```

10.10.32.121/32

point-to-point

10.10.32.121/29

sparse-mode

10.10.32.121

broadcast

10.10.32.122

dense-mode

Show Suggested Answer

Actual exam question from Cisco's 350-601

Question #: 26

Topic #: 1

[\[All 350-601 Questions\]](#)

An engineer must configure a Nexus 7000 series switch for HSRP on VLAN 100. When fully functional, the router must be the active master. Which set of commands must be used to implement the scenario?

- A. feature hsrp interface vlan100 ip address 10.1.1.2 255.255.255.0 priority 255 preempt hsrp version 2 hsrp 1000 ip 10.1.1.1
- B. feature-set hsrp interface vlan100 ip address 10.1.1.2 255.255.255.0 priority 20 preempt hsrp version 2 hsrp 1000 ip 10.1.1.1
- C. feature-set hsrp interface vlan100 ip address 10.1.1.2 255.255.255.0 priority 80 preempt hsrp version 2 hsrp 1000 ip 10.1.1.1
- D. feature hsrp interface vlan100 ip address 10.1.1.2 255.255.255.0 priority 240 preempt hsrp version 2 hsrp 1000 ip 10.1.1.1

Show Suggested Answer





Actual exam question from Cisco's 350-601

Question #: 27

Topic #: 1

[\[All 350-601 Questions\]](#)

Which MAC address is an HSRP version 2?

- A. 3842.4250.0000
- B. 0000.0C07.AC1H
- C. 0000.0C9F.F0C8
- D. 0100.5E7F.FFFF

Show Suggested Answer



Actual exam question from Cisco's 350-601

Question #: 28

Topic #: 1

[\[All 350-601 Questions\]](#)

```
switch# show vpc brief
```

```
Legend:
```

```
 (*) - local vPC is down, forwarding via vPC peer-link
```

```
vPC domain id           : 10
Peer status             : peer adjacency formed ok
vPC keep-alive status   : peer is alive
Configuration consistency status : success
Type-2 consistency status : success
vPC role                : primary
Number of vPCs configured : 1
Peer Gateway            : Enabled
Dual-active excluded VLANs : -
```

```
vPC Peer-link status
```

```
-----
id  Port  Status  Active vlans
--  ---  -
1   Po20  up      100-105
```

```
vPC status
```

```
-----
id  Port  Status  Consistency  Reason  Active vlans
--  ---  -
7   Po7   up      success      success  100-104
8   Po8   up      success      success  100-102
9   Po9   up      success      success  100-103
```

Refer to the exhibit. Which VLANs are capable to be assigned on vPC interfaces?

- A. 100-102
- B. 100-103
- C. 100-104
- D. 100-105

Show Suggested Answer

Actual exam question from Cisco's 350-601

Question #: 29

Topic #: 1

[\[All 350-601 Questions\]](#)

An engineer need to implement a solution that prevents loops from occurring accidentally by connecting a switch to interface Ethernet1/1. The port is designated to be used for host connectivity. Which configuration should be implemented?

- A. `switch# configure terminal switch(config)# interface Ethernet1/1 switch(config-if)# spanning-tree bpduguard enable`
- B. `switch# configure terminal switch(config)# interface Ethernet1/1 switch(config-if)# spanning-tree guard loop`
- C. `switch# configure terminal switch(config)# interface Ethernet1/1 switch(config-if)# spanning-tree loopguard default`
- D. `switch# configure terminal switch(config)# interface Ethernet1/1 switch(config-if)# spanning-tree bpdufilter enable`

Show Suggested Answer





Actual exam question from Cisco's 350-601

Question #: 30

Topic #: 1

[\[All 350-601 Questions\]](#)

A network engineer repeatedly saves a configuration on Catalyst switches to NVRAM using the write memory command. Which action should be taken to implement the same action on Nexus switches?

- A. Use the alias command to use the write memory command.
- B. Use the wri command to use the copy running-config startup-config command.
- C. Use the exit command to leave the configuration mode and save the configuration automatically.
- D. Use the write memory command to save the configuration.

Show Suggested Answer



Actual exam question from Cisco's 350-601

Question #: 31

Topic #: 1

[\[All 350-601 Questions\]](#)

What occurs when running the command `install deactivate <filename>` while a software maintenance upgrade is performed on a Cisco Nexus 9000 Series switch?

- A. The current set of packages is committed.
- B. The package features for the line card are disabled.
- C. The package is removed from the switch.
- D. The current upgrade stops.

Show Suggested Answer





Actual exam question from Cisco's 350-601

Question #: 32

Topic #: 1

[\[All 350-601 Questions\]](#)

An engineer installed a new Nexus switch with the mgm0 interface in vrf management. Connectivity to the rest of the network needs to be tested from the guest shell of the NX-OS. Which command tests connectivity from the guest shell of the NX-OS?

- A. [guestshell@guestshell ~]\$ dohost "ping vrf management 173.37.145.84"
- B. [guestshell@guestshell ~]\$ chvrf management ping 173.37.145.84
- C. [guestshell@guestshell ~]\$ ping 173.37.145.84 vrf management
- D. [guestshell@guestshell ~]\$ iping vrf management ip 173.37.145.84

Show Suggested Answer





Actual exam question from Cisco's 350-601

Question #: 33

Topic #: 1

[\[All 350-601 Questions\]](#)

A DNS server with IP address 192.168.1.1 is deployed in a data center. A network engineer must configure a Cisco UCS Fabric Interconnect to use this DNS. Which configuration should be applied?

- A. `ficl-mgmt-A# scope fabric-interconnect a ficl-mgmt-A /fabric-interconnect # set name 192.168.1.1 ficl-mgmt-A /fabric-interconnect # scope system ficl-mgmt-A /system # commit-buffer`
- B. `ficl-mgmt-A# scope system ficl-mgmt-A /system # create dns 192.168.1.1 ficl-mgmt-A /system* # commit-buffer`
- C. `ficl-mgmt-A# scope fabric-interconnect a ficl-mgmt-A /fabric-interconnect # set name 192.168.1.1 ficl-mgmt-A /fabric-interconnect* # commit-buffer`
- D. `ficl-mgmt-A# scope system ficl-mgmt-A /system # scope services ficl-mgmt-A /system/services # create dns 192.168.1.1 ficl-mgmt-A /system/services* # commit-buffer`

Show Suggested Answer



Actual exam question from Cisco's 350-601

Question #: 34

Topic #: 1

[\[All 350-601 Questions\]](#)

```
monitor fabric session mySession
  description "This is my fabric ERSPAN session"
  destination tenant t1 application app1 epg epg1 destination-ip 192.0.20.123 source-ip-prefix 10.0.20.1
  erspan-id 100
  ip dscp 42
  ip ttl 16
  mtu 9216
  exit
source interface eth 1/1 switch 101
  direction tx
  filter tenant t1 bd bd1
  filter tenant t1 vrf vrf1
no shut
```

Refer to the exhibit. An engineer needs to implement a monitoring session that should meet the following requirements:

- ⇒ Monitor traffic from leaf to leaf switches on a Cisco ACI network
- ⇒ Support filtering traffic from Bridge Domain or VRF

Which configuration must be added to meet these requirements?

- A. interface eth 1/2 leaf 101
- B. application epg epg1 app1
- C. interface eth 1/2 switch 101
- D. application app1 epg epg1

Show Suggested Answer



Actual exam question from Cisco's 350-601

Question #: 35

Topic #: 1

[\[All 350-601 Questions\]](#)

An engineer is implementing OTV on a transport that supports multicast. The solution needs to meet the following requirements:

⇒ Establish adjacency to the remote peer by using multicast.

Enable OTV advertisements for VLAN 100 to the other site.

▪

Which two commands should be configured to meet these requirements? (Choose two.)

- A. `otv extend-vlan 100`
- B. `otv site-vlan 100`
- C. `otv use-adjacency-server 172.27.255.94`
- D. `otv data-group 232.2.2.0/28`
- E. `otv control-group 232.1.1.1`

Show Suggested Answer



Actual exam question from Cisco's 350-601

Question #: 36

Topic #: 1

[\[All 350-601 Questions\]](#)

An engineer needs to create a new user in the local user database on Cisco UCS Fabric Interconnect. The user needs permissions to change the following configuration inside UCS Manager version 3.1:

- ⇒ vNIC and vHBA profiles
- ⇒ Fan speed and power redundancy profile of UCS Manager

Which two roles must be assigned to a user to achieve this goal? (Choose two.)

- A. facility-manager
- B. server-equipment
- C. operations
- D. server-profile
- E. server-compute

Show Suggested Answer

Actual exam question from Cisco's 350-601

Question #: 37

Topic #: 1

[\[All 350-601 Questions\]](#)

```
SWB# ethanalyzer local interface mgmt brief limit-captured-frames 50
Capturing on mgmt0
 1.130599 192.168.254.1 -> 192.168.254.13 TCP 60 29652 > ssh [ACK] Seq=1 Ack=53
Win=32449 Len=0
 1.136261 00:8e:73:a2:41:0e -> Spanning-tree-(for-bridges)_00 STP 60 Conf. Root =
8192/10/ec:e1:a9:df:6c:80 Cost = 22 Port = 0x800e
 1.373417 192.168.254.13 -> 192.168.254.1 SSH 106 Encrypted response packet len=52
 1.570377 192.168.254.1 -> 192.168.254.13 TCP 60 29652 > ssh [ACK] Seq=1 Ack=105
Win=32786 Len=0
 1.815558 192.168.254.13 -> 192.168.254.1 SSH 106 Encrypted response packet len=52
 2.021840 192.168.254.1 -> 192.168.254.13 TCP 60 29652 > ssh [ACK] Seq=1 Ack=157
Win=32773 Len=0
 2.525173 192.168.254.13 -> 192.168.254.1 SSH 106 Encrypted response packet len=52
 2.731382 192.168.254.1 -> 192.168.254.13 TCP 60 29652 > ssh [ACK] Seq=1 Ack=209
Win=32760 Len=0
 2.947365 192.168.254.13 -> 192.168.254.1 NTP 90 NTP Version 2, client
 2.947623 192.168.254.1 -> 192.168.254.13 NTP 90 NTP Version 2, server
 3.138157 00:8e:73:a2:41:0e -> Spanning-tree-(for-bridges)_00 STP 60 Conf. Root =
8192/10/ec:e1:a9:df:6c:80 Cost = 22 Port = 0x800e
 3.139400 192.168.254.13 -> 192.168.254.1 SSH 106 Encrypted response packet len=52
 3.270728 192.168.254.4 -> 239.255.70.83 UDP 166 Source port: cfs Destination port:
cfs
 3.341123 192.168.254.1 -> 192.168.254.13 TCP 60 29652 > ssh [ACK] Seq=1 Ack=261
Win=32747 Len=0
 3.835409 192.168.254.13 -> 192.168.254.1 SSH 106 Encrypted response packet len=52
 4.041411 192.168.254.1 -> 192.168.254.13 TCP 60 29652 > ssh [ACK] Seq=1 Ack=313
Win=32734 Len=0
 4.535284 192.168.254.13 -> 192.168.254.1 SSH 106 Encrypted response packet len=52
 4.741072 192.168.254.1 -> 192.168.254.13 TCP 60 29652 > ssh [ACK] Seq=1 Ack=365
Win=32721 Len=0
 4.947308 192.168.254.13 -> 192.168.254.1 NTP 90 NTP Version 2, client
 4.947519 192.168.254.1 -> 192.168.254.13 NTP 90 NTP Version 2, server
 5.139627 00:8e:73:a2:41:0e -> Spanning-tree-(for-bridges)_00 STP 60 Conf. Root =
8192/10/ec:e1:a9:df:6c:80 Cost = 22 Port = 0x800e
 5.140867 192.168.254.13 -> 192.168.254.1 SSH 106 Encrypted response packet len=52
```

Refer to the exhibit. Cisco Fabric Services is enabled in the network. Which type of IP address is used by the Cisco Fabric Services protocol?

- A. IPv4 multicast address
- B. IPv4 unicast address
- C. IPv4 gateway address
- D. IPv4 anycast address

Show Suggested Answer

Actual exam question from Cisco's 350-601

Question #: 38

Topic #: 1

[\[All 350-601 Questions\]](#)

```
switch# show install all impact epld n9000-epld.9.2.1.img
Compatibility check:
Module      Type      Upgradable  Impact      Reason
-----
      1      SUP        YES        disruptive  Module Upgradable

Retrieving EPLD versions... Please wait.

Images will be upgraded according to following table:
Module  Type  EPLD          Running-Version  New-Version  Upg-Required
-----
      1  SUP  MI FPGA      0x23            0x23        No
      1  SUP  IO FPGA      0x06            0x06        No
      1  SUP  MI FPGA2    0x23            0x23        No
```

Refer to the exhibit. A network engineer plans to upgrade the current software images of a Cisco Nexus switch. What is the impact of starting the EPLD upgrade?

- A. The switch reboots one time for the new EPLD versions to take effect.
- B. The switch reboots multiple times for the new EPLD versions to take effect.
- C. The switch skips the EPLD upgrade for each EPLD device of the switch.
- D. The switch skips the EPLD upgrade for MIFPGA and proceeds with the other EPLD devices.

Show Suggested Answer



Actual exam question from Cisco's 350-601

Question #: 39

Topic #: 1

[\[All 350-601 Questions\]](#)

Which behavior defines streaming telemetry as a push model in Cisco devices?

- A. Events and network changes generate telemetry data
- B. Monitoring clients are pulling data from the network to see real-time statistics
- C. JSON encoded telemetry data is transported using the gRPC protocol
- D. The network devices send data in JSON or GPB format to configure endpoints

Show Suggested Answer



Actual exam question from Cisco's 350-601

Question #: 40

Topic #: 1

[\[All 350-601 Questions\]](#)

After a Cisco Nexus 7000 Series Switch chassis replacement, the administrator discovers that all vPC-enabled LACP port channels are reinitialized. The administrator wants to prevent this issue the next time the chassis is replaced. Which two actions must be taken to meet this requirement before the isolated device is reloaded? (Choose two.)

- A. Change the vPC system-priority of the replacement chassis to a higher value than the peer
- B. Set the vPC MAC address to a higher value than the peer
- C. Configure auto-recovery to the disable state on both peers
- D. Set the vPC MAC address to a lower value than the peer
- E. Change the vPC system-priority of the replacement chassis to a lower value than the peer

Show Suggested Answer

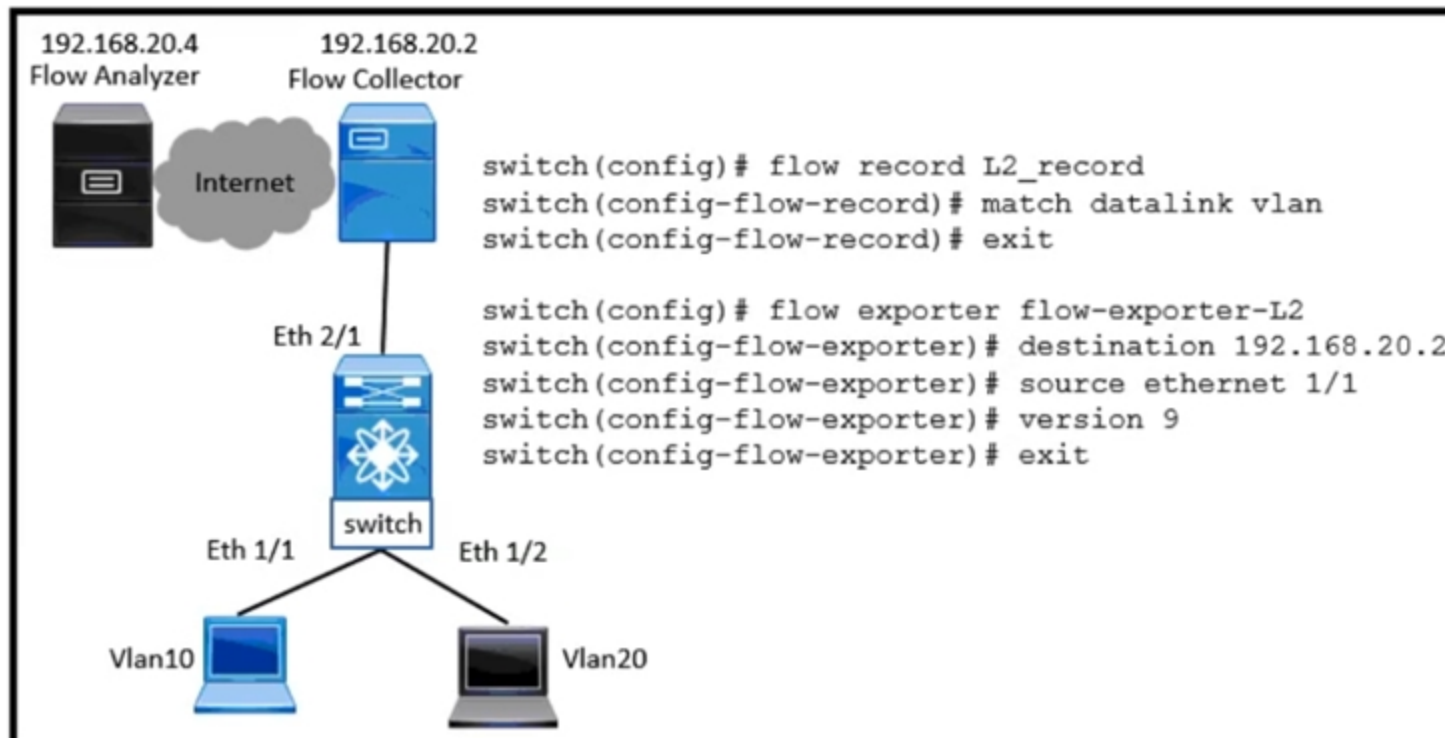


Actual exam question from Cisco's 350-601

Question #: 41

Topic #: 1

[\[All 350-601 Questions\]](#)



Refer to the exhibit. VLAN 10 is experiencing delays and packet drops when the traffic is forwarded through the switch. The destination flow analyzer accepts traffic captures of not more than 30 seconds. Which configuration implements the traffic capture that meets the requirements?

A.

```

switch(config)# flow timeout 30000
switch(config)# interface ethernet 1/1
switch(config-if)# switchport
switch(config-if)# switchport access vlan 10
switch(config-if)# ip flow monitor L2_monitor output

```

B.

```

switch(config)# interface ethernet 1/1
switch(config-if)# flow timeout 30
switch(config-if)# switchport access vlan 10
switch(config-if)# mac packet-classify
switch(config-if)# ip flow monitor L2_monitor input

```

C.

```

switch(config)# interface ethernet 1/1
switch(config)# flow timeout 30000
switch(config-if)# switchport
switch(config-if)# layer2-switched flow monitor L2_monitor output
switch(config-if)# switchport access vlan 10

```

D.

```

switch(config)# flow timeout 30
switch(config)# interface ethernet 1/1
switch(config-if)# switchport
switch(config-if)# switchport access vlan 10
switch(config-if)# mac packet-classify
switch(config-if)# layer2-switched flow monitor L2_monitor input

```

Show Suggested Answer



Actual exam question from Cisco's 350-601

Question #: 42

Topic #: 1

[\[All 350-601 Questions\]](#)

An engineer performs a set of configuration changes for the vPC domain using Session Manager. Which two commands are used to verify the configuration and apply the device changes when no errors are returned? (Choose two.)

- A. commit
- B. verify
- C. apply
- D. checkpoint
- E. write

Show Suggested Answer



Actual exam question from Cisco's 350-601

Question #: 43

Topic #: 1

[\[All 350-601 Questions\]](#)

LAN / Traffic Monitoring Sessions / Fabric A / Monitor Session test-span

General **Faults** Events

Actions	Properties
Set Destination	Name : test-span
Clear Destination	Admin State : <input checked="" type="radio"/> Enabled <input type="radio"/> Disabled
Delete	Destination : sys/switch-A/slot-1/switch-ether/port-17
	Admin Speed : <input type="radio"/> 1 Gbps <input checked="" type="radio"/> 10 Gbps <input type="radio"/> 40 Gbps
	Operational State : Down
	Operational State Reason : No Sources Configured
	Configuration Success : Yes
	Configuration Failure Reason :
	Sources

Refer to the exhibit. An engineer must monitor all LAN traffic on Fabric A from a blade server. Which source should be configured in the test-span monitor session to complete this task?

- A. all uplink FCoE ports
- B. all vNICs from the service profile that correspond to this server
- C. all uplink Ethernet ports
- D. all vHBAs from the service profile that correspond to this server

Show Suggested Answer

Actual exam question from Cisco's 350-601

Question #: 44

Topic #: 1

[\[All 350-601 Questions\]](#)

An engineer configured an environment that contains the vPC and non-vPC switches. However, it was noticed that the downstream non-vPC switches do not receive the same STP bridge ID from the upstream vPC switch peers. Which vPC feature must be implemented to ensure that vPC and non-vPC switches receive the same STP bridge ID from the upstream vPC switch peers?

- A. vpc local role-priority 4000
- B. peer-switch
- C. system-mac 0123.4567.89ab
- D. peer-gateway

Show Suggested Answer





Actual exam question from Cisco's 350-601

Question #: 45

Topic #: 1

[\[All 350-601 Questions\]](#)

A network architect wants to propose a scalable network monitoring solution in which data is repeatedly acquired from network devices. The solution must use a push model and provide close to real-time access to operational data. Which technology must be used to meet these requirements?

- A. CLI-based scripting
- B. logging
- C. SNMPv3
- D. streaming telemetry

Show Suggested Answer



Actual exam question from Cisco's 350-601

Question #: 46

Topic #: 1

[\[All 350-601 Questions\]](#)

A Cisco MDS 9000 Series Switch is configured for SAN Analytics and SAN Telemetry Streaming. An engineer must enable analytics for NVMe on interfaces in the range of fc1/1-12. Due to a large amount of traffic generated in the SAN environment, the data must be collected at regular intervals of 60 seconds from ports fc1/1-12 and then for ports fc1/13-24 for the next 60 seconds. Ports in the range fc1/13-24 were already enabled for analytics. Which set of commands must be used to meet these requirements?

A.

```
analytics port-sampling module 1 size 12 interval 60000
```

```
interface fc1/1-12
  analytics fc-scsi
  analytics fc-nvme
```

B.

```
analytics port-sampling module 1 size 12 interval 60
```

```
interface fc1/1-12
  analytics type fc-nvme
```

C.

```
interface fc1/1-12
  port-sampling module 1 size 12 interval 60
  analytics nvme
```

D.

```
interface fc1/1-12
  port-sampling module 1 size 12 interval 60000
  analytics type fc-scsi
```

Show Suggested Answer



Actual exam question from Cisco's 350-601

Question #: 47

Topic #: 1

[\[All 350-601 Questions\]](#)

A customer needs a tool to take advantage of the CI/CD model to streamline its operations and optimize cost. The customer wants to integrate the solution with the Cisco products it currently uses, including Cisco ACI networking and Cisco UCS Series servers. The solution should also provide on-premises Kubernetes and AppDynamics performance monitoring. Because of the security requirements, the solution should not install a local client on products under management. Which orchestration solution meets these requirements?

- A. Cisco UCS Director
- B. Cisco CloudCenter
- C. Cisco APIC
- D. Cisco DCNM

Show Suggested Answer





Actual exam question from Cisco's 350-601

Question #: 48

Topic #: 1

[\[All 350-601 Questions\]](#)

A customer wants to offload some of its order processing to a public cloud environment. The customer environment is based on Cisco ACI and uses Puppet with containerized applications. The operations team requires a solution to orchestrate and optimize the cost of the new solution. Which product must be used to meet these requirements?

- A. Cisco Workload Optimization Manager
- B. Cisco CloudCenter
- C. Cisco Intersight
- D. Cisco Data Center Network Manager

Show Suggested Answer



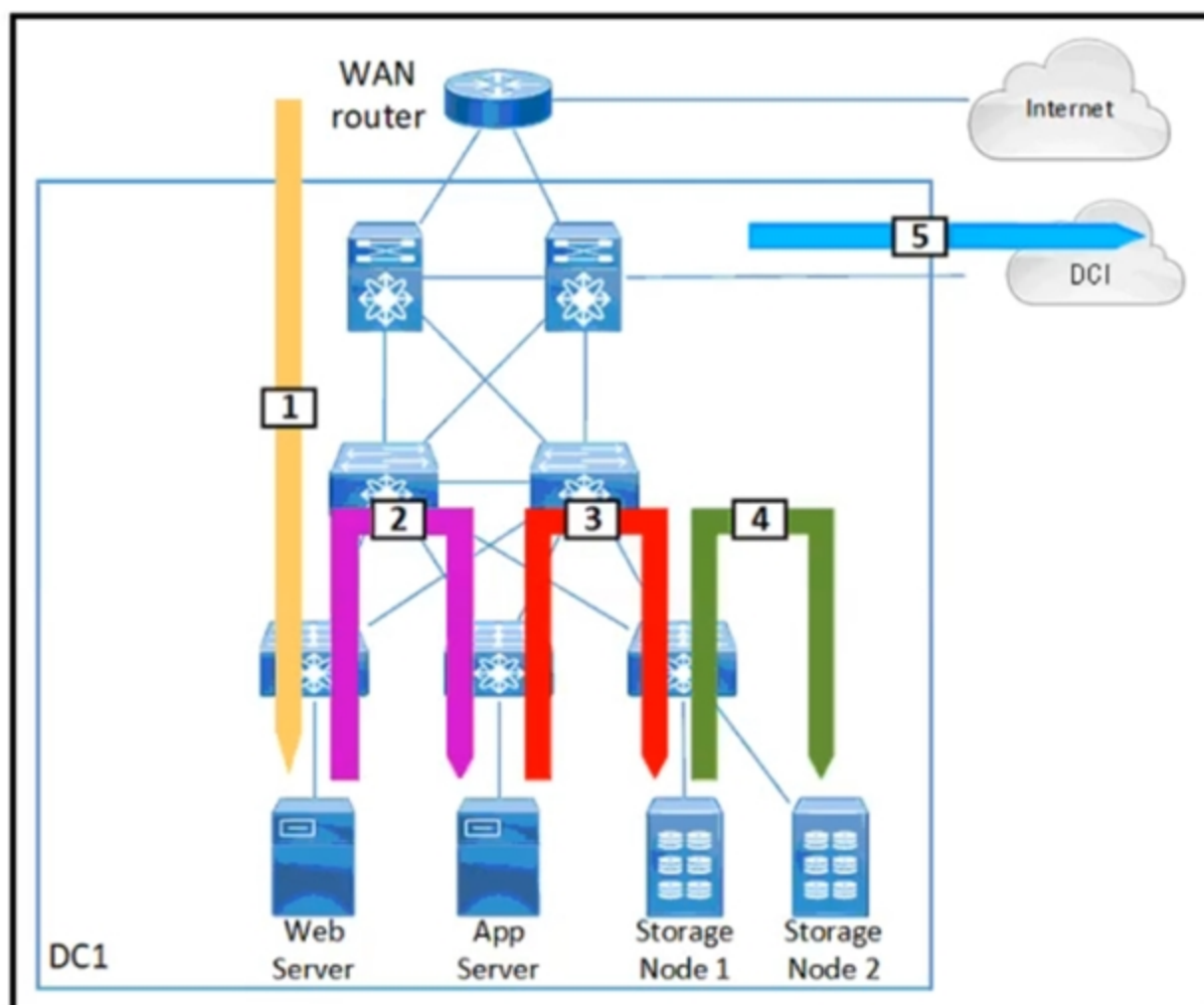
Actual exam question from Cisco's 350-601

Question #: 49

Topic #: 1

[\[All 350-601 Questions\]](#)

DRAG DROP -



Refer to the exhibit. Drag and drop each traffic flow type from the left onto the corresponding number on the right. Not all traffic flow types are used.

Select and Place:

Inter-Data Center

East-West

North-West

North-South

South-West

Storage Traffic

Storage Replication

1

2

3

4

5

Show Suggested Answer

Actual exam question from Cisco's 350-601

Question #: 50

Topic #: 1

[\[All 350-601 Questions\]](#)

DRAG DROP -

A network engineer is asked to describe the cloud infrastructure models from the perspective of their operation and access to resources. Drag and drop the descriptions from the left onto the appropriate characteristics on the right.

Select and Place:

Provisioned for open use

At least two or more separate cloud infrastructures are connected together to facilitate hosted data and application portability

Owned, managed, and operated by one or more organizations or teams

Owned, managed, and operated by a single organization

Private cloud

Community cloud

Public cloud

Hybrid cloud

Show Suggested Answer

Actual exam question from Cisco's 350-601

Question #: 51

Topic #: 1

[\[All 350-601 Questions\]](#)

An engineer must configure OSPF routing on Cisco Nexus 9000 Series Switches. The IP subnet of the Eth1/2 interfaces for both switches must be advertised via OSPF. However, these interfaces must not establish OSPF adjacency or send routing updates. The current OSPF adjacency over the interfaces Eth1/1 on SW1 and Eth1/1 on SW2 must remain unaffected. Which configuration must be applied to both Nexus switches to meet these requirements?

A.

```
interface ethernet 1/2  
passive-interface default
```

B.

```
interface ethernet 1/2  
ip ospf network point-to-point
```

C.

```
interface ethernet 1/2  
ip ospf passive-interface
```

D.

```
interface ethernet 1/2  
no ip ospf passive-interface
```

Show Suggested Answer



Actual exam question from Cisco's 350-601

Question #: 52

Topic #: 1

[\[All 350-601 Questions\]](#)

A network engineer must perform a backup and restore of the Cisco Nexus 5000 Series Switch configuration. The backup must be made to an external backup server. The only protocol permitted between the Cisco Nexus Series switch and the backup server is UDP. The backup must be used when the current working configuration of the switch gets corrupted. Which set of steps must be taken to meet these requirements?

- A. 1. Perform a running-config backup to an SFTP server. 2. Copy backup-config from the SFTP server to the running-config file.
- B. 1. Perform a startup-config backup to a TFTP server. 2. Copy backup-config from the backup server to the running-config file.
- C. 1. Perform a running-config backup to an SCP server. 2. Copy running-config in the boot flash to the running-config file.
- D. 1. Perform a startup-config backup to an FTP server. 2. Copy startup-config in the boot flash to the running-config file.

Show Suggested Answer



Actual exam question from Cisco's 350-601

Question #: 53

Topic #: 1

[\[All 350-601 Questions\]](#)

```
interface Ethernet1/1
  description Server1
interface Ethernet1/2
  description Server2
interface Ethernet1/3
  description Server3
interface Ethernet1/4
  description Server4
interface Ethernet1/5
  description Server5
```

Refer to the exhibit. Which command is run from the Guest Shell to set the description on the first five interfaces of the Cisco Nexus switch?

- A. [guestshell@guestshell ~]\$ for x in {1..5}; dohost x€conf t ; interface eth1/\$x ; description Server\$x€;
- B. [guestshell@guestshell ~]\$ for x in {1..5}; do dohost x€conf t ; interface eth1/\$x ; description Server\$x€; done
- C. [guestshell@guestshell ~]\$ for x in (1..5); do dohost x€conf t x ; €x€interface eth1/\$x ; €x€description Server\$x€; done
- D. [guestshell@guestshell ~]\$ for x in (1..5); dohost x€conf t ; interface eth1/\$x ; description Server\$x€;

Show Suggested Answer



Actual exam question from Cisco's 350-601

Question #: 54

Topic #: 1

[\[All 350-601 Questions\]](#)

An engineer must configure multiple EPGs on a single access port in a large Cisco ACI fabric without using VMM integration. The relevant access policies and tenant policies have been created. A single AAEP is used to configure the access ports in the fabric. Which two additional steps must be taken to complete the configuration? (Choose two.)

- A. The EPGs must link directly to the corresponding AAEP
- B. A contract must be defined between the EPGs
- C. The EPGs must be configured as static ports
- D. The corresponding bridge domains must be configured in legacy mode
- E. The EPGs must be linked to the correct physical domain

Show Suggested Answer





Actual exam question from Cisco's 350-601

Question #: 55

Topic #: 1

[\[All 350-601 Questions\]](#)

Several production and development database servers exist in the same EPG and IP subnet. The IT security policy is to prevent connections between production and development. Which attribute must be used to assign the servers to different microsegments?

- A. data center
- B. VM name
- C. IP address
- D. VMM domain

[Show Suggested Answer](#)





Actual exam question from Cisco's 350-601

Question #: 56

Topic #: 1

[\[All 350-601 Questions\]](#)

An environment consists of a Cisco MDS 9000 Series Switch that uses port channels. An engineer must ensure that frames between the source and the destination follow the same links for a specific flow. Subsequent flows are allowed to use a different link. Which load balancing method should be used to accomplish this goal?

- A. src-id/dst-id
- B. src-dst-oui
- C. src-dst-port
- D. src-id/dst-id/oxid

Show Suggested Answer

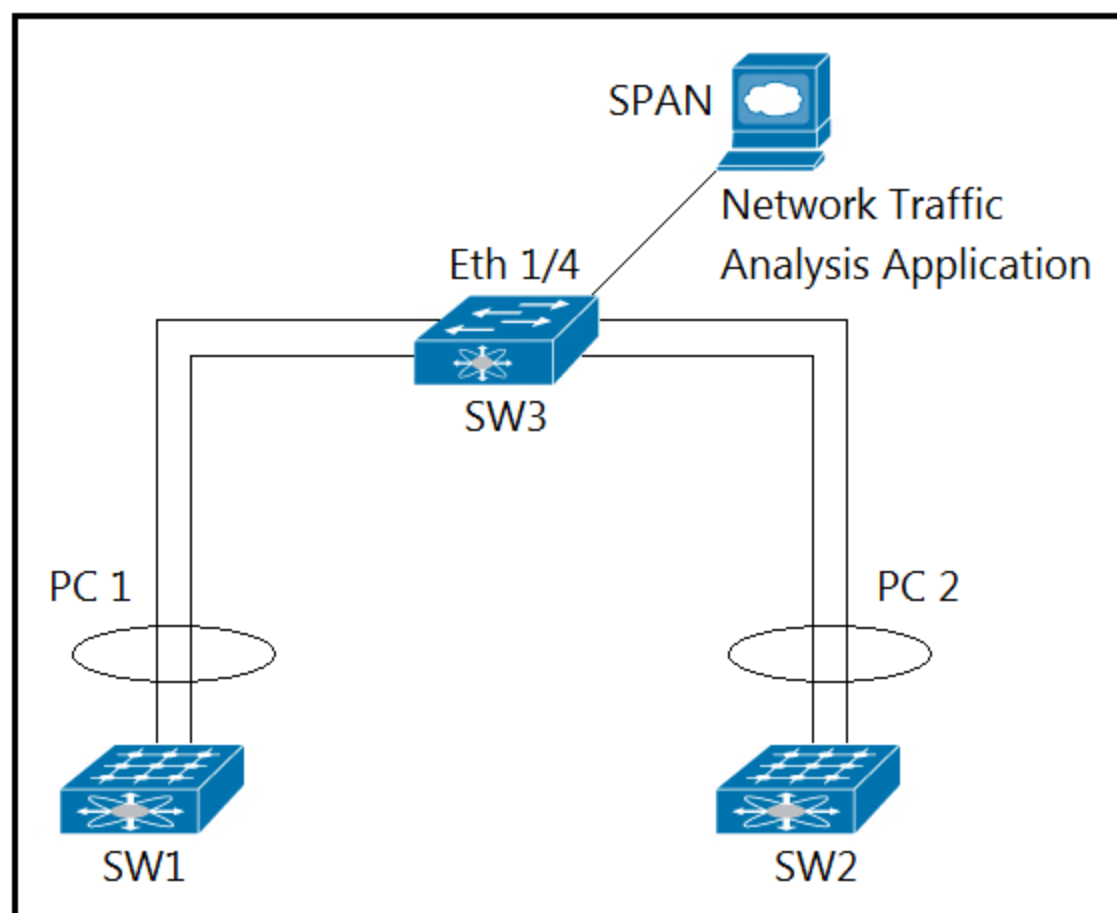


Actual exam question from Cisco's 350-601

Question #: 57

Topic #: 1

[\[All 350-601 Questions\]](#)



Refer to the exhibit. An engineer must monitor ingress traffic from SW1 and SW2 port-channel interfaces from SW3. Which configuration must be implemented to accomplish this goal?

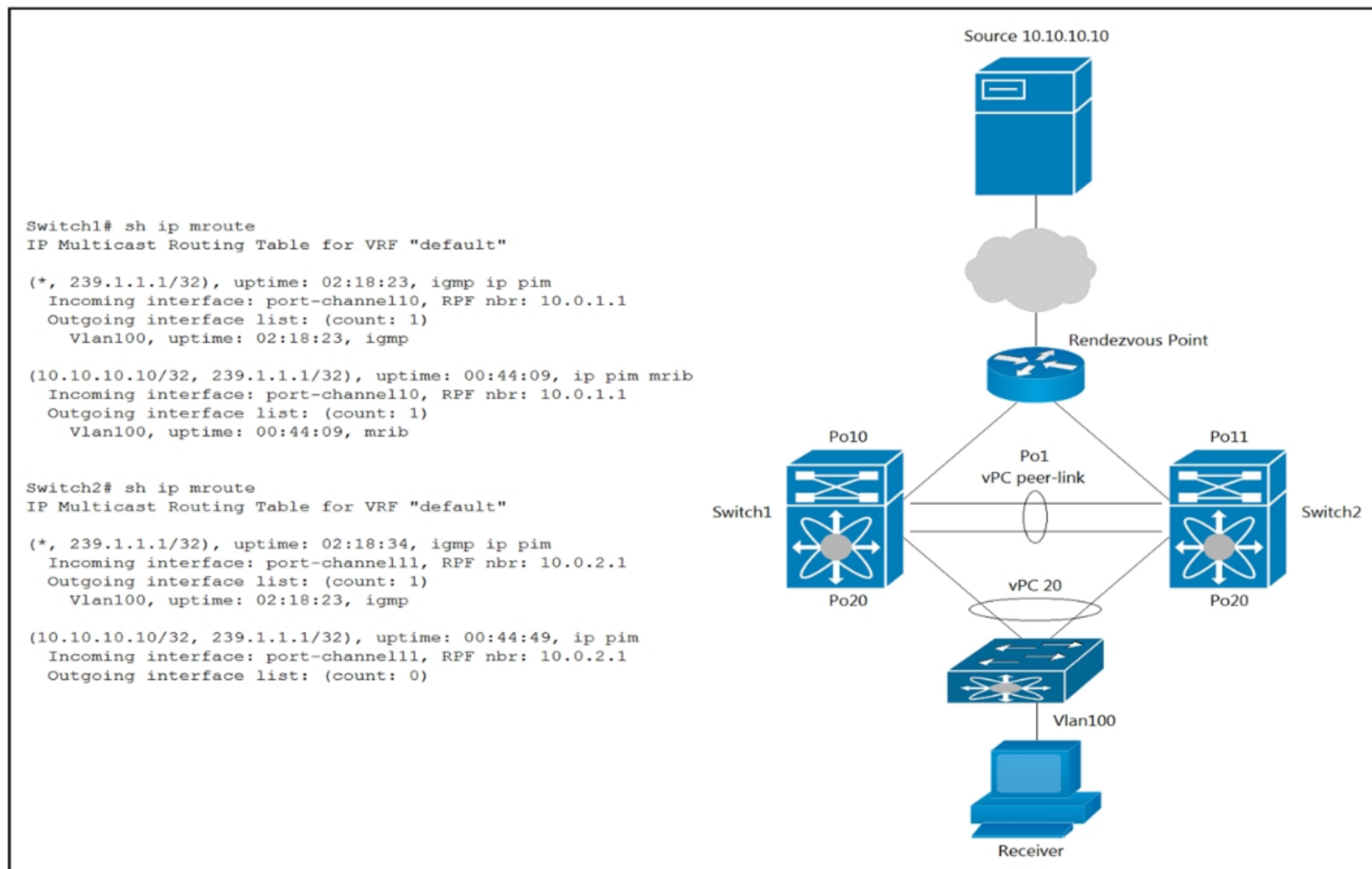
- SW3# **configure terminal**
 SW3(config)# **source interface port-channel 1 rx**
 SW3(config)# **source interface port-channel 2 tx**
- SW3(config)# **interface ethernet 1/4**
 A. SW3(config-if)# **destination interface ethernet 1/4**
 SW3(config-if)# **exit**
- SW3(config)# **interface Port-channel 1-2**
 SW3(config-if)# **switchport monitor**
 SW3(config-if)# **exit**
- SW3# **configure terminal**
 SW3(config)# **monitor session 2**
 SW3(config-monitor)# **source interface port-channel 1 rx**
 SW3(config-monitor)# **source interface port-channel 2 rx**
- B. SW3(config)# **interface ethernet 1/4**
 SW3(config-if)# **switchport monitor**
 SW3(config-if)# **exit**
- SW3(config)# **monitor session 2**
 SW3(config-monitor)# **destination interface ethernet 1/4**
- SW3# **configure terminal**
 SW3(config)# **monitor session 2**
 SW3(config-monitor)# **source interface port-channel 1 tx**
 SW3(config-monitor)# **source interface port-channel 2 tx**
- C. SW3(config)# **interface Port-channel 1**
 SW3(config-if)# **switchport monitor**
 SW3(config-if)# **exit**
- SW3(config)# **interface Port-channel 2**
 SW3(config-if)# **switchport monitor**
 SW3(config-if)# **exit**
- SW3# **configure terminal**
 SW3(config)# **monitor session 2**
 SW3(config-monitor)# **source interface port-channel 1 tx**
 SW3(config-monitor)# **source interface port-channel 2 rx**
- D. SW3(config)# **interface port-channel 1**
 SW3(config-if)# **switchport monitor**
 SW3(config-if)# **exit**
- SW3(config)# **interface port-channel 2**
 SW3(config-if)# **switchport monitor**
 SW3(config-if)# **exit**

Actual exam question from Cisco's 350-601

Question #: 58

Topic #: 1

[\[All 350-601 Questions\]](#)



Refer to the exhibit. A host with a source address 10.10.10.10 sends traffic to multicast group 239.1.1.1. How do the vPC switches forward the multicast traffic?

- A. If multicast traffic is received on Switch1 over the vPC peer-link, the traffic is dropped
- B. If multicast traffic is received on Po10 Switch1, the traffic is forwarded out on Po1 and Po20
- C. If multicast traffic is received on Po11 Switch2, the traffic is forwarded out only on Po20
- D. If multicast traffic is received on Po11 Switch2, the traffic is dropped.

Show Suggested Answer



Actual exam question from Cisco's 350-601

Question #: 59

Topic #: 1

[\[All 350-601 Questions\]](#)

A network architect must redesign a data center network based on OSPFv2. The network must perform fast reconvergence between directly connected switches. Which two actions must be taken to meet the requirements? (Choose two.)

- A. Set low OSPF hello and DEAD timers.
- B. Configure all links on AREA 0.
- C. Enable BFD for failure detection.
- D. Use OSPF point-to-point links only.
- E. Implement a virtual link between the switches.

Show Suggested Answer

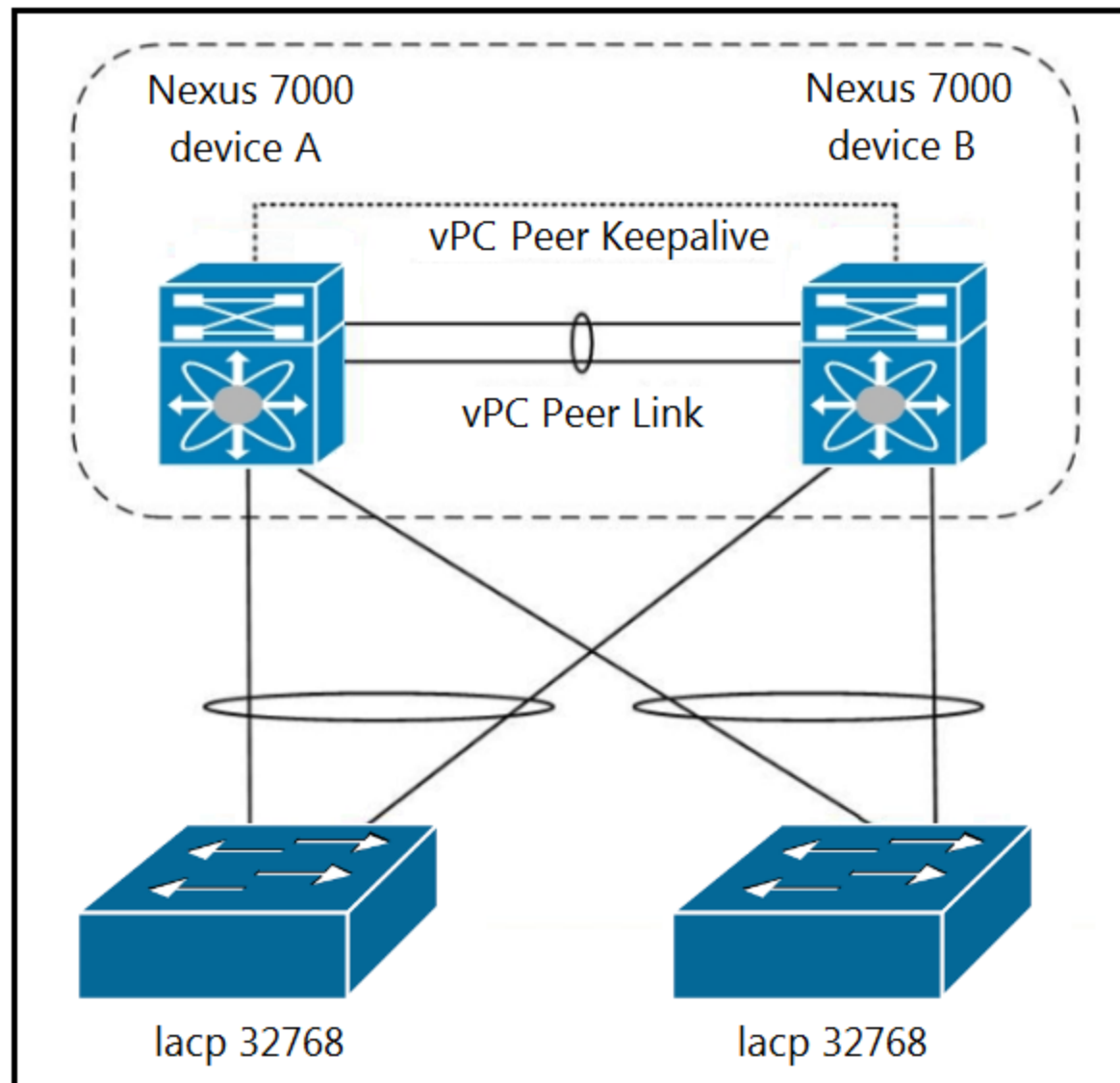


Actual exam question from Cisco's 350-601

Question #: 60

Topic #: 1

[\[All 350-601 Questions\]](#)



Refer to the exhibit. Which configuration ensures that the Cisco Nexus 7000 Series Switches are the primary devices for LACP?

- A. N7K_A(config-vpc-domain)# role priority 1 N7K_B(config-vpc-domain)# role priority 2
- B. N7K_A(config-vpc-domain)# system-priority 32768 N7K_B(config-vpc-domain)# system-priority 32768
- C. N7K_A(config-vpc-domain)# system-priority 100 N7K_B(config-vpc-domain)# system-priority 200
- D. N7K_A(config-vpc-domain)# system-priority 4000 N7K_B(config-vpc-domain)# system-priority 4000

Show Suggested Answer

Actual exam question from Cisco's 350-601

Question #: 61

Topic #: 1

[\[All 350-601 Questions\]](#)

```
switch(config-dest) # sensor-group 100  
switch(conf-tm-sensor) # path show_stats_fc3/1  
switch(conf-tm-sensor) # subscription 100  
switch(conf-tm-sub) #   
switch(conf-tm-sub) # dst-grp 100
```

Refer to the exhibit. An engineer needs to implement streaming telemetry on a Cisco MDS 9000 Series Switch. The requirement is for the show command data to be collected every 30 seconds and sent to receivers. Which command must be added to the configuration to meet this requirement?

- A. snsr-grp 200 sample-interval 30000
- B. snsr-grp 200 sample-interval 30
- C. sensor-grp 200 sample-period 30
- D. sensor-grp 200 sample-period 30000

Show Suggested Answer



Actual exam question from Cisco's 350-601

Question #: 62

Topic #: 1

[\[All 350-601 Questions\]](#)

An engineer must configure OSPF in the data center. The external routes have already been redistributed into OSPF. The network must meet these criteria:

- * The data center servers must reach services in the cloud and the services behind the redistributed routes.
- * The exit point toward the Internet should be propagated only when there is a dynamically learned default route from the upstream router.

Which feature is required?

- A. stubby area
- B. totally stubby area
- C. default-information originate
- D. default-information originate always

Show Suggested Answer



Actual exam question from Cisco's 350-601

Question #: 63

Topic #: 1

[\[All 350-601 Questions\]](#)

An engineer must configure a VXLAN routing on a Cisco Nexus 9000 Series Switch. The engineer requires a solution where all the leaf switches have the same gateway MAC and IP addresses. Which configuration set accomplishes this task?

- A. `NX9K(config)# fabric forwarding anycast-gateway-mac AA:BB:AA:BB:AA:BB NX9K(config)# interface VLAN-interface-name NX9K(config-if)# vrf member vrf-name NX9K(config-if)# fabric forwarding mode anycast-gateway`
- B. `NX9K(config)# install feature-set fabric NX9K(config)# feature-set fabric NX9K(config)# fabric forwarding anycast-gateway-mac AA:BB:AA:BB:AA:BB NX9K(config)# interface VLAN-interface-name NX9K(config-if)# fabric forwarding mode anycast-gateway`
- C. `NX9K(config)# install feature-set fabric NX9K(config)# feature-set fabric NX9K(config)# fabric forwarding anycast-gateway-mac AA:BB:AA:BB:AA:BB NX9K(config)# interface VLAN-interface-name NX9K(config-if)# vrf member vrf-name NX9K(config-if)# fabric forwarding mode anycast-gateway`
- D. `NX9K(config)# fabric forwarding anycast-gateway-mac AA:BB:AA:BB:AA:BB NX9K(config)# interface VLAN-interface-name NX9K(config-if)# fabric forwarding mode anycast-gateway`

Show Suggested Answer





Actual exam question from Cisco's 350-601

Question #: 64

Topic #: 1

[\[All 350-601 Questions\]](#)

An engineer implements an ACI fabric and must implement microsegmentation of endpoints within the same IP subnet using a network-based attribute. The attribute mapping must allow IP subnet independence. Which attribute must be selected?

- A. IP
- B. tag
- C. custom
- D. MAC address

[Show Suggested Answer](#)





Actual exam question from Cisco's 350-601

Question #: 65

Topic #: 1

[\[All 350-601 Questions\]](#)

What is a characteristic of the install all command on the Cisco Nexus Series Switch?

- A. automatically checks the image integrity
- B. continues the upgrade process if any step in the sequence fails
- C. upgrades only certain modules
- D. impacts data plane traffic

Show Suggested Answer



Actual exam question from Cisco's 350-601

Question #: 66

Topic #: 1

[\[All 350-601 Questions\]](#)

DRAG DROP -

An engineer must configure the HSRP protocol to implement redundancy using two Cisco Nexus Series Switches, in addition, the HSRP must meet these requirements:

- * switch1 must retain the primary role if switch2 goes offline.
- * switch1 must retain the primary role until normal conditions are restored.
- * switch1 and switch2 must ensure that the routing tables are converged before taking the active role.
- * switch2 must retain the primary role if the default gateway is not reachable.

Drag and drop the configuration commands from the right to the left to meet the requirements. The commands are used more than once. Not all commands are used.

Select and Place:

```
! switch1
track 100 ip route 0.0.0.0/0 reachability
```

```
interface ethernet 1/1
ip 209.165.200.226/27
```

```
hsrp 200
ip 209.165.200.225
priority 210
```

```
no shutdown
```

```
! switch2
track 100 ip route 0.0.0.0/0 reachability
```

```
interface ethernet 1/1
ip 209.165.200.227/27
```

```
hsrp 200
ip 209.165.200.225
```

```
no shutdown
```

```
preempt delay minimum 30
```

```
track 100 decrement 200
```

```
track 200 decrement 200
```

```
preempt sync 30
```

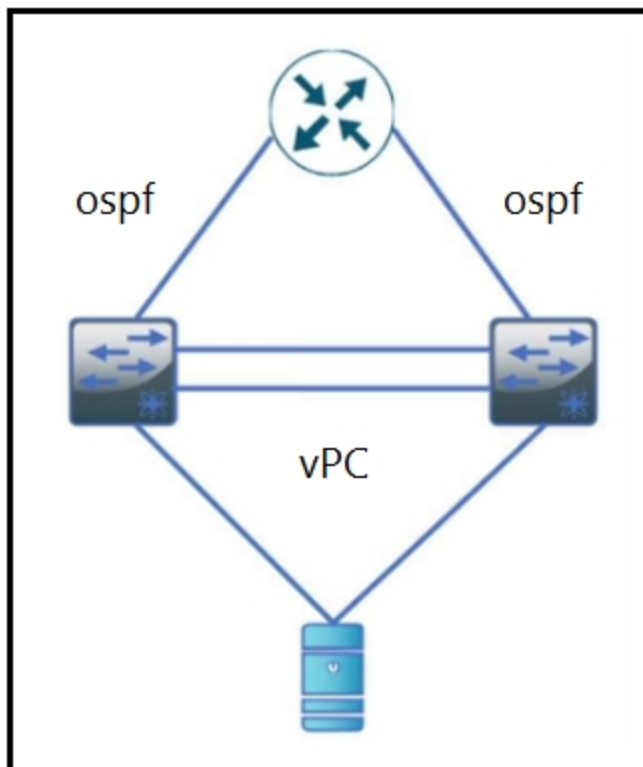
Show Suggested Answer

Actual exam question from Cisco's 350-601

Question #: 67

Topic #: 1

[\[All 350-601 Questions\]](#)



Refer to the exhibit. During a vPC peer switch reload, there is packet loss between the server and the router. Which action must be taken to prevent this behavior during future reloads?

- A. Set the routed uplink ports of the Cisco Nexus peers as orphans.
- B. Increase the vPC delay restore timer.
- C. Disable vPC ARP synchronize on the vPC peers.
- D. Decrease the OSPF hello and dead interval timers.

Show Suggested Answer

Actual exam question from Cisco's 350-601

Question #: 68

Topic #: 1

[\[All 350-601 Questions\]](#)

A Cisco ACI engineer must configure an access port on a Cisco ACI leaf switch. The access policy should be configured so that it supports L3Out connectivity concurrently with several EPGs that are mapped to this interface with the static port method. How should the access policy be configured?

- A. by linking the interface policy group to multiple Attachable Access Entity Profiles
- B. with two interface policy groups that are linked to the same interface profile port selector
- C. by mapping a single physical domain, mapped to the L3out and EPG interfaces
- D. with a single Attachable Access Entity Profile that is linked to the corresponding routed domain and physical domain

Show Suggested Answer

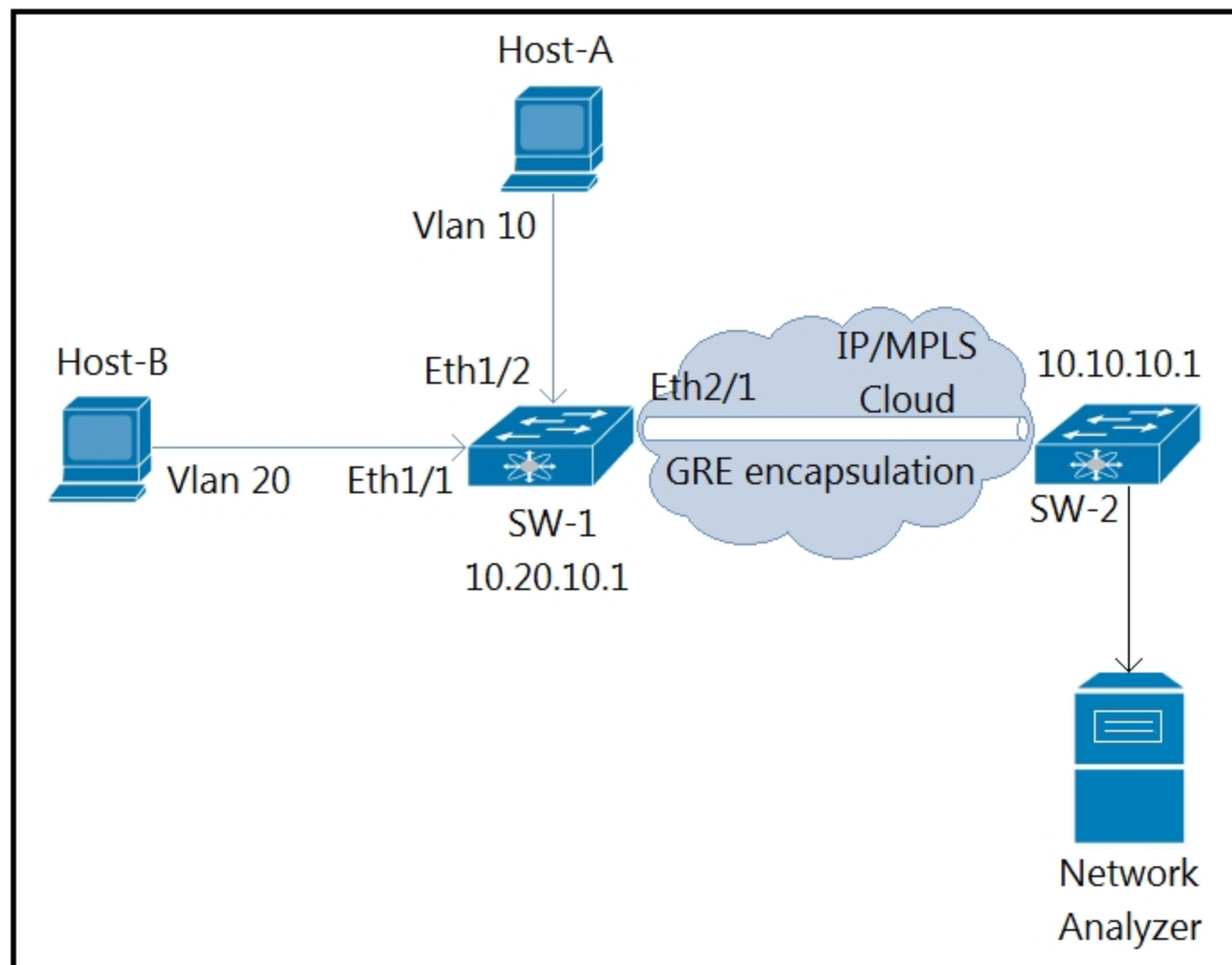


Actual exam question from Cisco's 350-601

Question #: 69

Topic #: 1

[\[All 350-601 Questions\]](#)



Refer to the exhibit. An engineer monitors ingress traffic from Host-A and all traffic for VLAN 20 from Host-B. Which configuration must be implemented to monitor and export traffic to Network Analyzer?

- A. SW-1(config)# monitor session 5 SW-1(config-monitor)# source interface ethernet 1/2 rx SW-1(config-monitor)# source interface ethernet 1/1 tx SW-1(config-monitor)# source vlan 20 both SW-1(config-monitor)# destination ip 10.10.10.1 SW-1(config-monitor)# no shut
- B. SW-1(config)# monitor session 5 type erspan-source SW-1(config-erspan-src)# source interface ethernet 1/2 rx SW-1(config-erspan-src)# source vlan 20 both SW-1(config-erspan-src)# destination ip 10.10.10.1 SW-1(config-erspan-src)# erspan-id 111 SW-1(config-erspan-src)# no shut
- C. SW-1(config)# monitor session 5 SW-1(config-monitor)# source interface ethernet 1/2 rx SW-1(config-monitor)# source interface ethernet 1/1 both SW-1(config-monitor)# source vlan 20 both SW-1(config-monitor)# destination interface ethernet 2/1 SW-1(config-monitor)# no shut
- D. SW-1(config)# monitor session 5 type erspan SW-1(config-erspan-src)# source interface ethernet 1/2 rx SW-1(config-erspan-src)# source interface ethernet 1/1 both SW-1(config-erspan-src)# destination ip 10.10.10.1 SW-1(config-erspan-src)# mtu 1000 SW-1(config-erspan-src)# no shut

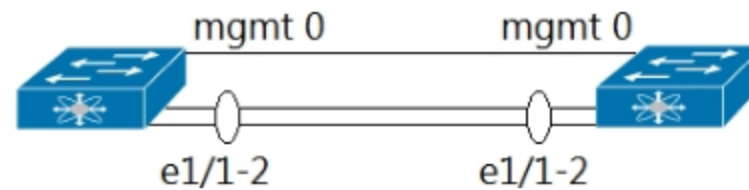
Show Suggested Answer

Actual exam question from Cisco's 350-601

Question #: 70

Topic #: 1

[\[All 350-601 Questions\]](#)



```
hostname N9K-1
vpc domain 100
  role priority 100
  peer-keepalive destination 10.10.10.2
interface port-channel100
  switchport mode trunk
  spanning-tree port type network
  vpc peer-link
interface Ethernet1/1
  switchport mode trunk
interface Ethernet1/2
  switchport mode trunk
interface mgmt0
  vrf member management
  ip address 10.10.10.1/24
```

```
hostname N9K-2
vpc domain 100
  role priority 90
  peer-keepalive destination 10.10.10.1
interface port-channel100
  switchport mode trunk
  spanning-tree port type network
  vpc peer-link
interface Ethernet1/1
  switchport mode trunk
interface Ethernet1/2
  switchport mode trunk
interface mgmt0
  vrf member management
  ip address 10.10.10.2/24
```

Refer to the exhibit. Which action completes the vPC domain implementation?

- A. Add the vPC member ports to the vPC channel group.
- B. Configure the system MAC on the vPC domain.
- C. Include the VRF management on the vPC domain.
- D. Allow VLANs on the vPC peer link member interfaces.

Show Suggested Answer

Actual exam question from Cisco's 350-601

Question #: 71

Topic #: 1

[\[All 350-601 Questions\]](#)

```
rollback running-config checkpoint system-fm-vpc output-omitted
```

Refer to the exhibit. A network engineer is implementing a configuration checkpoint on a Cisco Nexus 9000 Series Switch. The configuration must skip any existing vPC configuration errors and must complete if there are any configuration errors. The engineer finished the vPC domain configuration part. Which command completes the checkpoint implementation?

- A. best-effort
- B. stop-at-first-failure
- C. atomic
- D. verbose

Show Suggested Answer

Actual exam question from Cisco's 350-601

Question #: 72

Topic #: 1

[\[All 350-601 Questions\]](#)

An engineer must implement a VXLAN-based data center interconnect. The long-distance transport provided by a service provider is IP-based, supports a maximum MTU of 1554 bytes, and does not support outbound traffic replication. Which action must be taken to build the data center interconnect?

- A. Announce host reachability over BGP.
- B. Create an IP access list and associate it with VNI to replicate traffic to remote VTEPs.
- C. Configure a route map to associate the IPs of the remote VTEPs.
- D. Implement BGP EVPN ingress replication.

Show Suggested Answer



Actual exam question from Cisco's 350-601

Question #: 73

Topic #: 1

[\[All 350-601 Questions\]](#)

An engineer must perform an initial configuration of VXLAN Tunnel End-Point functionality on the Cisco Nexus 9000 Series platform. All the necessary features are already enabled on the switch. Which configuration set must be used to accomplish this goal?

- A. NX9K(config)# interface loopback0 NX9K(config-if)# ip address 10.10.10.11/32 NX9K(config)# interface VLAN10 NX9K(config-if)# ip unnumbered loopback0
NX9K(config)# interface nve1 NX9K(contig-if-nve)# source-interface loopback0
- B. NX9K(config)# interface loopback0 NX9K(config-if)# ip address 10.10.10.11/32 NX9K(config)# interface overlay0 NX9K(config-if-overlay)# source-interface
loopback0 NX9K(config)# interface VLAN10 NX9K(contig-if-nve)# source-interface loopback0
- C. NX9K(config)# interface loopback0 NX9K(config-if)# ip address 10.10.10.11/32 NX9K(config)# interface tunnel1 NX9K(config-if)# tunnel source loopback0
NX9K(config)# interface ethernet1/1 NX9K(contig-if)# ip unnumbered loopback0
- D. NX9K(config)# interface loopback0 NX9K(config-if)# ip address 10.10.10.11/32 NX9K(config)# interface nve1 NX9K(config-if-nve)# source-interface loopback0
NX9K(config)# interface ethernet1/1 NX9K(contig-if)# ip unnumbered loopback0

Show Suggested Answer





Actual exam question from Cisco's 350-601

Question #: 74

Topic #: 1

[\[All 350-601 Questions\]](#)

An engineer must perform a software upgrade on a production Cisco Nexus 7000 Series Switch. Before the upgrade activity, the requirement is for all ports to be shut down and routing protocols to terminate gracefully. Which feature must be used to meet these requirements?

- A. Switch Profile
- B. Service Profile Template
- C. Maintenance Mode Profile
- D. Configuration Profile

Show Suggested Answer



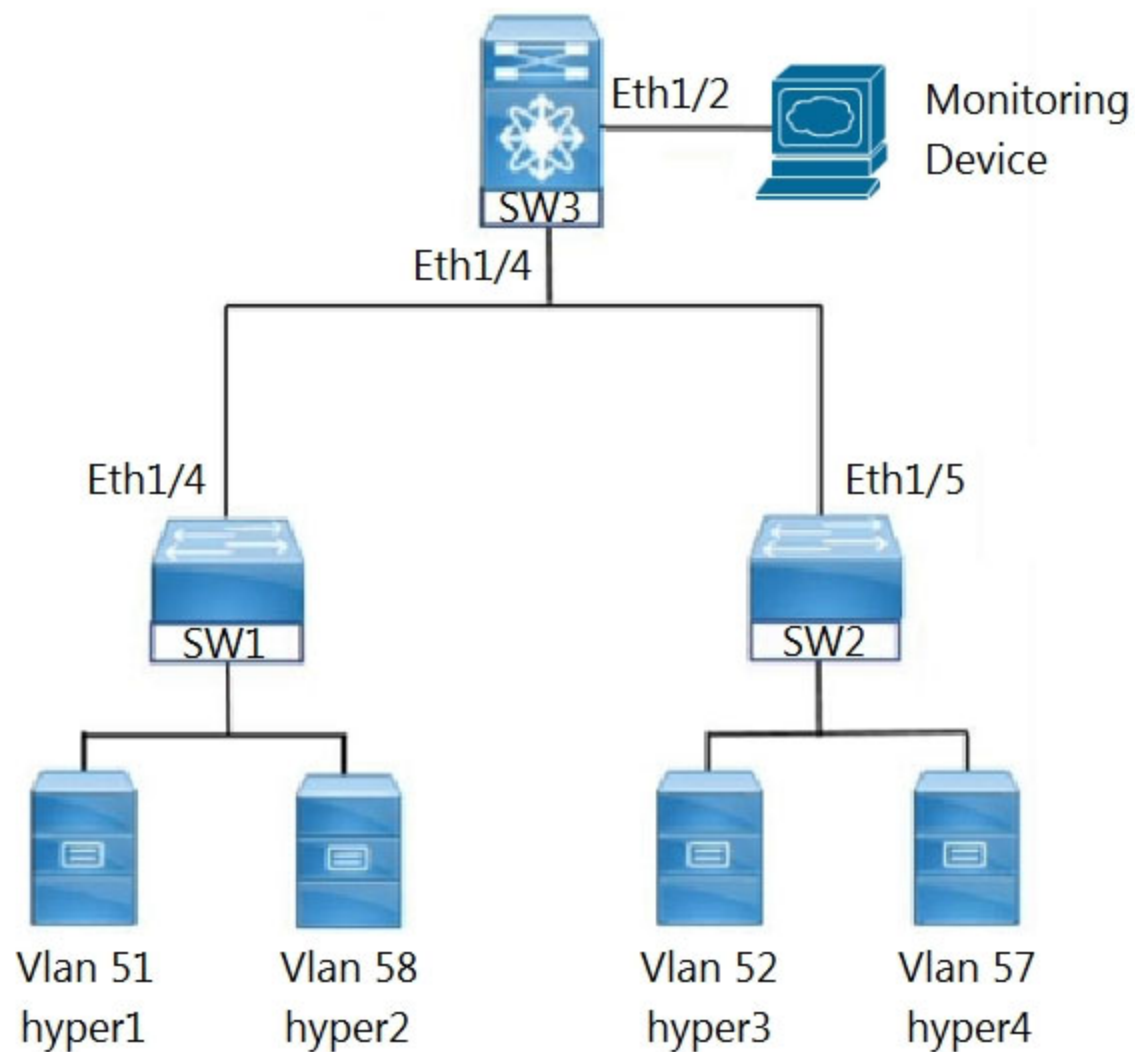
Actual exam question from Cisco's 350-601

Question #: 75

Topic #: 1

[\[All 350-601 Questions\]](#)

DRAG DROP -



Refer to the exhibit. An engineer must monitor the Ethernet port and the corresponding VLAN traffic for the hyper4 device. The SW3 device is a Cisco Nexus 7000 Series Switch. Drag and drop the code snippets from the right into the boxes in the configuration to meet these requirements.

Select and Place:

!SW3 configuration

interface ethernet 1/2

switchport

monitor session 2

source interface

destination interface

source

interface vlan 57

vlan 57

ethernet 1/2

ethernet 1/4

monitor

Show Suggested Answer

Actual exam question from Cisco's 350-601

Question #: 76

Topic #: 1

[\[All 350-601 Questions\]](#)

DRAG DROP -

Drag and drop the network assurance concepts from the left onto the corresponding benefits on the right.

Select and Place:

Cisco Tetration

allows close to real-time data monitoring

Data Management Engine

confirms that the network operates consistently with business requirements

Cisco Network Assurance Engine

offers overall protection and enables analysis of the network in real time to identify security incidents faster

Streaming Telemetry

allows the characteristics to be presented as object properties

Show Suggested Answer



Actual exam question from Cisco's 350-601

Question #: 77

Topic #: 1

[\[All 350-601 Questions\]](#)

DRAG DROP -

An engineer must configure HSRP protocol on two Cisco Nexus 9000 Series Switches running a virtual port channel. In addition, the HSRP implementation must meet these requirements:

- ⇒ It must allow more than 500 groups.
- ⇒ switch1 must act as the primary switch.
- ⇒ Both switches must use a user-defined hardware address.

Drag and drop the commands from the right to complete a configuration of the HSRP on the left. The commands are used more than once. Not all commands are used.

Select and Place:

Answer Area

```
! switch1  
  
interface vlan300  
ip 209.165.200.226/27  
hsrp 300
```

```
ip 209.165.200.225
```

```
! switch2
```

```
interface vlan300  
ip 209.165.200.227/27  
hsrp 300
```

```
ip 209.165.200.225
```

```
mac-address 6000.6000.6000
```

```
hsrp version 1
```

```
priority 255
```

```
hsrp use-bia
```

```
priority 100
```

```
hsrp version 2
```

Show Suggested Answer

Actual exam question from Cisco's 350-601

Question #: 78

Topic #: 1

[\[All 350-601 Questions\]](#)

An engineer must configure OSPFv2 connectivity between a pair of Cisco Nexus switches. The connection between the switches must meet these requirements:

- ⇒ Use unicast for updates.
- ⇒ Use decentralized communication of updates.
- ⇒ Full adjacency between switches.

Which configuration is needed to meet these requirements?

- A. filter list between the neighbors
- B. stub area between the neighbors
- C. virtual link between the neighbors
- D. interface with a type of p2p network

Show Suggested Answer





Actual exam question from Cisco's 350-601

Question #: 79

Topic #: 1

[\[All 350-601 Questions\]](#)

An infrastructure architect is analyzing the deployment type for an application. Several companies must be able to operate the application environment and integrate it with a third-party protocol. The development team also must have maximum control over their development environment, including the operating system used, Python interpreter, and corresponding libraries. Which cloud deployment solution meets these requirements?

- A. private cloud Platform as a Service
- B. public cloud Storage as a Service
- C. hybrid cloud Software as a Service
- D. community cloud Infrastructure as a Service

Show Suggested Answer



Actual exam question from Cisco's 350-601

Question #: 80

Topic #: 1

[\[All 350-601 Questions\]](#)

An engineer is performing an ISSU upgrade on the Cisco MDS 9000 Series Switch. What is the impact on the control plane of the switch?

- A. It is down for less than 80 seconds.
- B. It remains down for more than 80 seconds but less than 140 seconds.
- C. It remains down until the next reboot.
- D. It remains up throughout the update.

Show Suggested Answer



Actual exam question from Cisco's 350-601

Question #: 81

Topic #: 1

[\[All 350-601 Questions\]](#)

An engineer must implement a disaster recovery policy for the Cisco UCS infrastructure. The solution must meet these criteria:

⇒ The Recovery Point Objective must be 48 hours.

⇒ The backup must use encrypted transmission.

The Recovery Time Objective must be 4 hours.

▪

Which configuration set must be used in the scheduled backup to meet these requirements?

A. Protocol: FTP Schedule: Bi-Weekly

B. Protocol: SFTP Schedule: Weekly

C. Protocol: TFTP Schedule: Bi-Weekly

D. Protocol: SCP Schedule: Daily

Show Suggested Answer

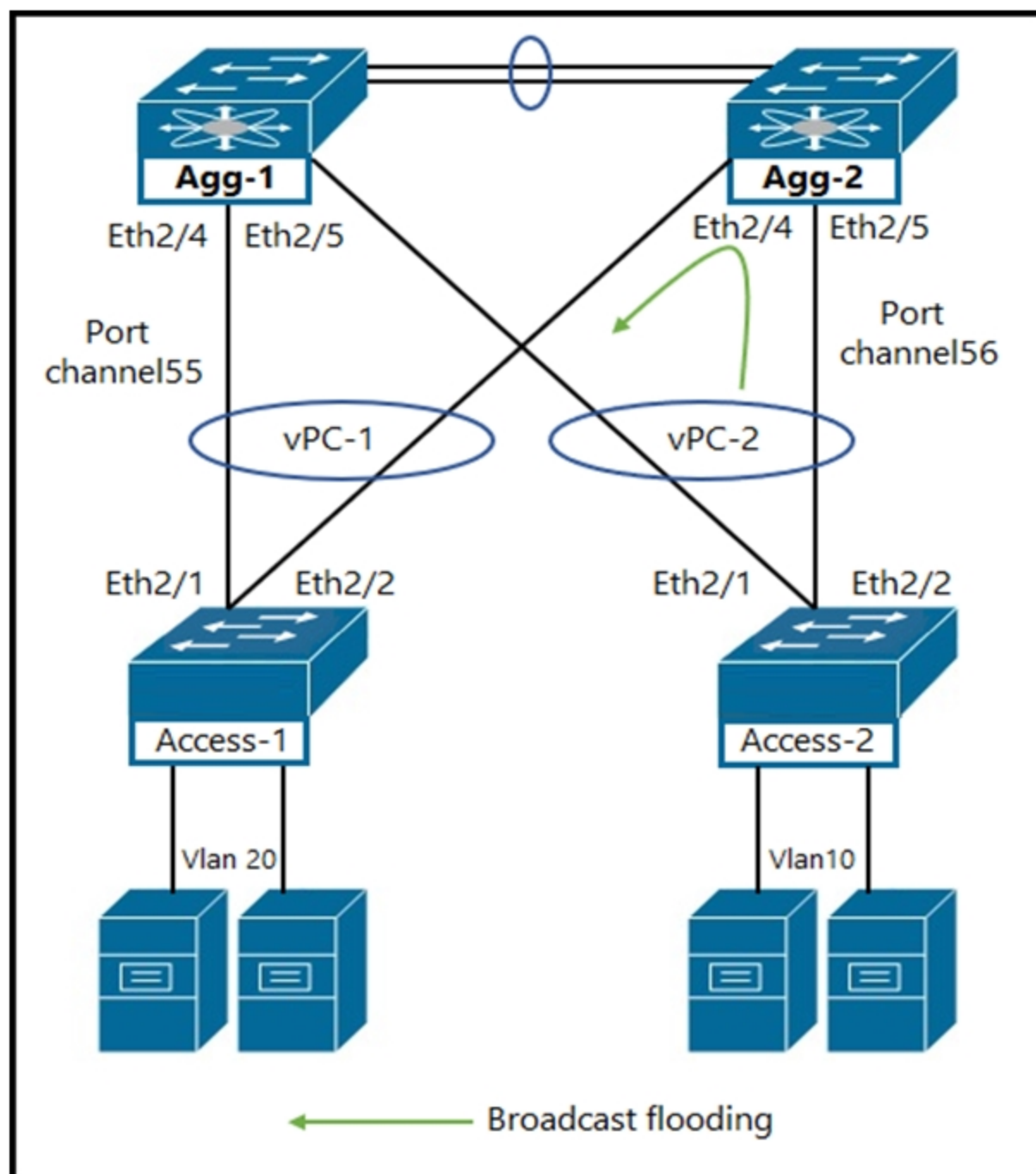


Actual exam question from Cisco's 350-601

Question #: 82

Topic #: 1

[\[All 350-601 Questions\]](#)



Refer to the exhibit. What happens to the broadcast traffic when it reaches aggregation switches?

- A. Agg-2 switch receives broadcast packets and stops forwarding to the peer link on Agg-1 switch.
- B. Agg-1 switch prevents broadcast packets received on the vPC peer link from exiting the switch on ports Eth2/4 and Eth2/5.
- C. Agg-1 and Agg-2 switches receive broadcast packets and does not forward them to the peer link or the port channel.
- D. Only Agg-1 switch receives broadcast packets and does not forward to the peer link on Agg-2 switch.

Show Suggested Answer



Actual exam question from Cisco's 350-601

Question #: 83

Topic #: 1

[\[All 350-601 Questions\]](#)

Which feature is supported with an In-Service Software Upgrade on a Cisco Nexus 9000 Series Switch?

- A. nondisruptive upgrades via nonstop forwarding
- B. configuration changes during an upgrade
- C. upgrades to individual modules and line cards
- D. zero downtime downgrades via dual supervisor modules

Show Suggested Answer



Actual exam question from Cisco's 350-601

Question #: 84

Topic #: 1

[\[All 350-601 Questions\]](#)

An engineer must configure a monitoring solution for a Cisco Nexus 9000 Series Switch based data center. The solution must provide real-time insight into the network health with subscription-based monitoring. The monitoring must be initiated from the client side, and the data must be sent via encryption. Which configuration steps complete the configuration?

- A. Configure Grafana on the Nexus switch. Specify the logging certificate. Enable syslog level 7 export to Grafana.
- B. Set the telemetry feature on the Nexus switch. Specify a certificate for telemetry transport. Configure a sensor group and destination.
- C. Activate SNMPv3 on the Nexus switch. Set the globalEnforcePriv parameter. Configure an SNMP agent to poll information.
- D. Enable GRPC on the Nexus switch. Generate a certificate. Configure gNMI inputs in Telegraf and output to InfluxDB.

Show Suggested Answer



Actual exam question from Cisco's 350-601

Question #: 85

Topic #: 1

[\[All 350-601 Questions\]](#)

```
show incompatibility-all system bootflash:n7000-s1-dk9.4.2.4.bin
```

Refer to the exhibit. Software downgrade is required on a Cisco Nexus 7000 Series Switch. What is displayed when this command is executed?

- A. features that are enabled automatically after the downgrade
- B. impact of a software upgrade in ISSU and chassis reload
- C. features and commands that are removed automatically from the configuration
- D. compatibility of software in the system bootflash file

Show Suggested Answer



Actual exam question from Cisco's 350-601

Question #: 86

Topic #: 1

[\[All 350-601 Questions\]](#)

The VMM domain is integrated between Cisco APICs and vCenter using a distributed vSwitch. The traffic must be blocked between a subset of endpoints in an EPG based on specific VM attributes and the rest of the VMs in that EPG. Which set of actions blocks this traffic?

- A. 1. Set Allow Microsegmentation under the EPG VMM Domain Association to True . 2. Set Intra-EPG Isolation to Unenforced for the EPG 3. Set Intra-EPG Isolation to Unenforced for the uSeg EPG
- B. 1. Set Allow Microsegmentation under the EPG VMM Domain Association to False . 2. Set Intra-EPG Isolation to Unenforced for the EPG 3. Set Intra-EPG Isolation to Enforced for the uSeg EPG
- C. 1. Set Allow Microsegmentation under the EPG VMM Domain Association to True . 2. Set Intra-EPG Isolation to Enforced for the EPG 3. Set Intra-EPG Isolation to Enforced for the uSeg EPG
- D. 1. Set Allow Microsegmentation under the EPG VMM Domain Association to True . 2. Set Intra-EPG Isolation to Enforced for the EPG 3. Set Intra-EPG Isolation to Unenforced for the uSeg EPG

Show Suggested Answer



Actual exam question from Cisco's 350-601

Question #: 87

Topic #: 1

[\[All 350-601 Questions\]](#)

DRAG DROP -

Drag and drop the firmware packages from the left onto the software bundles they belong to on the right.

Select and Place:

Answer Area

- Board controller firmware
- BIOS firmware
- Kernel and system firmware for Fabric Interconnects
- CIMC firmware
- I/O module firmware
- Cisco UCS Manager software

- Cisco UCS Infrastructure Software Bundle
 -
 -
 -
- Cisco UCS B-Series Blade Server Software Bundle
 -
 -
 -

Show Suggested Answer





Actual exam question from Cisco's 350-601

Question #: 88

Topic #: 1

[\[All 350-601 Questions\]](#)

Which action must be performed before renumbering a Cisco UCS chassis?

- A. Run the shut and no shut command on the connected ports.
- B. Move the chassis to new ports on fabric interconnect.
- C. Decommission the chassis.
- D. Re-acknowledge the chassis.

Show Suggested Answer





Actual exam question from Cisco's 350-601

Question #: 89

Topic #: 1

[\[All 350-601 Questions\]](#)

A server engineer wants to control power usage on a Cisco UCS C-Series rack server down to the component level.

Which two components support specific power limits? (Choose two.)

- A. storage controller
- B. network controller
- C. processor
- D. graphic card
- E. memory

Show Suggested Answer





Actual exam question from Cisco's 350-601

Question #: 90

Topic #: 1

[\[All 350-601 Questions\]](#)

An engineer is implementing an import operation in Cisco UCS Manager.

What is the impact of performing this operation?

- A. Information is modified on the management plane only.
- B. A configuration is imported from a higher release to a lower release.
- C. It is possible to schedule an import operation.
- D. Only a configuration file that was exported from the same Cisco UCS Manager is allowed to be imported.

Show Suggested Answer





Actual exam question from Cisco's 350-601

Question #: 91

Topic #: 1

[\[All 350-601 Questions\]](#)

An engineer wants to create a backup of Cisco UCS Manager for disaster recovery purposes.

What are two characteristics of a full state backup of a Cisco UCS Manager database? (Choose two.)

- A. contains all of the runtime states and statuses but not the configurations
- B. performs a complete binary dump of the database as a .bin file
- C. performs a complete binary dump of the database as a .sql file
- D. performs a complete binary dump of the database as a .txz file
- E. contains all of the configurations

Show Suggested Answer





Actual exam question from Cisco's 350-601

Question #: 92

Topic #: 1

[\[All 350-601 Questions\]](#)

What happens to the default host firmware policy after a Cisco UCS Manager upgrade?

- A. It is assigned to all the service profiles that include a host firmware policy.
- B. It is replaced by a new default policy without any firmware entries.
- C. It is set to match the host firmware policy.
- D. It is updated to contain the firmware entries of all the components.

Show Suggested Answer





Actual exam question from Cisco's 350-601

Question #: 93

Topic #: 1

[\[All 350-601 Questions\]](#)

An engineer is asked to use SaaS to manage Cisco computing.
Which two items are needed to accomplish the task? (Choose two.)

- A. Intersight
- B. UCS Central
- C. Device/Claim ID
- D. Node name/Serial Number
- E. UCS Manager

Show Suggested Answer





Actual exam question from Cisco's 350-601

Question #: 94

Topic #: 1

[\[All 350-601 Questions\]](#)

An engineer is configuring a backup operation on the existing Cisco UCS environment using a logical configuration.
Which configuration is expected to be saved by using this backup type?

- A. systems
- B. roles
- C. servers
- D. service profiles

Show Suggested Answer





Actual exam question from Cisco's 350-601

Question #: 95

Topic #: 1

[\[All 350-601 Questions\]](#)

An engineer is seeking the most optimal on demand CPU performance while configuring the BIOS settings of a UCS C-series rack mount server. What setting will accomplish this goal?

- A. C6 Retention
- B. C6 non-Retention
- C. C2 state
- D. C0/C1 state

Show Suggested Answer





Actual exam question from Cisco's 350-601

Question #: 96

Topic #: 1

[\[All 350-601 Questions\]](#)

An engineer is duplicating an existing Cisco UCS setup at a new site.

What are two characteristics of a logical configuration backup of a Cisco UCS Manager database? (Choose two.)

- A. contains the configured organizations and locales
- B. contains the VLAN and VSAN configurations
- C. contains the AAA and RBAC configurations
- D. contains all of the configurations
- E. contains a file with an extension.tgz that stores all of the configurations

Show Suggested Answer



Actual exam question from Cisco's 350-601

Question #: 97

Topic #: 1

[\[All 350-601 Questions\]](#)

Refer to the exhibit.

1 Prerequisites

2 Install Infrastructure Firmware

Install Infrastructure Firmware

Firmware System Status

Firmware Installer : **Ready**

Actions

Cancel Infrastructure Upgrade

Properties

Name : **default**

Description : Infrastructure Pack

Infra Pack : 3.2(2d)A

Service Pack : <not set>

Force :

Evacuate :

Infrastructure Upgrade Schedule

Admin State : **Untriggered**

Owner : **Local**

Max Number Of Concurrent Tasks : **Unlimited**

Start Time : 2018-03-11 00:44:5

Upgrade Now

< Prev Next > **Finish** Cancel

Which two Cisco UCS components are upgraded as a result of the configuration? (Choose two.)

- A. IOMs
- B. Cisco UCS Manager
- C. board controller
- D. adapters
- E. BIOS

Show Suggested Answer



Actual exam question from Cisco's 350-601

Question #: 98

Topic #: 1

[\[All 350-601 Questions\]](#)

Which two settings must be configured before enabling a Cisco UCS Manager domain for Cisco Intersight connectivity? (Choose two.)

- A. SMTP servers
- B. SMTP reply-to address
- C. NTP servers
- D. syslog redirection
- E. DNS servers

Show Suggested Answer





Actual exam question from Cisco's 350-601

Question #: 99

Topic #: 1

[\[All 350-601 Questions\]](#)

An engineer must configure Cisco IMC server management NIC for autonegotiation.

Which setting should be selected?

- A. shared LOM
- B. Cisco card
- C. dedicated
- D. shared LOM EXT

[Show Suggested Answer](#)



Actual exam question from Cisco's 350-601

Question #: 100

Topic #: 1

[\[All 350-601 Questions\]](#)

A network engineer is adding a Cisco HyperFlex data platform to the Cisco Intersight management portal.

Which two components are required for Intersight to claim the Cisco HyperFlex data platform? (Choose two.)

- A. device FQDN
- B. device claim code
- C. device public IP address
- D. device ID
- E. device serial number

Show Suggested Answer





Actual exam question from Cisco's 350-601

Question #: 101

Topic #: 1

[\[All 350-601 Questions\]](#)

Where is the witness deployed in a two-node Cisco HyperFlex Edge deployment?

- A. to the HyperFlex Edge two-node cluster
- B. to Cisco Intersight
- C. to a third-party cloud provider
- D. to an additional server with network access to HyperFlex Edge

Show Suggested Answer



Actual exam question from Cisco's 350-601

Question #: 102

Topic #: 1

[\[All 350-601 Questions\]](#)

Refer to the exhibit.

```
UCS-A# scope adapter 1/1/1
UCS-A# /chassis/server/adapter # show image
Name                               Type      Version    State
-----
ucs-m81kr-vic.2.2.1b.bin           Adapter   2.2(1b)    Active

UCS-A# /chassis/server/adapter # update firmware 2.2(1b)
UCS-A# /chassis/server/adapter* # activate firmware 2.2(1b)
set-startup-only
UCS-A# /chassis/server/adapter* # commit-buffer
UCS-A# /chassis/server/adapter #
```

What is the result of this series of commands?

- A. It reboots the server immediately.
- B. It activates the firmware on the next adapter boot.
- C. It updates the firmware on adapter 1/1/1 immediately.
- D. It verifies the firmware update on the server.

Show Suggested Answer



Actual exam question from Cisco's 350-601

Question #: 103

Topic #: 1

[\[All 350-601 Questions\]](#)

What is the benefit of adding Cisco HyperFlex Hardware Acceleration Cards to a HyperFlex deployment?

- A. increased compression efficiency
- B. increased network throughput
- C. GPU acceleration
- D. offline encryption acceleration

Show Suggested Answer





Actual exam question from Cisco's 350-601

Question #: 104

Topic #: 1

[\[All 350-601 Questions\]](#)

When the default firmware package is set to a new version, which type of policy determines the timing of server reboots during the firmware upgrade?

- A. diagnostics
- B. maintenance
- C. local disk
- D. BIOS

Show Suggested Answer





Actual exam question from Cisco's 350-601

Question #: 105

Topic #: 1

[\[All 350-601 Questions\]](#)

Which two hypervisors does Cisco HyperFlex support? (Choose two.)

- A. OpenStack
- B. Citrix XenServer
- C. VMware vSphere
- D. RedHat KVM
- E. Microsoft Hyper-V

Show Suggested Answer



Actual exam question from Cisco's 350-601

Question #: 106

Topic #: 1

[\[All 350-601 Questions\]](#)

DRAG DROP -

An engineer deploys a custom guest shell rootfs onto multiple switches.
Drag and drop the steps from the left into the correct order on the right.

Select and Place:

Customize the guest shell rootfs.

Export the Guest Shell rootfs.

Store it in a file server.

Import the Guest Shell rootfs
to other switches.

Install the specific Guest Shell across
devices simultaneously.

Step 1

Step 2

Step 3

Step 4

Step 5

Show Suggested Answer





Actual exam question from Cisco's 350-601

Question #: 107

Topic #: 1

[\[All 350-601 Questions\]](#)

An engineer changed a configuration and must perform a rollback.

Which statement applies to a Cisco Nexus 5600 Series Switch?

- A. The configuration rollback functionality is disabled when FCoE is enabled.
- B. A system checkpoint is generated automatically when the running configuration is saved to NVRAM.
- C. A user who is assigned to the network-operator user role is allowed to perform a rollback.
- D. Errors are skipped when an atomic rollback type is triggered.

Show Suggested Answer



Actual exam question from Cisco's 350-601

Question #: 108

Topic #: 1

[\[All 350-601 Questions\]](#)

Which statement describes the rolling EPLD upgrade on a Cisco MDS 9000 Series Switch?

- A. The standby supervisor module is capable of performing the upgrade.
- B. Only the modules that are being upgraded are disrupted.
- C. All modules on the switch are disrupted.
- D. An EPLD upgrade is nondisruptive.

Show Suggested Answer





Actual exam question from Cisco's 350-601

Question #: 109

Topic #: 1

[\[All 350-601 Questions\]](#)

Which command reduces the amount of time it takes to complete the ISSU on a Cisco Nexus 7000 Series Switch that has dual supervisor modules and two I/O modules?

- A. insinstall all epld bootflash: <image> parallel
- B. install all kickstart <image> system <image> parallel
- C. install all kickstart <image> system <image>
- D. install all epld bootflash: <image>

Show Suggested Answer



Actual exam question from Cisco's 350-601

Question #: 110

Topic #: 1

[\[All 350-601 Questions\]](#)

Which two statements describe the process of performing an EPLD upgrade on a Cisco MDS 9000 Series Switch? (Choose two.)

- A. The upgrade is performed from the standby supervisor module.
- B. The upgrade process disrupts only the module that is being upgraded.
- C. The upgrade is performed on the active supervisor.
- D. If an upgrade is interrupted, the upgrade continues after a connection is restored.
- E. Modules must be online to be upgraded.

Show Suggested Answer





Actual exam question from Cisco's 350-601

Question #: 111

Topic #: 1

[\[All 350-601 Questions\]](#)

Which two statements describe the process of upgrading an EPLD on a Cisco MDS 9000 Series Switch? (Choose two.)

- A. EPLDs are only capable to be upgraded to the latest EPLD image.
- B. EPLD upgrades are capable to be completed without powering down the module during the upgrade.
- C. An upgrade verification identifies the impact of each EPLD upgrade.
- D. The EPLDs for all the modules on a switch must be upgraded at the same time.
- E. EPLDs are capable to be upgraded without replacing the hardware.

Show Suggested Answer



Actual exam question from Cisco's 350-601

Question #: 112

Topic #: 1

[\[All 350-601 Questions\]](#)

Refer to the exhibit.

```
show install all impact epld bootflash:n9000-epld.6.1.2.I3.1.img
```

What is the outcome of this command when the EPLD is updated on a Cisco Nexus 9000 Series Switch?

- A. displays the compatibility of the EPLD upgrade and the image in the bootflash
- B. shows a simulated upgrade of the EPLD
- C. upgrades the EPLD on the switch disruptively
- D. displays the impact of the upgrade on the operation of the switch

Show Suggested Answer

Actual exam question from Cisco's 350-601

Question #: 113

Topic #: 1

[\[All 350-601 Questions\]](#)

DRAG DROP -

An engineer is configuring VNTag between a virtualized server and a Cisco Nexus 5500 Series switch.

Drag and drop the configuration steps from the left into the correct order on the right.

Select and Place:

Configure support for VNTag mode on the interface that connects to the server.	Step 1
Configure the vNICs of the server.	Step 2
Configure the server to support NIV mode.	Step 3
Enable the virtualization feature set.	Step 4
Configure the port profile.	Step 5
Install the virtualization feature set.	Step 6

Show Suggested Answer





Actual exam question from Cisco's 350-601

Question #: 114

Topic #: 1

[\[All 350-601 Questions\]](#)

Multiple roles are applied to a user on the Cisco MDS 9000 Series Switch.

Which statement describes the result of this configuration?

- A. The last role assigned takes precedence over previous roles.
- B. Access to a command takes priority over being denied access to a command.
- C. Any commands that have conflicting settings between roles are denied.
- D. The first role assigned takes precedence over subsequent roles.

[Show Suggested Answer](#)



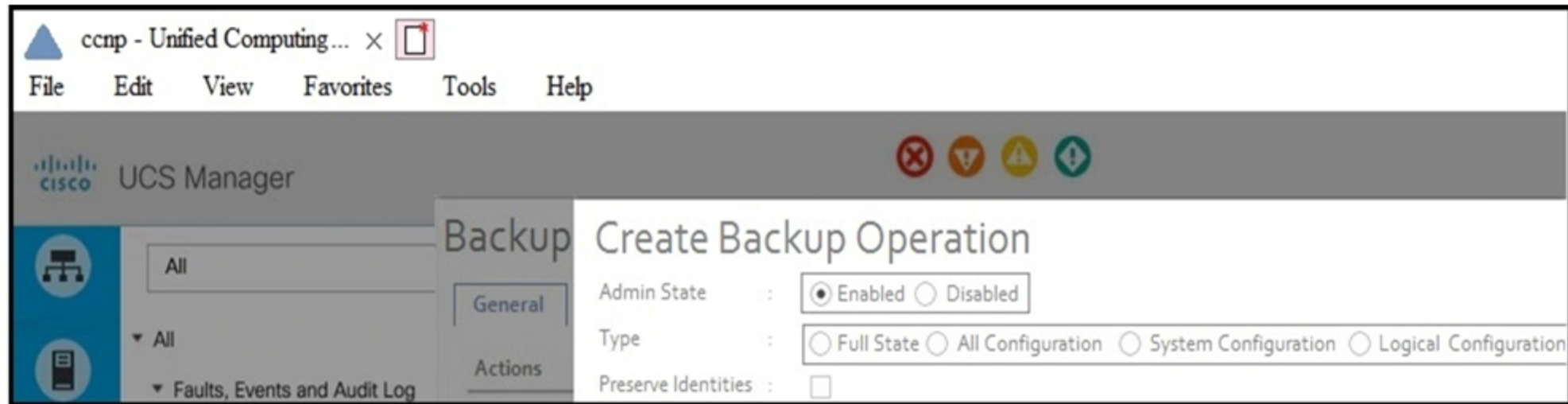
Actual exam question from Cisco's 350-601

Question #: 115

Topic #: 1

[\[All 350-601 Questions\]](#)

Refer to the exhibit.



Which backup operation type does not include the Preserve Identities feature?

- A. full state
- B. all configuration
- C. logical configuration
- D. system configuration

Show Suggested Answer

Actual exam question from Cisco's 350-601

Question #: 116

Topic #: 1

[\[All 350-601 Questions\]](#)

Refer to the exhibit.

```
CISCO-UCS-A# scope org /
CISCO-UCS-A /org* # create service-profile Cisc01 instance
CISCO-UCS-A /org/service-profile* # set bios-policy bios1
CISCO-UCS-A /org/service-profile* # set boot-policy boot1
CISCO-UCS-A /org/service-profile* # set ext-mgmt-ip-state none
CISCO-UCS-A /org/service-profile* # set host-fw-policy ipmi-user987
CISCO-UCS-A /org/service-profile* # set identity dynamic-uuid derived
CISCO-UCS-A /org/service-profile* # set ipmi-access-profile ipmi1
CISCO-UCS-A /org/service-profile* # set local-disk-policy local1
CISCO-UCS-A /org/service-profile* # set maint-policy maint1
CISCO-UCS-A /org/service-profile* # set mgmt-fw-policy mgmt1
CISCO-UCS-A /org/service-profile* # set power-control-policy power1
CISCO-UCS-A /org/service-profile* # set scrub-policy scrub1
CISCO-UCS-A /org/service-profile* # set sol-policy sol1
CISCO-UCS-A /org/service-profile* # set stats-policy stats1
CISCO-UCS-A /org/service-profile* # set user-label Cisco
CISCO-UCS-A /org/service-profile* # vcon-policy vconnpolicy
CISCO-UCS-A /org/service-profile* # commit-buffer
CISCO-UCS-A /org/service-profile #
```

What is a characteristic presented in the service profile of the UUID?

- A. unique system generated
- B. allocated from a UUID pool
- C. vendor assigned
- D. based on the hardware

Show Suggested Answer

Actual exam question from Cisco's 350-601

Question #: 117

Topic #: 1

[\[All 350-601 Questions\]](#)

Refer to the exhibit.

```
FI-1# scope org /  
FI-1 /org # create maint-policy maintenance  
FI-1 /org/maint-policy* # set reboot-policy timer-automatic  
FI-1 /org/maint-policy* # set soft-shutdown-timer never
```

Which action must be taken before the maintenance policy can be committed?

- A. Specify a maintenance time by selecting a schedule.
- B. Associate a service profile to the maintenance policy.
- C. Set the soft shutdown timer to a specific time.
- D. Set the policy to apply the changes on the next reboot.

Show Suggested Answer



Actual exam question from Cisco's 350-601

Question #: 118

Topic #: 1

[\[All 350-601 Questions\]](#)

Which two firmware packages are included in the Cisco UCS C-Series Rack-Mount UCS-Managed Server Software bundle? (Choose two.)

- A. CIMC
- B. BIOS
- C. PSU
- D. system
- E. third-party

Show Suggested Answer





Actual exam question from Cisco's 350-601

Question #: 119

Topic #: 1

[\[All 350-601 Questions\]](#)

A UCS B-Series server located in B5108 chassis 1 slot 1 is currently unavailable. The server needs to be associated with a specific service profile when it becomes available. Which associate service profile option should be selected to accomplish this goal?

- A. restrict migration
- B. server pool
- C. server
- D. custom server

[Show Suggested Answer](#)





Actual exam question from Cisco's 350-601

Question #: 120

Topic #: 1

[\[All 350-601 Questions\]](#)

A Cisco UCS C-Series server is installed at a data center. The server should be managed by the Cisco UCS Manager by using a single cable for management and data traffic. Which configuration should be applied after the physical connection is established?

- A. UCS-A# scope server 1 UCS-A /server# scope cimc UCS-A /server/cimc # scope mgmt-conn sideband UCS-A /server/cimc # mgmt-conn-state enabled UCS-A /server/cimc/mgmt-conn* # commit-buffer
- B. UCS-A# scope chassis 1 UCS-A /chassis# scope cimc UCS-A /chassis/cimc # scope mgmt-conn sideband UCS-A /chassis/cimc/mgmt-conn # mgmt-conn-state enabled UCS-A /chassis/cimc/mgmt-conn* # commit-buffer
- C. UCS-A# scope chassis 1 UCS-A /chassis# scope cimc UCS-A /chassis /cimc # set mgmt-conn-state enabled UCS-A /chassis /cimc/mgmt-conn* # commit-buffer
- D. UCS-A# scope server 1 UCS-A /server# scope cimc UCS-A /server/cimc # scope mgmt-conn sideband UCS-A /server/cimc/mgmt-conn #set mgmt-conn-state enabled UCS-A /server/cimc/mgmt-conn* # commit-buffer

Show Suggested Answer



Actual exam question from Cisco's 350-601

Question #: 121

Topic #: 1

[\[All 350-601 Questions\]](#)

```
Enter the configuration method. (console/gui) ? console
```

```
Enter the setup mode; setup newly or restore from backup.  
(setup/restore) ? restore
```

NOTE:

To configure Fabric interconnect using a backup file on a remote server, you will need to setup management interface. The management interface will be re-configured (if necessary), based on information stored in the backup file.

```
Continue to restore this Fabric interconnect from a backup file  
(yes/no) ? yes
```

```
Physical Switch Mgmt0 IPv4 address : 192.168.10.10
```

```
Physical Switch Mgmt0 IPv4 netmask : 255.255.255.0
```

```
IPv4 address of the default gateway : 192.168.10.1
```

```
Enter the protocol to get backup file (scp/ftp/tftp/sftp) ? scp
```

```
Enter the IP address of backup server: 20.10.20.10
```

```
Enter fully qualified backup file name: Backup.bak
```

```
Enter user ID: user
```

```
Enter password:
```

```
Retrieved backup configuration file.
```

```
Configuration file - Ok
```

Refer to the exhibit. Which type of backup is required to restore a Cisco UCS configuration?

- A. system configuration
- B. all configuration
- C. full state
- D. logical configuration

Show Suggested Answer



Actual exam question from Cisco's 350-601

Question #: 122

Topic #: 1

[\[All 350-601 Questions\]](#)

Which server policy is used to install new Cisco IMC software on a server?

- A. hypervisor firmware policy
- B. host firmware policy
- C. BIOS software policy
- D. Cisco IMC software policy

Show Suggested Answer





Actual exam question from Cisco's 350-601

Question #: 123

Topic #: 1

[\[All 350-601 Questions\]](#)

What are two requirements when planning a Cisco HyperFlex All Flash standard cluster installation using three Cisco HX240c M5 Series servers? (Choose two.)

- A. If the Jumbo MTU option in the HyperFlex installer is enabled, then jumbo frames do not have to be enabled on the upstream switches.
- B. This cluster deployment type must support a mix of HDD and SSD.
- C. The servers must be discovered, unassociated, and connected to each fabric interconnect.
- D. If the Jumbo MTU option in the HyperFlex installer is enabled, then jumbo frames must also be enabled on the upstream switches.
- E. The hypervisors must be installed to Cisco FlexFlash SD cards.

Show Suggested Answer



Actual exam question from Cisco's 350-601

Question #: 124

Topic #: 1

[\[All 350-601 Questions\]](#)

```
UCS-A# scope eth-traffic-mon
UCS-A /eth-traffic-mon # scope fabric a
UCS-A /eth-traffic-mon/fabric # create eth-mon-session Monitor33
UCS-A /eth-traffic-mon/fabric/eth-mon-session/dest-interface* #
commit-buffer
UCS-A /eth-traffic-mon/fabric/eth-mon-session/dest-interface #

UCS-A# scope service-profile org / serviceprofile1
UCS-A /org/service-profile # scope vnic ether-dynamic-prot-008
UCS-A /org/service-profile/vnic # create mon-src Monitor23
UCS-A /org/service-profile/vnic/mon-src* # commit-buffer
UCS-A /org/service-profile/vnic/mon-sre #
```

```
UCS-A# scope eth-traffic-mon
UCS-A /eth-traffic-mon # scope fabric a
UCS-A /eth-traffic-mon/fabric # scope eth-mon-session Monitor33
UCS-A /eth-traffic-mon/fabric/eth-mon-session # enable
UCS-A /eth-traffic-mon/fabric/eth-mon-session* # commit-buffer
```

Refer to the exhibit. Service degradation is reported on a VM that is deployed on a Cisco UCS B-Series Server. The traffic from the vNIC is required to SPAN in both directions to a packet analyzer that is connected to UCS-A slot 2 port 12. Which two commands are needed to complete the configuration? (Choose two.)

- A. UCS-A /org/service-profile/vnic/mon-src* # set direction receive transmit
- B. UCS-A /eth-traffic-mon/fabric/eth-mon-session* # create dest-interface 2 12
- C. UCS-A /eth-traffic-mon/fabric/eth-mon-session # activate
- D. UCS-A /eth-traffic-mon/fabric/eth-mon-session* # create eth-mon-session/dest-interface 2 12
- E. UCS-A /org/service-profile/vnic/mon-src* # set direction both

Show Suggested Answer



Actual exam question from Cisco's 350-601

Question #: 125

Topic #: 1

[\[All 350-601 Questions\]](#)

An engineer updated firmware on Fabric Interconnects and activates it. However, the endpoint fails to boot from the new firmware image. What is expected to occur in this case?

- A. The system defaults to and boots into kickstart image
- B. The system defaults to and boots into GOLD firmware image
- C. The system defaults to the GOLD firmware image
- D. The system defaults to the backup image version

Show Suggested Answer





Actual exam question from Cisco's 350-601

Question #: 126

Topic #: 1

[\[All 350-601 Questions\]](#)

Which service profile is affected if the default host firmware policy in Cisco UCS Manager is changed?

- A. any service profile that uses the global-default host firmware policy
- B. any service profile that uses a user-created host firmware policy
- C. any service profile that has no host firmware policy defined
- D. any service profile that is not in the root sub-org

[Show Suggested Answer](#)





Actual exam question from Cisco's 350-601

Question #: 127

Topic #: 1

[\[All 350-601 Questions\]](#)

An engineer is implementing Cisco Intersight in a secure environment. The environment must use LDAP directory service and ensure information integrity and confidentiality. Which two steps must be taken to implement the solution? (Choose two.)

- A. Enable Certificate Signing Request in Cisco Intersight
- B. Add a trusted root LDAP certificate to Cisco Intersight
- C. Enable Encryption for LDAP
- D. Add a self-signed LDAP certificate to Cisco Intersight
- E. Add a trusted OAuth token to Cisco Intersight

Show Suggested Answer





Actual exam question from Cisco's 350-601

Question #: 128

Topic #: 1

[\[All 350-601 Questions\]](#)

Due to a domain name change at a customer site, a Cisco UCS cluster must be renamed. An engineer must recommend a solution to ensure that the Cisco UCS Manager is available over HTTPS.

Which action accomplishes this goal?

- A. Regenerate the default key ring certificate manually
- B. Reinstall the cluster to generate the default key ring certificate
- C. Reboot the SSO component of the Cisco UCS Manager
- D. Generate a new default key ring certificate from the Cisco UCS Manager

Show Suggested Answer





Actual exam question from Cisco's 350-601

Question #: 129

Topic #: 1

[\[All 350-601 Questions\]](#)

An engineer needs to make an XML backup of Cisco UCS Manager. The backup should be transferred using an authenticated and encrypted tunnel, and it should contain all system and service profiles configuration. Which command must be implemented to meet these requirements?

- A. `copy running-config scp://user@host35/backups/all-config9.bak all-configuration`
- B. `create backup scp://user@host35/backups/all-config9.bak all-configuration`
- C. `create file scp://user@host35/backups/all-config9.bak all-configuration`
- D. `copy startup-config scp://user@host35/backups/all-config9.bak all-configuration`

Show Suggested Answer





Actual exam question from Cisco's 350-601

Question #: 130

Topic #: 1

[\[All 350-601 Questions\]](#)

A network architect considers a Cisco HyperFlex design solution for a company. The proposed solution is for a virtual environment that is not performance-sensitive, but the solution must have high storage capacity and a low cost. Which Cisco HyperFlex storage configuration should be used?

- A. Hybrid
- B. All-SAN
- C. All-NVMe
- D. All-Flash

[Show Suggested Answer](#)



Actual exam question from Cisco's 350-601

Question #: 131

Topic #: 1

[\[All 350-601 Questions\]](#)

The Cisco Nexus 5600 Series Switch experiences occasional packet drops on interface ethernet 1/16. An engineer wants to implement a SPAN session to investigate the issue further. The network analyzer to which the packets must be directed is located on interface 1/3. The analyzer is limited on disk space available for traffic capture, so the Cisco Nexus Switch should send only the relevant data. Which two command sets configure the SPAN session that meets these requirements? (Choose two.)

A.

```
span session 2
type SPAN-on-DROP
destination interface ethernet 1/3
source interface ethernet 1/16
```

B.

```
interface ethernet 1/3
switchport monitor
```

C.

```
monitor session 2 type SPAN-on-DROP
destination interface ethernet 1/3
source interface ethernet 1/16
```

D.

```
monitor session 2
destination interface ethernet 1/3
span interface ethernet 1/16
```

E.

```
interface ethernet 1/3
switchport span
```

Show Suggested Answer

Actual exam question from Cisco's 350-601

Question #: 132

Topic #: 1

[\[All 350-601 Questions\]](#)

An engineer needs to monitor ingress traffic that arrives at interface Ethernet 1/3 that belongs to a Cisco Nexus 5600 Series Switch. The traffic analyzer machine located at interface Ethernet 1/5 is already monitoring other production, and the traffic analyzer must not be impacted by the traffic captured from the interface Eth1/3. The operations team allocated a traffic budget for the new monitoring session of 1 Gbps to meet this requirement. Which set of commands configures the SPAN session?

A.

```
interface Ethernet 1/3
monitor session 2
destination interface ethernet 1/5
source interface rx
```

```
interface Ethernet 1/5
monitor rate-limit 1G
```

B.

```
interface Ethernet 1/3
monitor rate-limit 1G
destination interface ethernet 1/5
source interface rx
```

```
interface Ethernet 1/5
monitor session 2
destination interface tx
```

C.

```
interface Ethernet 1/3
switchport monitor rate-limit 1G

monitor session 2
destination interface ethernet 1/5
source interface Eth 1/3
```

D.

```
interface Ethernet 1/3 rx
switchport mode SD
switchport monitor rate-limit 1G
monitor session2
destination interface ethernet 1/5
```

Show Suggested Answer

Actual exam question from Cisco's 350-601

Question #: 133

Topic #: 1

[\[All 350-601 Questions\]](#)

An engineer needs to perform a backup of user roles and locales from Cisco UCS Manager to replicate the setting to a different fabric interconnect. The engineer wants to review the file before importing it to a target fabric interconnect. Which backup type must be selected to meet these requirements?

- A. logical configuration
- B. full state
- C. system configuration
- D. all configuration

[Show Suggested Answer](#)



Actual exam question from Cisco's 350-601

Question #: 134

Topic #: 1

[\[All 350-601 Questions\]](#)

An engineer creates a service profile in Cisco UCS Manager and must assign a policy that reboots blades when changes are applied. The changes must be applied only after user acknowledgment. Which two policies must be configured to meet these requirements? (Choose two.)

- A. Reboot Policy
- B. Boot Policy
- C. Power Control Policy
- D. Global Policy
- E. Maintenance Policy

Show Suggested Answer





Actual exam question from Cisco's 350-601

Question #: 135

Topic #: 1

[\[All 350-601 Questions\]](#)

A network engineer plans to upgrade the firmware of a Cisco UCS B-Series chassis by using the Auto Install feature. Which component is upgraded during the infrastructure firmware upgrade stage?

- A. Adapter
- B. Cisco IMC
- C. I/O Modules
- D. BIOS

[Show Suggested Answer](#)



Actual exam question from Cisco's 350-601

Question #: 136

Topic #: 1

[\[All 350-601 Questions\]](#)

An engineer must build a lab replica of a Cisco UCS production environment. The file must be imported into a new Cisco UCS cluster using a Cisco UCS Manager GUI. The file must be in XML format and be exported from Cisco UCS Manager using an encrypted method. Which two configuration parameters should be selected to meet these requirements? (Choose two.)

- A. Type: Full state
- B. Type: Logical configuration
- C. Protocol: TFTP
- D. Type: All configuration
- E. Protocol: SCP

Show Suggested Answer



Actual exam question from Cisco's 350-601

Question #: 137

Topic #: 1

[\[All 350-601 Questions\]](#)

A network engineer must configure a power redundancy policy on a Cisco UCS C-Series Rack Server. The power redundancy must support two power sources being used to power the server. Which configuration should be applied to meet the requirement?

A.

```
server# scope org /  
server /org # scope psu-policy  
server /org/psu-policy # set redundancy N+1  
server /org/psu-policy* # commit-buffer
```

B.

```
server# scope org /  
server /org # scope psu-policy  
server /org/psu-policy # set redundancy grid  
server /org/psu-policy* # commit-buffer
```

C.

```
server# scope org /  
server /org # scope psu-policy  
server /org/psu-policy # set psu-redundancy-policy N+1  
server /org/psu-redundancy-policy* # commit-buffer
```

D.

```
server# scope org /  
server /org # scope psu-policy  
server /org/psu-policy # set psu-redundancy-policy grid  
server /org/psu-redundancy-policy* # commit-buffer
```

Show Suggested Answer

Actual exam question from Cisco's 350-601

Question #: 138

Topic #: 1

[\[All 350-601 Questions\]](#)

A Cisco UCS user called `Employee1` accidentally changed the boot policy of the Cisco UCS server at the Cisco UCS Manager root level. This change impacted all service profiles, and their storage connectivity was lost. The system administrator wants to prevent this issue from recurring in the future. The new security policy mandates that access must be restricted up to the organization level and prevent other users from modifying root policies. Which action must be taken to meet these requirements?

- A. Modify the privilege level assigned to the user
- B. Assign users to a specific Cisco UCS locale
- C. Assign the user `Employee1` the network-operator role
- D. Define a custom user role and assign it to users

Show Suggested Answer





Actual exam question from Cisco's 350-601

Question #: 139

Topic #: 1

[\[All 350-601 Questions\]](#)

A new employee must be granted access to add VLANs into an existing Cisco UCS Manager and configure NTP synchronization with date and time zone settings. Which two privileges must be granted to the employee to complete the task? (Choose two.)

- A. Service Profile Compute (ls-compute)
- B. Ext LAN Policy (ext-lan-policy)
- C. Service Profile Network Policy (ls-network-policy)
- D. Service Profile Config (ls-config)
- E. Ext LAN Config (ext-lan-security)

Show Suggested Answer



Actual exam question from Cisco's 350-601

Question #: 140

Topic #: 1

[\[All 350-601 Questions\]](#)

Servers / Service Profile Templates / root / Service Template ESXi-Server

General Storage Network iSCSI vNICs Boot Order Policies Events FSM vMedia Policy

Actions	Properties
Create Service Profiles From Template Create a Clone Associate with Server Pool Change Maintenance Policy Change UUD Change Management IP Address Show Policy Usage	Name : ESXi-Server Description : <input type="text"/> Unique Identifier : Derived from pool (default) Power State : UP Type : Initial Template <input type="text" value="+ Associated Server Pool"/> <input type="text" value="+ Maintenance Policy"/> <input type="text" value="+ Management IP Address"/>

LAN / Policies / root / vNIC Templates / vNIC Template Trunk-A

General VLANs Faults Events VLAN Groups

Actions	Properties
Modify VLANs Modify VLAN Groups Delete Show Policy Usage	Name : Trunk-A Description : <input type="text"/> Owner : Local Fabric ID : <input checked="" type="radio"/> Fabric A <input type="radio"/> Fabric B <input type="checkbox"/> Enable Failover Redundancy Redundancy Type : <input checked="" type="radio"/> No Redundancy <input type="radio"/> Primary Template <input type="radio"/> Secondary Template Target <input checked="" type="checkbox"/> Adapter <input type="checkbox"/> VM Template Type : <input checked="" type="radio"/> Initial Template <input type="radio"/> Updating Template CDN Source : <input checked="" type="radio"/> vNIC Name <input type="radio"/> User Defined MTU : <input type="text" value="1500"/> Policies MAC Pool : <input type="text" value="<not set>"/>

Refer to the exhibits. ESXi-Server is associated to the blade server. A VLAN is added to Trunk-A. The VLAN is missing on the vNIC of ESXi-Server. Which action should be taken to add the VLAN to the vNIC?

- Change the template type of Trunk-A to an updating template.
- Remove the VLAN from the Trunk-A template and add the VLAN again.
- Change the template type of ESXi-Server to an updating template.
- Remove both templates and recreate them as updating templates.

Show Suggested Answer





Actual exam question from Cisco's 350-601

Question #: 141

Topic #: 1

[\[All 350-601 Questions\]](#)

A network engineer is deploying a Cisco All-Flash HyperFlex solution. Which local storage configuration is required for the operating system and persistent logging?

- A. one solid state drive
- B. two SATA drives
- C. one SATA drive
- D. two solid state drives

Show Suggested Answer



Actual exam question from Cisco's 350-601

Question #: 142

Topic #: 1

[\[All 350-601 Questions\]](#)

DRAG DROP -

Drag and drop the fields for configuring a full state backup file of the Cisco UCS Manager from the left onto the descriptions on the right.

Select and Place:

hostname

location where the backup file is stored

protocol

full path to the backup configuration file

remote file

binary file that includes a snapshot of the entire system

type

settings used to transfer the file to the backup server

Show Suggested Answer



Actual exam question from Cisco's 350-601

Question #: 143

Topic #: 1

[\[All 350-601 Questions\]](#)

An engineer configures an Intersight Virtual Appliance and must claim over 200 targets. The engineer starts the Claim New Target Procedure. The engineer has prepared this initial comma-separated value file to provision the targets:

```
UCSFI,10.1.1.3,user-1,pwd5516b917
```

```
IMC,10.1.1.5/26,user-2,pwdc65b1c43f
```

```
HX,10.1.2.1/30,user-3,pwd39913690
```

```
UCSD,1.1.1.1.user-4,pwd5003e9d5 -
```

Which information must be included in the comma-separated value file to provision the targets?

- A. target type, hostname or IP address, user name, password
- B. location, address, name, password
- C. FQDN, AD name, IP address, email
- D. certificate, user name, password, email

Show Suggested Answer



Actual exam question from Cisco's 350-601

Question #: 144

Topic #: 1

[\[All 350-601 Questions\]](#)

Which component is disrupted when the Cisco Integrated Management Controller is upgraded on a Cisco UCS Series Server?

- A. SAN traffic
- B. Cisco UCS Manager
- C. KVM sessions
- D. data traffic

Show Suggested Answer



Actual exam question from Cisco's 350-601

Question #: 145

Topic #: 1

[\[All 350-601 Questions\]](#)

Which two configuration settings are available in the Cisco UCS Firmware Auto Sync Server policy? (Choose two.)

- A. Immediate Action
- B. User Notification
- C. User Acknowledge
- D. Delayed Action
- E. No Action

Show Suggested Answer



Actual exam question from Cisco's 350-601

Question #: 146

Topic #: 1

[\[All 350-601 Questions\]](#)

A Cisco Nexus 9000 Series Switch experiences a startup configuration corruption. The engineer must implement a procedure to recover the backup configuration file from the switch. Which command set must be used?

- A. 1. Clear the current configuration of the switch 2. Restart the device 3. Copy a previously saved configuration file to the running-configuration 4. Copy the running-configuration to the startup configuration
- B. 1. Clear the current configuration of the switch 2. Restart the device 3. Copy the running configuration to the startup configuration 4. Copy a previously saved configuration file to the running configuration
- C. 1. Copy the running-configuration to the startup configuration 2. Clear the current configuration of the switch 3. Restart the device 4. Copy a previously saved configuration file to the running configuration
- D. 1. Restart the device 2. Copy the running-configuration file to a remote server 3. Clear the current configuration of the switch 4. Copy the running configuration to the startup configuration

Show Suggested Answer



Actual exam question from Cisco's 350-601

Question #: 147

Topic #: 1

[\[All 350-601 Questions\]](#)

An engineer configures the properties of a Cisco UCS Cisco Integrated Management Controller network adapter for a standalone Cisco C-Series Server. The Failback Timeout in the vNIC was set to 600. When the failure occurs, the secondary interfaces must be used and then failback when the primary interface becomes available again. Which action must be taken to meet these requirements?

- A. Set default VLAN on the adapters.
- B. Increase CoS to 6.
- C. Enable Uplink Failover.
- D. Disable VNTAG mode.

Show Suggested Answer



Actual exam question from Cisco's 350-601

Question #: 148

Topic #: 1

[\[All 350-601 Questions\]](#)

An engineer must perform a backup operation of the Cisco UCS system. The backup must be transferred to a secure location using UDP and must contain information about VLANs, VSANs, and other policies. Also, the operations team requires the backup file to be in a human-readable format. Which configuration set meets these requirements?

- A. Type: All configuration Protocol: FTP
- B. Type: Full state Protocol: SFTP
- C. Type: Logical configuration Protocol: TFTP
- D. Type: System configuration Protocol: SCP

Show Suggested Answer





Actual exam question from Cisco's 350-601

Question #: 149

Topic #: 1

[\[All 350-601 Questions\]](#)

When deploying a Cisco HyperFlex edge with a pair of switches, what is the minimum number of interfaces in trunk mode required on each HX node?

- A. 1
- B. 2
- C. 4
- D. 6

Show Suggested Answer





Actual exam question from Cisco's 350-601

Question #: 150

Topic #: 1

[\[All 350-601 Questions\]](#)

What is a benefit of independent resource scaling in Cisco HyperFlex hybrid architecture?

- A. remote booting of converged servers
- B. flexible expansion of compute, caching, and capacity
- C. multivendor converged node hardware support
- D. support for compute nodes with third-party storage

Show Suggested Answer





Actual exam question from Cisco's 350-601

Question #: 151

Topic #: 1

[\[All 350-601 Questions\]](#)

Which method must a network engineer use to upgrade the BIOS firmware on a Cisco UCS standalone C-Series rack-mount server?

- A. Use the U-ACPI Interface.
- B. Use the Cisco host upgrade utility.
- C. Use the Cisco hardware upgrade utility.
- D. Use the Cisco host firmware policy.

Show Suggested Answer



Actual exam question from Cisco's 350-601

Question #: 152

Topic #: 1

[\[All 350-601 Questions\]](#)

An engineer must configure the order in which the server attempts to boot from available boot device types using Cisco Integrated Management Controller (Cisco IMC). The engineer must change the boot order configuration during the setup and apply the new requirements multiple times. The requirement is to change the Cisco IMC actual boot order so it is different from the configured boot order. Which setting accomplishes this goal?

- A. Enable the system to boot with the configured boot order.
- B. Set the boot configuration directly through BIOS.
- C. Apply UEFI Secure Boot for a nonsupported operating system.
- D. Configure the legacy and precision boot order to be mutually exclusive.

Show Suggested Answer





Actual exam question from Cisco's 350-601

Question #: 153

Topic #: 1

[\[All 350-601 Questions\]](#)

In an FCoE environment, for which two sets of data must an interface that implements the PAUSE mechanism always provision sufficient ingress buffer? (Choose two.)

- A. frames that were sent with high credit
- B. frames that were sent on the link but not yet received
- C. frames that were processed and transmitted by the transmitter after the PAUSE frame left the sender
- D. frames that were processed and transmitted by the transmitter before the PAUSE frame left the sender
- E. frames that were sent on the link and received

Show Suggested Answer





Actual exam question from Cisco's 350-601

Question #: 154

Topic #: 1

[\[All 350-601 Questions\]](#)

What are two types of FC/FCoE oversubscription ratios? (Choose two.)

- A. switch processing power to end-node processing power
- B. port bandwidth to uplink bandwidth
- C. server storage to end-node count
- D. edge ISL bandwidth to core ISL bandwidth
- E. host bandwidth to storage bandwidth

Show Suggested Answer



Actual exam question from Cisco's 350-601

Question #: 155

Topic #: 1

[\[All 350-601 Questions\]](#)

DRAG DROP -

Drag and drop the characteristics from the left onto the correct storage systems on the right.

Select and Place:

expensive and complex to manage

moderately expensive and simple to configure

most resilient, highly scalable,
and high-performance storage

appliance providing file system access

lacks scalability, performance,
and advanced features

NAS

SAN

Show Suggested Answer

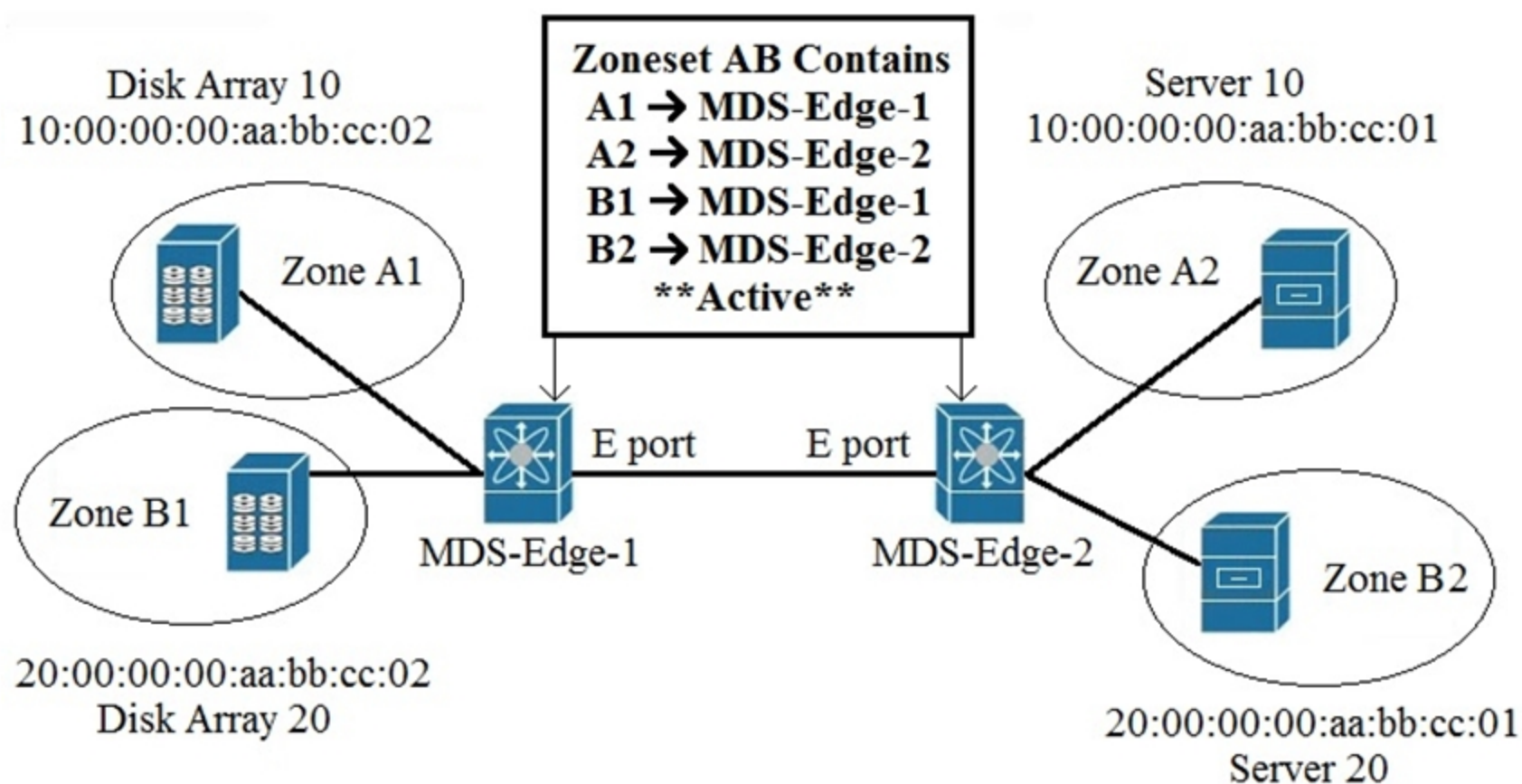
Actual exam question from Cisco's 350-601

Question #: 156

Topic #: 1

[\[All 350-601 Questions\]](#)

Refer to the exhibit.



An engineer is implementing zoning on two Cisco MDS switches. After the implementation is finished, E Ports that connect the two Cisco MDS switches become isolated.

What is wrong with the implementation?

- A. Zones are local to the MDS switch and name service must be used to activate the connection between E Ports.
- B. Different zone set names must be configured on both MDS switches.
- C. Zones must have the same name on both MDS switches for the E Ports to function.
- D. E Ports on both MDS switches must be configured as F Ports for the zoning to function.

Show Suggested Answer



Actual exam question from Cisco's 350-601

Question #: 157

Topic #: 1

[\[All 350-601 Questions\]](#)

An engineer is implementing FCoE.

Which aspect of DCBXP on a Cisco Nexus switch affects this implementation?

- A. It requires that LLDP transmit and LLDP receive are enabled on the FCoE interface.
- B. It uses the Cisco Fabric Services protocol to exchange parameters between two peer links.
- C. It provides the authentication of peers on the Cisco Nexus switch.
- D. It always is enabled on 10/100-Mbps native Ethernet ports.

[Show Suggested Answer](#)





Actual exam question from Cisco's 350-601

Question #: 158

Topic #: 1

[\[All 350-601 Questions\]](#)

Which product includes prebuilt templates that are available to be used to customize fabric deployments?

- A. Cisco Tetration
- B. Cisco Data Center Network Manager
- C. Cisco ACI
- D. Cisco UCS Manager

Show Suggested Answer



Actual exam question from Cisco's 350-601

Question #: 159

Topic #: 1

[\[All 350-601 Questions\]](#)

Which statement describes the MAC address that the FCoE Initialization Protocol chooses for use by an E-Node in an FCoE implementation?

- A. The FCoE Initialization Protocol uses a 24-bit FC-MAP and concatenates a 24-bit Fibre Channel ID to create a fabric-provided MAC address.
- B. The FCoE Initialization Protocol uses the burned-in MAC address of the converged network adapter for all FCoE operations.
- C. FCoE does not use a MAC address. The FCoE Initialization Protocol is used to acquire a Fibre Channel ID, and the address is used for all FCoE communications in the same way as Fibre Channel Protocol.
- D. The FCoE Initialization Protocol uses 01.00.0C as the first 24 bits of the MAC address and appends a 24-bit Fibre Channel ID to derive a full 48-bit FCoE MAC address.

Show Suggested Answer





Actual exam question from Cisco's 350-601

Question #: 160

Topic #: 1

[\[All 350-601 Questions\]](#)

Which statement describes monitoring Fibre Channel traffic on a Cisco UCS 6332 Fabric Interconnect?

- A. Fibre Channel traffic is monitored only on one vHBA per server.
- B. Fibre Channel traffic is capable to be monitored as it is encapsulated as FCoE.
- C. The monitoring of Fibre Channel traffic is limited to the default VSAN.
- D. The destination port for monitoring must be an unassigned Fibre Channel port.

Show Suggested Answer



Actual exam question from Cisco's 350-601

Question #: 161

Topic #: 1

[\[All 350-601 Questions\]](#)

An engineer is implementing NPV mode on a Cisco MDS 9000 Series Switch.

Which action must be taken?

- A. NPIV must be enabled on the upstream switch.
- B. The FCNS database must be disabled in the fabric.
- C. A port channel must be configured to the upstream switch.
- D. All switches in the fabric must be Cisco MDS switches.

Show Suggested Answer



Actual exam question from Cisco's 350-601

Question #: 162

Topic #: 1

[\[All 350-601 Questions\]](#)

Which two statements describe modifying Cisco UCS user accounts? (Choose two.)

- A. Disabling a user account maintains all of the data in the Cisco UCS Fabric Interconnect.
- B. The admin account is used only to log on by using SSH.
- C. The password of the user account must contain a minimum of 10 characters.
- D. Local user accounts override the same account on a remote authentication server, such as TACACS, RADIUS, or LDAP.
- E. The password of the user account expires in 30 days.

Show Suggested Answer





Actual exam question from Cisco's 350-601

Question #: 163

Topic #: 1

[\[All 350-601 Questions\]](#)

An engineer must ensure fabric redundancy when implementing NPV mode on a Cisco MDS 9000 Series Switch.

Which action enables fabric redundancy?

- A. Use TE ports to connect to upstream switches.
- B. Add a port channel to upstream switches.
- C. Configure the NPV devices to use an external FLOGI database.
- D. Connect the NPV devices to multiple upstream switches.

[Show Suggested Answer](#)





Actual exam question from Cisco's 350-601

Question #: 164

Topic #: 1

[\[All 350-601 Questions\]](#)

An engineer is converting a Cisco MDS switch to support NPIV mode.
What should be considered when implementing the solution?

- A. It requires mapping of external interface traffic.
- B. It must be enabled on VSAN 1 only.
- C. It must be enabled globally on all VSANs.
- D. It requires the FLOGI database to be disabled.

Show Suggested Answer



Actual exam question from Cisco's 350-601

Question #: 165

Topic #: 1

[\[All 350-601 Questions\]](#)

DRAG DROP -

An engineer must recover configuration on a Cisco MDS 9000 Series switch from a previous version that was backed up to bootflash and then verify the restoration. Drag and drop the commands on the left to the correct order on the right.

Select and Place:

copy bootflash:<configuration_file>
running-config

copy running-config startup-config

show startup-config

write erase

reload

Step 1

Step 2

Step 3

Step 4

Step 5

Show Suggested Answer

Actual exam question from Cisco's 350-601

Question #: 166

Topic #: 1

[\[All 350-601 Questions\]](#)

Refer to the exhibit.

```
N5K-1 (config)#interface fc2/3
N5K-1 (config-if) #switchport mode sd
N5K-1 (config-if) # no shutdown
```

What is the result of implementing this configuration?

- A. The Fibre Channel interface is configured for SPAN.
- B. The Fibre Channel interface is configured for source distribution.
- C. The Fibre Channel interface is configured for FSPF.
- D. The Fibre Channel interface is configured for synchronization distribution.

Show Suggested Answer

Actual exam question from Cisco's 350-601

Question #: 167

Topic #: 1

[\[All 350-601 Questions\]](#)

DRAG DROP -

Drag and drop the characteristics from the left onto the NAS protocols on the right. Some characteristics are used more than once.

Select and Place:

used to boot VHDX files

used to boot VMDK files

uses lease-based model for file locking

used to provide shared storage for hypervisors

NFS

SMB/CIFS

Show Suggested Answer



Actual exam question from Cisco's 350-601

Question #: 168

Topic #: 1

[\[All 350-601 Questions\]](#)

DRAG DROP -

Drag and drop the NAS features from the left onto the NAS descriptions on the right. Not all features are used.

Select and Place:

block-based data storage

Ethernet protocol

FCoE

file-based data storage

Fibre Channel protocol

stripe data and metadata across nodes

UPnP

storage type

clustering type

connectivity type

serving protocol type

Show Suggested Answer



Actual exam question from Cisco's 350-601

Question #: 169

Topic #: 1

[\[All 350-601 Questions\]](#)

DRAG DROP -

A storage engineer must configure zoning on a Cisco MDS 9000 Series switch. Drag and drop the actions from the left into the order on the right.

Select and Place:

zone name Zone1 vsan 4

member pwwn 10:00:00:23:45:67:89:ac

zoneset activate name Zoneset1 vsan 4

member Zone1

copy running-config startup-config

zoneset name Zoneset1 vsan 4

Step 1

Step 2

Step 3

Step 4

Step 5

Step 6

Show Suggested Answer





Actual exam question from Cisco's 350-601

Question #: 170

Topic #: 1

[\[All 350-601 Questions\]](#)

Which configuration statically assigns VSAN membership to a virtual Fibre Channel interface?

- A. switch(config-vsan-db)# vsan 100 interface vfc 31
- B. switch(config-vsan-db)# vsan 100 fc 3/1
- C. switch(config-vsan-db)# vsan 100 bind interface fc 3/1
- D. switch(config-vsan-db)# vsan 100 bind interface vfc 31

Show Suggested Answer



Actual exam question from Cisco's 350-601

Question #: 171

Topic #: 1

[\[All 350-601 Questions\]](#)

```
vlan 10
 fcoe vsan 10

interface ethernet 1/3
 spanning-tree port type edge trunk
 switchport mode trunk
 switchport trunk allowed vlan 1, 10
```

Refer to the exhibit. An engineer must configure FCoE on a Cisco Nexus switch. Which two command sets complete this configuration? (Choose two.)

- A. vsan database vsan 10 interface vfc 10
- B. interface vfc 10 bind interface ethernet 1/3 no shut
- C. vsan database vsan 10 interface ethernet 1/3
- D. interface vfc 10 bind interface fcoe-vfc 1/3 no shut
- E. interface fcoe 10 bind interface ethernet 1/3 no shut

Show Suggested Answer

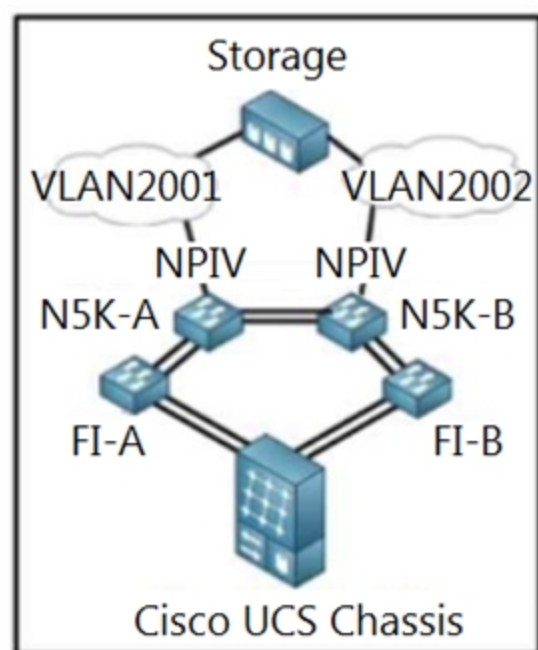


Actual exam question from Cisco's 350-601

Question #: 172

Topic #: 1

[\[All 350-601 Questions\]](#)



Create VSAN ✕

Create VSAN ?

Name:

FC Zoning Settings

FC Zoning: Disabled Enabled

Do **NOT** enable local zoning if fabric interconnect is connected to an upstream FC/FCoE switch.

Common/Global Fabric A Fabric B Both Fabrics Configured Differently

You are creating a global VSAN that maps to the same VSAN ID in all available fabrics.

Enter the VSAN ID that maps to this VSAN.

VSAN ID:

A VLAN can be used to carry FCoE traffic and can be mapped to this VSAN.

Enter the VLAN ID that maps to this VSAN.

FCoE VLAN:

Refer to the exhibit. An engineer is configuring a VSAN on the network. Which option must be selected to create the VSAN?

- A. Common/Global
- B. Fabric B
- C. FC Zoning Enabled
- D. Fabric A

Show Suggested Answer



Actual exam question from Cisco's 350-601

Question #: 173

Topic #: 1

[\[All 350-601 Questions\]](#)

An engineer is configuring a vHBA template in UCS Manager. The engineer needs to specify the logical addresses used by the vHBA and the path through which the SAN traffic flows. Which two resources must be specified in the vHBA template? (Choose two.)

- A. MAC addresses
- B. WWPN Pool
- C. WWNN
- D. Fabric ID
- E. VLAN ID

Show Suggested Answer



Actual exam question from Cisco's 350-601

Question #: 174

Topic #: 1

[\[All 350-601 Questions\]](#)

```
MDSSWITCH# config terminal
MDSSWITCH (config)# fcip profile 1
MDSSWITCH (config-profile)# ip address 192.0.1.10
MDSSWITCH (config-profile)# port 5000
MDSSWITCH (config-profile)# tcp max-bandwidth-mbps 5000
min-available-bandwidth-mbps 4000 round-trip-time-ms 1
MDSSWITCH (config-profile)# exit
MDSSWITCH (config)# interface fcip 1
MDSSWITCH (config-if)# use-profile 1
MDSSWITCH (config-if)# peer-info ipaddr 192.0.1.11
MDSSWITCH (config-if)# tcp-connections 1
MDSSWITCH (config-if)# ip-compression mode2
MDSSWITCH (config-if)# no shutdown
MDSSWITCH (config-if)# exit
MDSSWITCH (config)# interface ipStorage 1/1
MDSSWITCH (config-if)# ip address 192.0.1.10 255.255.255.0
MDSSWITCH (config-if)# switchport mtu 2500
MDSSWITCH (config-if)# no shutdown
MDSSWITCH (config-if)# end
```

Refer to the exhibit. An engineer configures FCIP on a Cisco MDS 9000 Series switch. What is the result of implementing the configuration?

- A. The switch attempts to make two TCP connections.
- B. Compression is performed by using hardware.
- C. Compression is performed by using software.
- D. Mode2 is enabled by default.

Show Suggested Answer



Actual exam question from Cisco's 350-601

Question #: 175

Topic #: 1

[\[All 350-601 Questions\]](#)

The FCoE technology is used in a data center and the MDS switches are configured as Fibre Channel Forwarders. Which configuration should be applied to an MDS switch in order to be used as the best switch to connect by the CNAs in the fabric?

- A. fcoe fcf-priority 512
- B. fcoe fcf-priority 0
- C. no fcoe fcf-priority
- D. fcoe fcf-priority 1024

[Show Suggested Answer](#)



Actual exam question from Cisco's 350-601

Question #: 176

Topic #: 1

[\[All 350-601 Questions\]](#)

```
N5K-Core# configure terminal
Enter configuration commands, one per line. End with CNTL/Z.
N5K-Core(config)# interface fc2/1
N5K-Core(config-if)# switchport speed 4000
N5K-Core(config-if)# no shutdown
N5K-Core(config)# interface fc2/2
N5K-Core(config-if)# no shutdown
N5K-Core(config)# monitor session 1
N5K-Core(config-monitor)# source interface fc2/1
N5K-Core(config-monitor)# destination interface fc2/2
N5K-Core(config-monitor)# no shutdown
```

Refer to the exhibit. An engineer implements SPAN configuration on an Nexus 5000 series switch. Which two commands are necessary to complete the SPAN session configuration?

- A. Configure switchport speed 4000 under interface fc2/2.
- B. Configure the switchport monitor under interface fc2/2.
- C. Configure session type fc under monitor session 1.
- D. Configure the switchport mode SD under interface fc2/1.
- E. Configure the switchport mode SD under interface fc2/2.

Show Suggested Answer



Actual exam question from Cisco's 350-601

Question #: 177

Topic #: 1

[\[All 350-601 Questions\]](#)

What is a recommended design choice in a topology for multipathing iSCSI traffic?

- A. single initiator to dual targets
- B. two NICs bonded together on the initiator
- C. dual initiators to a single target with bonded interfaces
- D. initiators and targets in separate subnets

Show Suggested Answer





Actual exam question from Cisco's 350-601

Question #: 178

Topic #: 1

[\[All 350-601 Questions\]](#)

Which two actions should be taken before an upgrade is started on a Cisco MDS switch? (Choose two.)

- A. disable Cisco Fabric Services
- B. check the impact of the upgrade using the show install all impact command
- C. free up space on the USB3 device by deleting old Cisco NX-OS image files
- D. make the primary supervisor the active supervisor
- E. back up the configuration

Show Suggested Answer





Actual exam question from Cisco's 350-601

Question #: 179

Topic #: 1

[\[All 350-601 Questions\]](#)

Which solution provides remote and direct file-level access to users and systems?

- A. direct-attached storage
- B. Fibre Channel over Ethernet
- C. network-attached storage
- D. storage area network

Show Suggested Answer





Actual exam question from Cisco's 350-601

Question #: 180

Topic #: 1

[\[All 350-601 Questions\]](#)

Which storage protocol reduces file locks by using leasing?

- A. SMB
- B. NFS 3
- C. NFS 4
- D. CIFS

Show Suggested Answer



Actual exam question from Cisco's 350-601

Question #: 181

Topic #: 1

[\[All 350-601 Questions\]](#)

A customer data center is configured for distribution of user roles, call home, and NTP. The data center was split into two geographically separate locations called DC1 and DC2. The requirement is for the user role configurations to be distributed in DC1 and for NTP and call home features to be constrained to DC2. Which two configuration sets must be used to meet these requirements? (Choose two.)

A.

```
! On Data Center 1
configure terminal
cfs 1
roles
aaa
```

B.

```
! On Data Center 1
configure terminal
cfs region 1
ntp
callhome
```

C.

```
! On Data Center 1
configure terminal
cfs 1
ntp
callhome
```

D.

```
! On Data Center 2
configure terminal
cfs region 2
roles
```

E.

```
! On Data Center 2
configure terminal
cfs 2
roles
aaa
```

Show Suggested Answer

Actual exam question from Cisco's 350-601

Question #: 182

Topic #: 1

[\[All 350-601 Questions\]](#)

```
NEXUS# configure terminal
NEXUS# locator-led fex 100
NEXUS(config)# feature fex
NEXUS(config)# fex 100
NEXUS(config-fex)# type N2232TM
NEXUS(config-fex)# serial JAF1427BQLG
NEXUS(config)# interface ethernet 1/24-32
NEXUS(config-if)# switchport
NEXUS(config-if)# switchport mode fex-fabric
NEXUS(config-if)# fex associate 100
NEXUS(config-if)# no shutdown

NEXUS # show fex 100 detail
FEX: 100 Description: FEX0100 state: Online
  FEX version: 5.0(2)N1(1) [Switch version: 5.0(2)N1(1)]
  FEX Interim version: 5.0(2)N1(0.205)
  Switch Interim version: 5.0(2)N1(0.205)
  Extender Model: N2K-C2232TM, Extender Serial: JAF1427BQLG
  Part No: 73-13373-01
  Card Id: 132, Mac Addr: 68:ef:bd:62:2a:42, Num Macs: 64
  Module Sw Gen: 21 [Switch Sw Gen: 21]
  post level: complete
  pinning-mode: static | Max-links: 1
  Fabric port for control traffic: Eth1/29
  Fabric interface state:
    Eth1/25 - Interface Up. State: Active
    Eth1/26 - Interface Up. State: Active
    Eth1/27 - Interface Up. State: Active
    Eth1/28 - Interface Up. State: Active
    Eth1/29 - Interface Up. State: Active
    Eth1/30 - Interface up. State: Active
    Eth1/31 - Interface Up. State: Active
    Eth1/32 - Interface Up. State: Active
```

Refer to the exhibit. An engineer must distribute all the host ports to use all eight configured FEX uplinks. The solution must minimize disruption if an uplink fails. Which action accomplishes this objective?

- A. Set the pinning max-links value to 8
- B. Configure the eight uplinks in a port channel
- C. Change the supported FEX type
- D. Statically assign each host interface to a fabric uplink

Show Suggested Answer



Actual exam question from Cisco's 350-601

Question #: 183

Topic #: 1

[\[All 350-601 Questions\]](#)

An engineer must start a software upgrade on a Cisco Nexus 5000 Series Switch during a zone merge. What is the result of this action?

- A. The upgrade stops
- B. The zone merge pauses until the upgrade completes
- C. The zone merge stops
- D. The zone merge executes and then the upgrade completes

Show Suggested Answer



Actual exam question from Cisco's 350-601

Question #: 184

Topic #: 1

[\[All 350-601 Questions\]](#)

A network engineer needs to upgrade the EPLDs of the fabric modules for a Cisco MDS director-class switch. In which order are components reloaded during the process?

- A. one fabric module at the time
- B. all fabric modules followed by the entire switching platform
- C. all fabric modules in parallel
- D. one module and one supervisor at the time

[Show Suggested Answer](#)





Actual exam question from Cisco's 350-601

Question #: 185

Topic #: 1

[\[All 350-601 Questions\]](#)

What is a characteristic of EPLD updates on Cisco MDS 9000 Series Switches?

- A. EPLD bundles are released separately from a Cisco MDS NX-OS release
- B. EPLD packages update hardware functionality on a device
- C. EPLD updates are nondisruptive to traffic flow
- D. EPLD updates are installed only via the Cisco DCNM GUI

Show Suggested Answer





Actual exam question from Cisco's 350-601

Question #: 186

Topic #: 1

[\[All 350-601 Questions\]](#)

The EPLD update of the supervisor module has been scheduled for several Cisco MDS 9000 Series Switches. What will be the impact of the update?

- A. All traffic is stopped for the duration of the EPLD update and the switch is rebooted after the upgrade is completed.
- B. The redundant supervisor takes over while the EPLD update is in progress and the switch is rebooted after the upgrade is completed.
- C. All control plane traffic is stopped for the duration of the EPLD update and the switch remains operational for the duration of the upgrade.
- D. The redundant supervisor takes over while the EPLD update is in progress and there is no service disruption.

Show Suggested Answer



Actual exam question from Cisco's 350-601

Question #: 187

Topic #: 1

[\[All 350-601 Questions\]](#)

A network engineer configures a converged network adapter (CNA) and must associate a virtual Fibre Channel 7 interface to VSAN 7. The CNA is connected to the interface Eth1/7, and VLAN 700 is mapped to the VSAN. Which configuration must be applied to create the virtual Fibre Channel interface and associate it with the Ethernet physical interface?

- A. `switch(config)# interface vfc 7 switch(config-if)# bind interface ethernet 1/7`
- B. `switch(config)# vlan 700 switch(config-vlan)# fcoe vsan 7`
- C. `switch(config)# vsan database switch(config-vsan)# vsan 7 interface vfc 7`
- D. `switch(config)# interface ethernet 1/7 switch(config-if)# vfc 7 attach vlan 1,700`

Show Suggested Answer





Actual exam question from Cisco's 350-601

Question #: 188

Topic #: 1

[\[All 350-601 Questions\]](#)

A company is running a pair of Cisco Nexus 7706 Series Switches as part of a data center segment. All network engineers have restricted read-write access to the core switches. A network engineer must add a new FCoE VLAN to allow traffic from servers toward FCoE storage. Which set of actions must be taken to meet these requirements?

- A. 1. Assign the network-admin role to a user. 2. Commit the role to the switch to the active user database.
- B. 1. Modify a network-operator role and add the required privileges. 2. Assign a VDC-operator role to a user.
- C. 1. Create a user-defined role and add the required privileges. 2. Assign a role to a user.
- D. 1. Add the required privilege to the VDC-admin role. 2. Commit the changes to the active user database.

Show Suggested Answer





Actual exam question from Cisco's 350-601

Question #: 189

Topic #: 1

[\[All 350-601 Questions\]](#)

Which communication method does NFS use for requests between servers and clients?

- A. SMB
- B. RPC
- C. SSC
- D. XDR

Show Suggested Answer





Actual exam question from Cisco's 350-601

Question #: 190

Topic #: 1

[\[All 350-601 Questions\]](#)

What is an advantage of NFSv4 over Fibre Channel Protocol?

- A. uses IP transport
- B. congestion management
- C. improved security
- D. lossless throughput

Show Suggested Answer





Actual exam question from Cisco's 350-601

Question #: 191

Topic #: 1

[\[All 350-601 Questions\]](#)

A customer reports Fibre Channel login requests to a Cisco MDS 9000 Series Switch from an unauthorized source. The customer requires a feature that will allow all devices already logged in and learned to be added to the Fibre Channel active database. Which two features must be enabled to accomplish this goal?

(Choose two.)

- A. auto-learning
- B. smart aliases
- C. port security
- D. enhanced zoning
- E. device aliases

Show Suggested Answer





Actual exam question from Cisco's 350-601

Question #: 192

Topic #: 1

[\[All 350-601 Questions\]](#)

A network engineer must prevent data corruption due to cross fabric communication in an FCoE environment. Which configuration must be applied to the Cisco Nexus Unified Switches to achieve this objective?

- A. `switch(config-if)# shutdown lan`
- B. `switch(config-if)# no fcoe fcf-priority 0`
- C. `switch(config)# fcoe fcmap 0e.fc.2a`
- D. `switch(config)# no fcoe fcf-priority 255`

Show Suggested Answer





Actual exam question from Cisco's 350-601

Question #: 193

Topic #: 1

[\[All 350-601 Questions\]](#)

Which NFS version uses the TCP protocol and needs only one IP port to run the service?

- A. NFSv1
- B. NFSv2
- C. NFSv3
- D. NFSv4

Show Suggested Answer



Actual exam question from Cisco's 350-601

Question #: 194

Topic #: 1

[\[All 350-601 Questions\]](#)

MDS-B# show role

Role: network-admin

Description: Predefined Network Admin group. This role cannot be modified.

Vsan policy: permit (default)

Rule	Type	Command-type	Feature
1	permit	clear	*
2	permit	config	*
3	permit	debug	*
4	permit	exec	*
5	permit	show	*

Role: default-role

Description: This is a system defined role and applies to all users.

Vsan policy: permit (default)

Rule	Type	Command-type	Feature
1	permit	show	system
2	permit	show	snmp
3	permit	show	module
4	permit	show	hardware
5	permit	show	environment

Role: san-users

Description: SAN users

Vsan policy: permit (default)

Rule	Type	Command-type	Feature
1	permit	debug	zone
2	permit	exec	fcping

Refer to the exhibit. A network engineer created a new role to be assigned to the SAN users. The requirement is for users to have these characteristics:

* permitted to show access to the system, SNMP, module, and hardware information.

* permitted to run debug zone and exec fcping commands.

* restricted from accessing show feature environment command.

Which configuration set meets these requirements?

- A. MDS-B(config)# role name default-role MDS-B(config-role)# rule 5 deny show feature environment
- B. MDS-B(config)# role name default-role MDS-B(config-role)# rule 5 permit show feature module MDS-B(config-role)# rule 6 deny *
- C. MDS-B(config)# role name san-users MDS-B(config-role)# rule 3 deny show feature environment
- D. MDS-B(config)# role name san-users MDS-B(config-role)# rule 3 permit show feature system MDS-B(config-role)# rule 4 permit show feature hardware MDS-B(config-role)# rule 5 permit show feature module

Show Suggested Answer



Actual exam question from Cisco's 350-601

Question #: 195

Topic #: 1

[\[All 350-601 Questions\]](#)

What is a characteristic of the NFS protocol?

- A. It uses remote procedure calls with TCP/IP for transport.
- B. It is used for booting Cisco UCS B-Series servers.
- C. It is used to access a storage array at a block level.
- D. It uses UDP and HTTP as its transport.

Show Suggested Answer



Actual exam question from Cisco's 350-601

Question #: 196

Topic #: 1

[\[All 350-601 Questions\]](#)

A storage array must be connected to port ethernet1/10 on a Cisco MDS 9000 Series Switch. In addition, the array must connect using the FCoE protocol and be single-homed. Which configuration meets these requirements?

- A. vsan database vlan 101 vsan 101 fcoe vsan 101 interface vfc 10 interface 1/10 switchport mode e fcoe vfc 10
- B. interface vfc 10 switchport mode f bind interface ethernet 1/10 vsan database vsan 101 vlan 101 fcoe vsan 101 vsan 101 interface vfc 10
- C. vlan database vlan 101 vsan vsan 101 fcoe vsan 101 interface vfc 10 interface ethernet1/10 switchport mode trunk bind interface vfc 10 fcoe vsan 101
- D. vlan database vlan 101 fcoe vsan 101 enable interface vfc 10 vsan 101 interface vfc 10 switchport mode fcoe switchport access vlan 101 bind interface ethernet1/10

Show Suggested Answer





Actual exam question from Cisco's 350-601

Question #: 197

Topic #: 1

[\[All 350-601 Questions\]](#)

What is the impact of an EPLD upgrade on a Cisco MDS 9000 Series Switch?

- A. The standby supervisor module reloads multiple times.
- B. The active supervisor traffic is disrupted.
- C. The upgrade process disrupts only the module that is being upgraded.
- D. The upgrade disrupts the management connectivity to the switch.

Show Suggested Answer



Actual exam question from Cisco's 350-601

Question #: 198

Topic #: 1

[\[All 350-601 Questions\]](#)

An engineer must implement the FCoE on the Cisco Nexus 9000 Series Switch-based infrastructure. The deployment will contain dual-homed fabric extenders and must support jumbo frames with port channels. Which two sets of actions complete the configuration? (Choose two.)

- A. Create a virtual Fibre Channel Interface. Bind vFC to physical interface.
- B. Configure the interface with mtu 9516. Disable the feature NPIV.
- C. Create a dedicated VSAN for FEX. Bind VSAN to FEX uplinks.
- D. Execute fcoe enable-fex. Configure FEX uplinks with mtu 9216.
- E. Create a FCoE switch profile. Enable config sync.

Show Suggested Answer

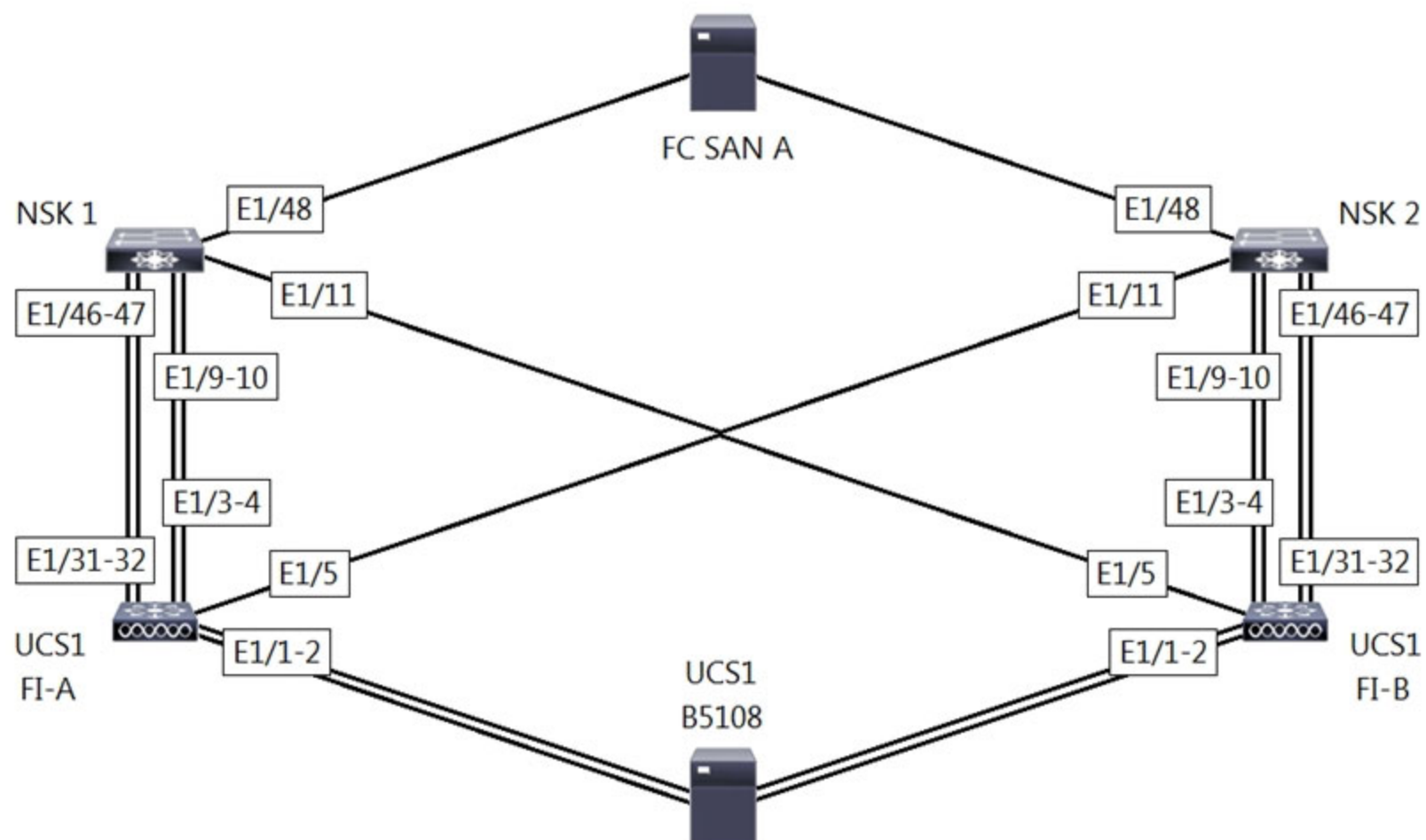


Actual exam question from Cisco's 350-601

Question #: 199

Topic #: 1

[\[All 350-601 Questions\]](#)



Refer to the exhibit. A network engineer must configure port E1/31-32 to forward only storage server traffic of VLAN 200 on Cisco fabric interconnects A and B. Port E1/31-32 is not reserved for any other traffic. Which port type must be configured to accomplish this goal?

- A. FCoE storage
- B. uplink
- C. unified uplink
- D. FCoE uplink

Show Suggested Answer





Actual exam question from Cisco's 350-601

Question #: 200

Topic #: 1

[\[All 350-601 Questions\]](#)

What is an advantage of NFS as compared to Fibre Channel?

- A. NFS removes the impact of IP overhead.
- B. NFS enables thin provisioning for LUNs.
- C. NFS provides direct access to the underlying storage hardware.
- D. NFS provides the dynamic allocation of storage capacity.

Show Suggested Answer



Actual exam question from Cisco's 350-601

Question #: 201

Topic #: 1

[\[All 350-601 Questions\]](#)

Which statement is true about upgrading the firmware on a Cisco MDS storage switch with dual supervisors?

- A. Supervisors can be upgraded independently to test the new firmware.
- B. The new firmware is loaded on the standby supervisor first.
- C. Both supervisors load the new firmware and then the active supervisor reboots.
- D. The standby supervisor must be offline before the firmware upgrade begins.

Show Suggested Answer



Actual exam question from Cisco's 350-601

Question #: 202

Topic #: 1

[\[All 350-601 Questions\]](#)

A Cisco MDS 9000 Series Storage Switch has reloaded unexpectedly.

Where does the engineer look for the latest core dump file?

- A. /mnt/recovery
- B. /mnt/core
- C. /mnt/logs
- D. /mnt/pss

Show Suggested Answer





Actual exam question from Cisco's 350-601

Question #: 203

Topic #: 1

[\[All 350-601 Questions\]](#)

An engineer must implement a Cisco UCS system at a customer site. One of the requirements is to implement SAN boot. The storage system maps the source WWPN to a unique LUN.

Which method does Cisco recommend to configure the SAN boot?

- A. Define the vHBAs as bootable and leave the boot target definition empty.
- B. Create a SAN boot policy in which every initiator is mapped to a different target LUN.
- C. Define the vHBAs as bootable and leave the default values on the boot target definition.
- D. Create a SAN boot policy in which every initiator is mapped to the same target LUN.

Show Suggested Answer

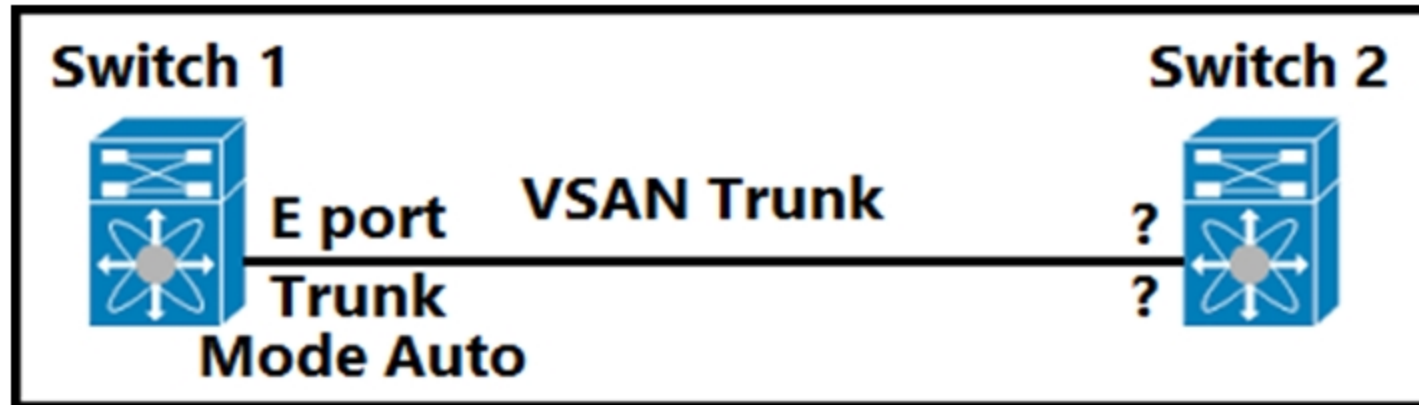


Actual exam question from Cisco's 350-601

Question #: 204

Topic #: 1

[\[All 350-601 Questions\]](#)



Refer to the exhibit. Which feature set must be used to configure on switch 2 to establish a VSAN trunk between switch 1 and switch 2?

A.

- F Port
- Trunk Mode Passive

B.

- N Port
- Trunk Mode Active

C.

- NP Port
- Trunk Mode Auto

D.

- E Port
- Trunk Mode On

Show Suggested Answer

Actual exam question from Cisco's 350-601

Question #: 205

Topic #: 1

[\[All 350-601 Questions\]](#)

An engineer is performing a configuration on a Cisco Nexus 5000 Series Switch. The requirement is for the current Fibre Channel IDs in VSAN 120 to be saved across reboots. The Cisco environment also must integrate with a third-party solution that requires persistent Fibre Channel IDs for the VSAN. The WWN of the Cisco switch must be 33:e8:00:05:30:00:16:df and its Fibre Channel ID 0x070128. Which command set meets these requirements?

- A. fcdomain fcid database vsan 120 wwn 33:e8:00:05:30:00:16:df fcid 0x070128 fcdomain fcid persistent vsan 120
- B. fabric-binding database vsan 120 vsan 120 wwn 33:e8:00:05:30:00:16:df fcid 0x070128
- C. vsan 120 wwn 33:e8:00:05:30:00:16:df fcid 0x070128 fabric-binding activate vsan 120 purge fcdomain fcid vsan 4
- D. ysan 120 wwn 33:e8:00:05:30:00:16:df fcid 0x070128 fcdomain fcid preserve vsan 120

Show Suggested Answer

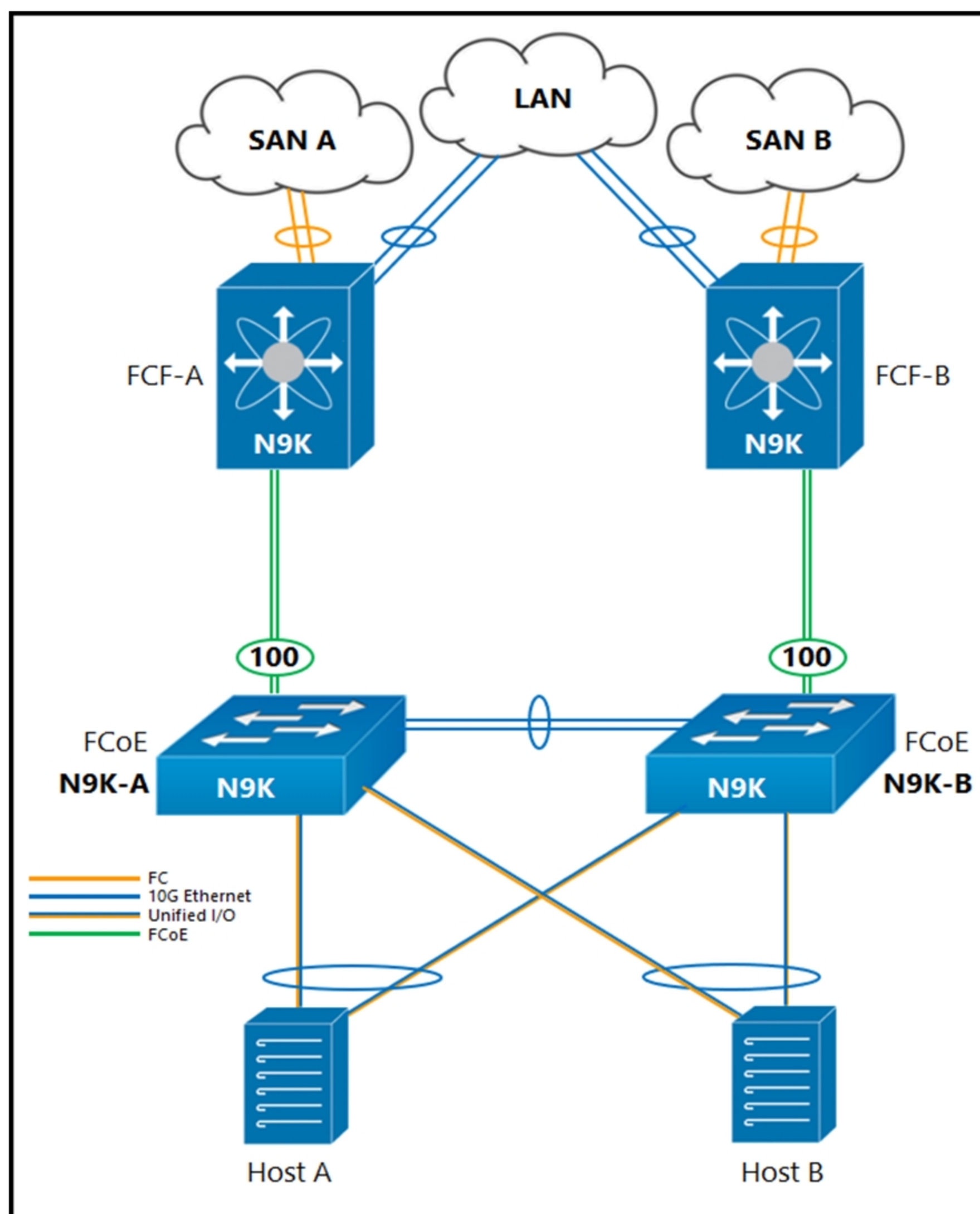


Actual exam question from Cisco's 350-601

Question #: 206

Topic #: 1

[\[All 350-601 Questions\]](#)



Refer to the exhibit. An engineer must configure FCoE between the N9K-A switch and the FCF-A Nexus 9000 core switch. The deployment has these characteristics:

- ⇒ The N9K-A and N9K-B top-of-rack switches share the domain ID of the core switches.
- ⇒ The hosts are equipped with converged network adapters.
- ⇒ The only VSAN that is used is permitted to traverse port-channel 100 is VSAN 20.

Which configuration completes the FCoE configuration on the N9K-A device?

- A. `N9K-A(config)# feature-set fcoe-npv N9K-A(config)# interface vfc-port-channel 100 N9K-A(config-if)# switchport mode E N9K-A(config-if)# switchport trunk allowed vsan 1, 20`
- B. `N9K-A(config)# feature-set fcoe-npv N9K-A(config)# interface vfc-port-channel 100 N9K-A(config-if)# switchport mode NP N9K-A(config-if)# switchport trunk allowed vsan 20`
- C. `N9K-A(config)# feature fcoe N9K-A(config)# feature npv N9K-A(config)# interface vfc 100 N9K-A(config-if)# bind interface port-channel 100 N9K-A(config-if)# switchport mode N N9K-A(config-if)# switchport trunk allowed vsan 1, 20`
- D. `N9K-A(config)# feature fcoe N9K-A(config)# feature npv N9K-A(config)# interface vfc 100 N9K-A(config-if)# bind interface port-channel 100 N9K-A(config-if)# switchport mode F N9K-A(config-if)# switchport trunk allowed vsan 20`

Show Suggested Answer

Actual exam question from Cisco's 350-601

Question #: 207

Topic #: 1

[\[All 350-601 Questions\]](#)

A customer has a requirement for an automation solution that supports periodically acquiring configuration from a centralized server and aligning UCS servers to their desired state.

Which open-source tool meets this requirement?

- A. SaltStack
- B. Kubernetes
- C. Puppet
- D. Terraform

Show Suggested Answer





Actual exam question from Cisco's 350-601

Question #: 208

Topic #: 1

[\[All 350-601 Questions\]](#)

An administrator needs to configure an automated policy to shut down a link when a given threshold is exceeded on MDS switch.

Which feature needs to be used?

- A. RMON
- B. EEM
- C. Call Home
- D. Scheduler

[Show Suggested Answer](#)





Actual exam question from Cisco's 350-601

Question #: 209

Topic #: 1

[\[All 350-601 Questions\]](#)

What is an advantage of using Ansible for automation as compared to Puppet and Chef?

- A. Ansible performs automation without installing a software agent on the target node.
- B. Ansible abstracts a scenario so that one set of configuration settings can be used across multiple operating systems.
- C. Ansible automates the enforcement of configuration settings.
- D. Ansible configures a set of CLI commands on a device by using NETCONF.

Show Suggested Answer





Actual exam question from Cisco's 350-601

Question #: 210

Topic #: 1

[\[All 350-601 Questions\]](#)

What is required for using Ansible with HTTP/HTTPS protocol in a Cisco NX-OS environment?

- A. XML management interface
- B. SSH
- C. Open Agent Container
- D. NX-API

Show Suggested Answer





Actual exam question from Cisco's 350-601

Question #: 211

Topic #: 1

[\[All 350-601 Questions\]](#)

What is required for using Puppet in a Cisco NX-OS environment?

- A. OpenNP
- B. XML management interface
- C. NX-API
- D. Open Agent Container

Show Suggested Answer



Actual exam question from Cisco's 350-601

Question #: 212

Topic #: 1

[\[All 350-601 Questions\]](#)

Refer to the exhibit.

Python Code:

```
import requests
import json

url='http://lab-93180bdlf-sw1/ins'
switchuser='dazfre'
switchpassword='ClscoroxO'

myheaders={'content-type' ; 'application/json'}
payload={
  "ins_api": {
    "version": "1.0",
    "type": "cli_show",
    "chunk": "0",
    "sid": "1",
    "input": "configure terminal ; feature hsrp",
    "output_format": "json"
  }
}
response = requests.post(url,data=json.dumps(payload),
headers=myheaders,auth=(switchuser,switchpassword))

print(response.text)
```

ERROR MESSAGE:

```
{
  "ins_api": {
    "type": "cli_show",
    "version": "1.0",
    "sid": "eoc",
    "outputs": {
      "output": [{
        "clierror": "% invalid command\n",
        "input": "configure terminal",
        "msg": "input CLI command error",
        "code": "400"
      },{
        "clierror": "% invalid command\n",
        "input": "feature hsrp",
        "msg": "input CLI command error",
        "code": "400"
      }
    ]
  }
}
```

Why does the Python code for Cisco NX-API print an error message?

- A. The JSON is not a supported format for the NX-API.
- B. The "type" is wrong in the header of the request and should be "cli_conf"
- C. NX-API does not allow configuration for features via the requests module.
- D. The "type" is wrong in the body of the request and should be "cli_conf"

Show Suggested Answer





Actual exam question from Cisco's 350-601

Question #: 213

Topic #: 1

[\[All 350-601 Questions\]](#)

Which two components should be checked when a Cisco Nexus 9000 Series Switch fails to boot using POAP? (Choose two.)

- A. POAP feature license
- B. DHCP server to bootstrap IP information
- C. image noted in the script file against switch bootflash
- D. script signed with security key
- E. TFTP server that contains the configuration script

Show Suggested Answer





Actual exam question from Cisco's 350-601

Question #: 214

Topic #: 1

[\[All 350-601 Questions\]](#)

A POAP-enabled Cisco Nexus switch will not enter POAP mode.

Which two conditions should be verified? (Choose two.)

- A. No startup configuration is available.
- B. The switch is in bootup process.
- C. The license file is missing on the switch.
- D. Bootflash must contain a special directory named POAP with poap.py file.
- E. No Cisco NX-OS image is present on the bootflash.

Show Suggested Answer





Actual exam question from Cisco's 350-601

Question #: 215

Topic #: 1

[\[All 350-601 Questions\]](#)

An engineer enters these commands while in EEM on a Cisco Nexus 9000 Series Switch event manager applet Backup-config event timer watchdog time 1800 name timer event cli match "copy running-config startup-config"

What is the result of applying this configuration?

- A. It generates an error because no action is mentioned.
- B. It executes the copy running-config startup-confing command.
- C. It saves the running configuration every 1800 seconds.
- D. It blocks the copy running-config startup-config command.

Show Suggested Answer



Actual exam question from Cisco's 350-601

Question #: 216

Topic #: 1

[\[All 350-601 Questions\]](#)

An engineer must modify an overridden policy by changing the number of FCNS database entries to 1500 and then generate a message.

What configuration will accomplish this task?

- A. event manager applet fcns_policy event fcns entries max-per-switch 1500 action 1.0 syslog priority warnings msg FCNS DB entries have reached the EEM limit action 2.0 policy-default
- B. event manager applet fcns_policy override __fcns_entries_max_per_switch action 1.0 syslog priority errors "CNS DB entries have reached the EEM limit" action 2.0 policy-default
- C. event manager applet fcns_policy override __fcns_entries_max_per_switch event fcns entries max-per-switch 1500 action 1.0 syslog priority warnings msg FCNS DB entries have reached the EEM limit
- D. event manager applet fcns_policy action 1.0 syslog priority warnings msg FCNS DB entries have reached the EEM limit action 2.0 event-default

Show Suggested Answer



Actual exam question from Cisco's 350-601

Question #: 217

Topic #: 1

[\[All 350-601 Questions\]](#)

Refer to the exhibit.

```
<?xml version="1.0" encoding="UTF-8"?><imdata totalCount="1"><error code="403" text="Token was invalid (Error: Token timeout)"/></imdata>
```

An engineer configures a new application profile using REST API and receives this error message.

Which method can be used before the application profile can be configured?

- A. GET to aaaListDomains
- B. POST to aaaRefresh
- C. POST to aaaLogin
- D. POST to aaaLogout

Show Suggested Answer



Actual exam question from Cisco's 350-601

Question #: 218

Topic #: 1

[\[All 350-601 Questions\]](#)

An engineer is asked to manage a large-scale data center and collect information from multiple Cisco NX-OS devices using Cisco NX-OS Data Management Engine model.

Which technology should be used to accomplish this goal?

- A. NETCONF
- B. NX Yang
- C. NX-API REST
- D. JSON-RPC

Show Suggested Answer





Actual exam question from Cisco's 350-601

Question #: 219

Topic #: 1

[\[All 350-601 Questions\]](#)

A network architect is asked to design and manage geographically distributed data centers across cities and decides to use a Multi-Site Orchestrator deployment. How many orchestrators should be deployed?

- A. 5
- B. 3
- C. 4
- D. 2

[Show Suggested Answer](#)



Actual exam question from Cisco's 350-601

Question #: 220

Topic #: 1

[\[All 350-601 Questions\]](#)

Which configuration generates a syslog message when CPU utilization is higher than 60%?

- A. event manager applet HIGH-CPU event snmp oid 1.3.6.1.4.1.9.9.109.1.1.1.6.1 get-type exact entry-op gt 60 poll-interval 5 action 1.0 syslog priority notifications msg "cpu high"
- B. event manager applet HIGH-CPU event snmp oid 1.3.6.1.4.1.9.9.109.1.1.1.6.1 get-type exact entry-op lt 60 poll-interval 5 action 1.0 syslog priority notifications msg "cpu high"
- C. event manager applet HIGH-CPU event snmp oid 1.3.6.1.4.1.9.9.109.1.1.1.6.1 get-type next entry-op gt 60 poll-interval 5 action 1.0 syslog priority notifications msg "cpu high"
- D. event manager applet HIGH-CPU event snmp oid 1.3.6.1.4.1.9.9.109.1.1.1.6.1 get-type next entry-op lt 60 poll-interval 5 action 1.0 syslog priority notifications msg "cpu high"

Show Suggested Answer





Actual exam question from Cisco's 350-601

Question #: 221

Topic #: 1

[\[All 350-601 Questions\]](#)

Which feature must be enabled to support the use of JSON and XML encodings when a Cisco Nexus 7000 Series Switch is deployed?

- A. Bash shell
- B. NX-API
- C. Open Agent Container
- D. LLDP

Show Suggested Answer





Actual exam question from Cisco's 350-601

Question #: 222

Topic #: 1

[\[All 350-601 Questions\]](#)

An engineer needs a utility to translate traditional Nexus CLI inputs and generate Python code using XML and JSON message formats. The solution needs to be available on a Nexus 7700 series switch. Which utility should be used?

- A. NX-API Sandbox
- B. NX-OS JSON-RPC
- C. Guest Shell for NX-OS
- D. Open NX-OS

[Show Suggested Answer](#)



Actual exam question from Cisco's 350-601

Question #: 223

Topic #: 1

[\[All 350-601 Questions\]](#)

```
n9k2# guestshell
[guestshell@guestshell ~]$ python
Python 2.7.5 (default, Jun 17 2014, 18:11:42)
[GCC 4.8.2 20140120 (Red Hat 4.8.2-16)] on linux2
Type "help", "copyright", "credits" or "license" for more information.
>>>
```

An engineer must use the python module in the guest shell of the Cisco Nexus 9000 Series switch to shutdown port Ethernet 1/4. Which command set will accomplish this?

- A. `from cli import * cli("conf t") cli("interface eth1/4") cli("shutdown")`
- B. `from cisco import cli cli("conf t" ; "interface eth1/4" ; "shut`
- C. `from cli import * cli("conf t ; interface eth1/4 ; shut")`
- D. `from cisco import cli cli("conf t ; interface eth1/4") cli("shutdown")`

Show Suggested Answer

Actual exam question from Cisco's 350-601

Question #: 224

Topic #: 1

[\[All 350-601 Questions\]](#)

DRAG DROP -

An engineer deploys a custom Guest Shell rootfs on a Nexus 9000 Series Switch. Drag and drop the steps from the left into the order required to deploy the solution on the right. Not all options are used.

Select and Place:

Customize the Guest Shell rootfs.

Export the Guest Shell rootfs.

Configure the virtual service.

Import the Guest Shell rootfs to other switches.

Install the specific Guest Shell across devices simultaneously.

Store it in a file server.

Step 1

Step 2

Step 3

Step 4

Step 5

Show Suggested Answer



Actual exam question from Cisco's 350-601

Question #: 225

Topic #: 1

[\[All 350-601 Questions\]](#)

The Cisco Nexus switch Generic Online Diagnostics policy for a PortLoopback test requires 10 consecutive failures to error disable the port. The customer wants to change it to 5 consecutive failures. Which configuration applies the changes for module 1 only?

- A. Nexus(config)# event manager applet custom-PortLoopback override __PortLoopback Nexus(config-applet)# event gold mod all test PortLoopback testing-type bootup consecutive-failure 5 Nexus(config-applet)# action 1 publish-event
- B. Nexus(config)# event manager applet custom-PortLoopback override __PortLoopback Nexus(config-applet)# event gold mod 1 test PortLoopback testing-type monitoring consecutive-failure 5 Nexus(config-applet)# action 1 publish-default
- C. Nexus(config)# event manager applet custom-PortLoopback override __PortLoopback Nexus(config-applet)# event gold mod all test PortLoopback testing-type monitoring consecutive-failure 5 Nexus(config-applet)# action 1 policy-default
- D. Nexus(config)# event manager applet custom-PortLoopback override __PortLoopback Nexus(config-applet)# event gold mod 1 test PortLoopback testing-type bootup consecutive-failure 5 Nexus(config-applet)# action 1 policy-event

Show Suggested Answer



Actual exam question from Cisco's 350-601

Question #: 226

Topic #: 1

[\[All 350-601 Questions\]](#)

```
import time
import cli

date= time.strftime('%Y%m%d')
file=
cli.execute ('copy running-config ftp://10.183.249.182/FusionSW/' +file)
exit()
```

Refer to the exhibit. Which command needs to be added to the line starting with the `file` keyword to have the generated running-config file with the name 'fusion-config_' and current date?

- A. str('fusion-config_') + date
- B. ('fusion-config_') + date
- C. ('fusion-config_ + date')
- D. string(('fusion-config_') + date)

Show Suggested Answer

Actual exam question from Cisco's 350-601

Question #: 227

Topic #: 1

[\[All 350-601 Questions\]](#)

A network engineer must create an EEM script that saves a copy of the running configuration on bootflash and writes a message to syslog when a user saves the configuration to a Cisco Nexus Series switch. Which configuration set should be applied to complete this task?

A.

```
event manager applet local- backup
event cli match "copy running-config startup-config"
action 1 cli copy running-config bootflash:/current_config.txt
action 2 syslog msg Configuration saved and copied to bootflash
```

B.

```
event manager applet local- backup
event cli match "copy running-config startup-config"
action 1 cli copy running-config bootflash:/current_config.txt
action 2 syslog msg Configuration saved and copied to bootflash
action 3 event-default
```

C.

```
event manager applet local- backup
event cli match "write memory"
action 1 cli copy running-config bootflash:/current_config.txt
action 2 snmp-trap strdata "Configuration saved and copied to bootflash"
```

D.

```
event manager applet local- backup
event cli match "write memory"
action 1 cli copy running-config bootflash:/current_config.txt
action 2 syslog msg Configuration saved and copied to bootflash
action 3 event-default
```

Show Suggested Answer

Actual exam question from Cisco's 350-601

Question #: 228

Topic #: 1

[\[All 350-601 Questions\]](#)

DRAG DROP -

An engineer must shut down the Ethernet 1/2 interface when the Ethernet 4/5 interface state is down. Drag and drop the CLI commands from the bottom onto the blanks in the exhibit to implement this EEM. Not all commands are used.

Select and Place:

```
switch# configure terminal

switch(config)# track 1 

switch(config-track)# end

switch(config)# event manager applet track_4_5_down
switch(config-applet)# event track 1 state down
switch(config-applet)# action 1 syslog msg EEM applet
track_4_5_down shutting down port eth1/2 due to eth4/5
being down
switch(config-applet)# action 2 cli conf term

switch(config-applet)# action 3 cli 

switch(config-applet)# action 4 cli 

switch(config-applet)# end
```

no shut

interface ethernet 1/2

interface ethernet 4/5

shut

Show Suggested Answer

Actual exam question from Cisco's 350-601

Question #: 229

Topic #: 1

[\[All 350-601 Questions\]](#)

Which data interchange format is presented in this output?

```
{
  "totalCount": "1",
  "imdata": [
    "fabricNode": {
      "attributes": {
        "address": "10.0.40.65",
        "apicType": "apic",
        "dn": "topology/pod-1/node-201",
        "id": "201",
        "lastStateModTs": "2020-09-07T10:20:57.236+00:00",
        "modTs": "2020-09-07T10:21:18.912+00:00",
        "model": "N9K-C9336PQ",
        "monPolDn": "uni/fabric/monfab-default",
        "role": "spine",
        "serial": "FDO39185372J",
        "uid": "0",
        "vendor": "Cisco Systems, Inc",
      }
    }
  ]
}
```

- A. CSS
- B. YAML
- C. XML
- D. JSON

Show Suggested Answer



Actual exam question from Cisco's 350-601

Question #: 230

Topic #: 1

[\[All 350-601 Questions\]](#)

An engineer requires a solution to automate the configuration and deployment of remote network devices for a customer. The engineer must keep these considerations in mind:

- ⇒ The customer's environment is based on industry-accepted standards and requires a solution that meets these standards.
- ⇒ The security requirements mandate the use of a secure transport mechanism between the automation software and target devices such as SSH or TLS.
- ⇒ The solution must be implemented using a human-readable language and provide the functionality to format data in XML or JSON.

Which solution must be used to meet these requirements?

- A. Ansible
- B. REST API
- C. NETCONF
- D. SNMP

Show Suggested Answer



Actual exam question from Cisco's 350-601

Question #: 231

Topic #: 1

[\[All 350-601 Questions\]](#)

Which data structure results from running this Python code?

```
>>> import json
>>> f = open('fname.json', 'r')
>>> var1 = json.load(f)
>>> var1
{u'bd': u'bd1', u'ap': {u'epgs': [{u'name': u'app'}, {u'name': u'web'}, {u'name':
u'db'}]}, u'name': u'OnlineStore', u'name': u'39185372', u'pvn': u'pvn1'}
```

- A. tuple
- B. dictionary
- C. set
- D. list

Show Suggested Answer



Actual exam question from Cisco's 350-601

Question #: 232

Topic #: 1

[\[All 350-601 Questions\]](#)

```
import time
import cli

date= time.strftime('%Y%m%d')
file= ('fusion-config_') + date
cli.execute ('copy running-config ftp://10.183.249.182/FusionSW/' + file)
exit()
```

Refer to the exhibit. What is the result of executing this Python code?

- A. It sends the switch configuration to Cisco TAC
- B. It sends a Cisco device backup to a remote destination
- C. It schedules a backup on a Cisco switch using EEM
- D. It backs up Cisco switches to Cisco Prime Infrastructure

Show Suggested Answer

Actual exam question from Cisco's 350-601

Question #: 233

Topic #: 1

[\[All 350-601 Questions\]](#)

An engineer must use the Embedded Event Manager to monitor events that occur on a Cisco Nexus 9000 Series Switch. An environment variable needs to be created so that several policies use the monitored events in their actions. The external email server is represented by IP address 10.10.10.10. Which command sets the environment variable?

- A. n9k2# event manager environment mailserv "10.10.10.10"
- B. n9k2(config)# event manager environment mailserv "10.10.10.10"
- C. n9k2(config-applet)# environment mailserv "10.10.10.10"
- D. n9k2(config)# event manager policy environment mailserv "10.10.10.10"

Show Suggested Answer





Actual exam question from Cisco's 350-601

Question #: 234

Topic #: 1

[\[All 350-601 Questions\]](#)

An engineer is using REST API calls to configure the Cisco APIC. Which data structure must be used within a POST message to receive a login token?

- A. {"aaaUser":{"attributes":{"name":"apiuser","pwd":"cisco123"}}}
- B. <aaaUser><name="apiuser"/><pwd="cisco123"/></aaaUser>
- C. {aaaUser:{attributes:{name:apiuser,pwd:cisco123}}}
- D. <aaaUser><name>apiuser</name><pwd>cisco123</pwd></aaaUser>

Show Suggested Answer





Actual exam question from Cisco's 350-601

Question #: 235

Topic #: 1

[\[All 350-601 Questions\]](#)

An engineer evaluates a UI-based infrastructure management system capable of monitoring and deploying standalone VXLAN BGP EVPN deployments. The storage administrators also need the solution to manage the Cisco MDS 9000 Series Switches. Which solution meets these requirements?

- A. Cisco DCNM
- B. Cisco Tetration
- C. Cisco UCS Director
- D. Cisco Intersight

[Show Suggested Answer](#)





Actual exam question from Cisco's 350-601

Question #: 236

Topic #: 1

[\[All 350-601 Questions\]](#)

An engineer must implement an automation solution to allow the backup of the configuration of Cisco Nexus Series Switches to a centralized location. The solution must:

- * support the team-developed custom monitoring scripts that are packaged using RPM packaging that the framework must support.
- * be decoupled from the underlying Cisco Nexus operating system.
- * have no impact on the operating system of the underlying switch if the resource contention occurs.
- * use Python to expand the existing automation framework.

Which solution meets these requirements?

- A. Guest Shell
- B. Vegas Shell
- C. Bash Shell
- D. TCL Shell

Show Suggested Answer





Actual exam question from Cisco's 350-601

Question #: 237

Topic #: 1

[\[All 350-601 Questions\]](#)

A company is investigating different options for IT automation tools. The IT team has experience with Python programming language and scripting using a declarative language. The proposed tool should be easy to set up and should not require installing an agent on target devices. The team will also need to build custom modules based on the Python programming language to extend the tool's functionality. Which automation tool should be used to meet these requirements?

- A. Ansible
- B. Chef
- C. Puppet
- D. NX-API

Show Suggested Answer



Actual exam question from Cisco's 350-601

Question #: 238

Topic #: 1

[\[All 350-601 Questions\]](#)

An administrator is implementing DCNM so that events are triggered when monitored traffic exceeds the configured percent utilization threshold. The requirement is to configure a maximum limit of 39913690 bytes that applies directly to the statistics collected as a ratio of the total link capacity. Which DCNM performance monitoring configuration parameter must be implemented to achieve this result?

- A. Absolute Values
- B. Baseline
- C. Util%
- D. Per Port Monitoring

Show Suggested Answer



Actual exam question from Cisco's 350-601

Question #: 239

Topic #: 1

[\[All 350-601 Questions\]](#)

An engineer must design an automation solution for the Cisco ACI Fabric to speed up the deployment of logical network elements for tenant provisioning. When creating a solution, the engineer must keep in mind that the tool must support these requirements:

- * Allow the rapid creation and removal of logical containers.
- * Support the creation of custom modules and data structures.
- * Be extensible with external libraries and modules.
- * Allow rapid testing of code using an on-demand execution environment.

Which automation tool meets these requirements?

- A. SaltStack
- B. YAML
- C. Chef
- D. Python

Show Suggested Answer



Actual exam question from Cisco's 350-601

Question #: 240

Topic #: 1

[\[All 350-601 Questions\]](#)

DRAG DROP -

Drag and drop the keywords onto the URL request to collect all the subnets configured under tenant Production using a REST API. Not all options are used.

Select and Place:

`https://{{apic_ip}}/api/` `/uni/tn-Production.json?`

`=` `&`

`= fvSubnet`

Show Suggested Answer



Actual exam question from Cisco's 350-601

Question #: 241

Topic #: 1

[\[All 350-601 Questions\]](#)

An engineer must create an EPG called "Test". The configuration request should succeed if the Tenant called "Tenant" and the application profile called "Test" exist. The firewall policy allows only the HTTP connectivity to APIC from the user's computer. Which action accomplishes this goal?

- A. Send `<fvAEPg dn="uni//tn-Tenant//epg-Test//ap-Test" status="created"/>` to APIC payload using HTTP PUT to the Cisco APIC.
- B. Send `<fvAEPg dn="uni/tn-Tenant/ap-Test/epg-Test" status="created"/>` to APIC payload using HTTP POST to the Cisco APIC.
- C. Send `<fvAEPg dn="uni/tn-Test/ap-Test/epg-Tenant" status="created"/>` to APIC payload using HTTP POST to the Cisco APIC.
- D. Send `<fvAEPg dn="uni/tn-Test//ap-Test//epg-Tenant" status="created"/>` to APIC payload using HTTP PUT to the Cisco APIC.

Show Suggested Answer



Actual exam question from Cisco's 350-601

Question #: 242

Topic #: 1

[\[All 350-601 Questions\]](#)

```
event manager applet ConfigMgmt
  event cli match "copy run start"
  action 1 syslog priority warnings msg Configuration Modified
```

Refer to the exhibit. An engineer logs all occurrences of a configuration being saved. The engineer must generate an additional log message when someone attempts to change the configuration for interface Ethernet 1/1. Which set of commands must be used to meet these requirements?

A.

```
event manager applet ConfigMgmt
  event cli tag eth match "interface Ethernet1/1"
  event cli tag copy match "copy run start"
  event cli tag conf match "configure terminal"
  tag conf and eth or copy happens 1 in 4294967295
  action 1 syslog priority warnings msg Configuration Modified
```

B.

```
event manager applet ConfigMgmt
  event cli tag eth match "interface Ethernet1/1"
  event cli tag copy match "copy run start"
  event cli tag conf match "configure terminal"
  tag conf or eth or copy happens 2 in 3
  action 1 syslog priority warnings msg Configuration Modified
  action 2 event-default
```

C.

```
event manager applet ConfigMgmt
  event cli tag eth match "configure terminal ; interface Ethernet1/1"
  event cli tag copy match "copy run start"
  tag eth or copy happens 1 in 2
  action 1 syslog priority warnings msg Configuration Modified
  action 2 event-default
```

D.

```
event manager applet ConfigMgmt
  event cli tag eth match "configure terminal ; interface Ethernet1/1"
  event cli tag copy match "copy run start"
  tag eth and copy happens 1 in 2
  action 1 syslog priority warnings msg Configuration Modified
```

Show Suggested Answer





Actual exam question from Cisco's 350-601

Question #: 243

Topic #: 1

[\[All 350-601 Questions\]](#)

Which two methods are available to manage an ACI REST API session authentication when a user is unauthenticated? (Choose two.)

- A. POST to aaaUserLogin
- B. GET to aaaListDomains
- C. GET aaaRefresh
- D. DELETE to aaaLogout
- E. POST to aaaLogin

Show Suggested Answer



Actual exam question from Cisco's 350-601

Question #: 244

Topic #: 1

[\[All 350-601 Questions\]](#)

DRAG DROP -

A network administrator must automate the process of pinging all the IP addresses from the 10.0.0.0/8 subnet. The subnet is already present on the ARP table of the Cisco Nexus switch. Drag and drop the bash commands to generate the desired output. Not all commands are used.

Select and Place:

Answer Area

bash-4.3\$

|grep "^10\."|

|

|

```
--- 10.1.0.2 ping statistics ---
```

```
5 packets transmitted, 5 packets received, 0.00% packet loss
```

```
--- 10.1.0.77 ping statistics ---
```

```
5 packets transmitted, 0 packets received, 100.00% packet loss
```

awk '{print "ping" \$1}'

grep -v "statistics|loss"

show ip arp

vsh -c "show ip arp"

egrep "statistics|loss"

sed -e 's/ping /10.*/g'

vsh

Show Suggested Answer





Actual exam question from Cisco's 350-601

Question #: 245

Topic #: 1

[\[All 350-601 Questions\]](#)

A customer asks an engineer to develop a framework that will be used to replace the process of the manual device configuration of Cisco NX-OS devices. The engineer plans to use the programmatic interface that meets these requirements:

- ⇒ The development team is familiar with Windows-based scripting environment using PowerShell.
- ⇒ The customer's security requirements mandate the use of HTTPS transport.

Which solution must be used to meet these requirements?

- A. NETCONF-YANG
- B. NX-API
- C. VISORE
- D. Open Agent Container

Show Suggested Answer



Actual exam question from Cisco's 350-601

Question #: 246

Topic #: 1

[\[All 350-601 Questions\]](#)

```
#!/bin/env python
from cli import *
[REDACTED]
x= cli('show running-config | include address')
y= x.find('192.168.101.191/25')
z= x.find('192.168.101.192/25')
if y != -1:
    cli ('copy tftp://192.168.101.253/initdev1.cfg bootflash: vrf management')
    cli ('copy bootflash:initdev1.cfg scheduled-config')
if z != -1:
    cli ('copy tftp://192.168.101.253/initdev2.cfg bootflash: vrf management')
    cli ('copy bootflash:initdev2.cfg scheduled-config')
cli ('copy running-config startup-config')
```

Refer to the exhibit. Which information must be added to the script to complete the POAP operation on the Cisco Nexus 9000 Series Switch?

- A. MD5SUM d41d8cd98f00b20449800998ecf8427e of the script file.
- B. MD5SUM d41d8cd98f00b204e9800998ecf8427e of the Python code.
- C. API token d41d8cd98f00b77986331998ecf8427e of the Cisco Nexus 9000 Series Switch.
- D. API token d41d8cd98f00b41051968198ecf8427e of the Cisco APIC.

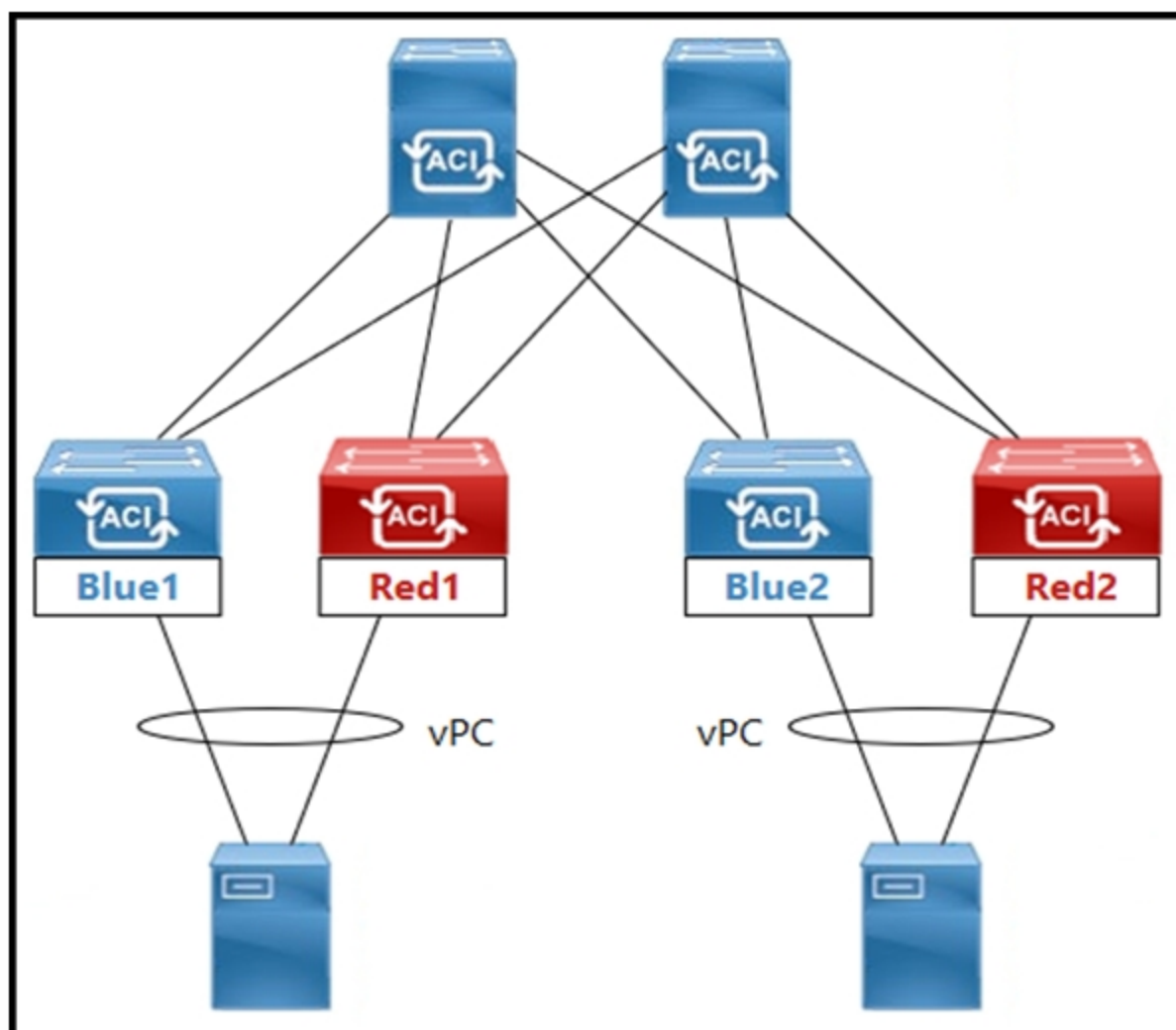
Show Suggested Answer

Actual exam question from Cisco's 350-601

Question #: 247

Topic #: 1

[\[All 350-601 Questions\]](#)



Refer to the exhibit. An engineer must schedule the firmware upgrade of the Red1 and Red2 leaf switches. The requirement is to keep the upgrade time to the minimum, avoid any service impact, and perform the parallel upgrade. Which set of scheduler attributes must be used to meet these requirements?

A.

⇒ Configure SchedulerPolicy1 for leaf switches Blue1 and Red1, and SchedulerPolicy2 for leaf switches Blue2 and Red2.

Configure SchedulerPolicy1 and SchedulerPolicy2 with a one-time window trigger that has maximum concurrent nodes 1.

•

B.

⇒ Configure SchedulerPolicy1 for leaf switches Blue1 and Red1, and SchedulerPolicy2 for leaf switches Blue2 and Red2.

⇒ Configure SchedulerPolicy1 and SchedulerPolicy2 with a one-time window trigger that has maximum concurrent nodes 2.

C.

⇒ Configure SchedulerPolicy1 for all four leaf switches Blue1, Blue2, Red1, and Red2.

⇒ Configure SchedulerPolicy1 and SchedulerPolicy2 with a one-time window trigger that has maximum concurrent nodes 1.

D.

⇒ Configure SchedulerPolicy1 for all four leaf switches Blue1, Blue2, Red1, and Red2.

⇒ Configure SchedulerPolicy1 and SchedulerPolicy2 with a one-time window trigger that has maximum concurrent nodes 2.

Show Suggested Answer



Actual exam question from Cisco's 350-601

Question #: 248

Topic #: 1

[\[All 350-601 Questions\]](#)

```
N7Switch# sh run | section callhome
callhome
  email-contact admin@acme.com
  phone-contact +1-800-123-4567
  streetaddress 111 Somestreet st. Sometown, Somewhere
  destination-profile full_txt email-addr netadmin@acme.com
  transport email smtp-server 192.168.1.25 port 25
  transport email from N7Switch@acme.com
enable
  alert-group Inventory user-def-cmd show logging last 100
N7Switch#
```

Refer to the exhibit. A network engineer is configuring the Smart Call Home feature on a Cisco Nexus Series Switch. An email must be generated that contains the last 100 lines of the log every time a new piece of hardware is inserted into the chassis. Which command must be added to the configuration to receive the email?

- A. destination-profile Operations alert-group Inventory
- B. destination-profile Operations message-level 2
- C. alert-group Linecard-Hardware user-def-cmd show logging last 100
- D. alert-group Operations user-def-cmd show logging last 100

Show Suggested Answer



Actual exam question from Cisco's 350-601

Question #: 249

Topic #: 1

[\[All 350-601 Questions\]](#)

What is a feature of NFS?

- A. zone-based access control
- B. Kerberos-based security model
- C. block-based file access
- D. role-based access control

Show Suggested Answer





Actual exam question from Cisco's 350-601

Question #: 250

Topic #: 1

[\[All 350-601 Questions\]](#)

Port security is enabled on a Cisco MDS 9000 Series Switch.

Which statement is true?

- A. Port security can be enabled only globally and affects all VSANs.
- B. Any devices currently logged in must be added manually to the device database.
- C. Auto-learning is always enabled automatically when port security is enabled.
- D. Cisco Fabric Services must be disabled before enabling port security.

[Show Suggested Answer](#)





Actual exam question from Cisco's 350-601

Question #: 251

Topic #: 1

[\[All 350-601 Questions\]](#)

When a strict CoPP policy is implemented, which statement describes an event during which packets are dropped?

- A. A large system image is copied to a switch by using the default VRF.
- B. Fifteen SSH sessions remain connected to the switch.
- C. A ping sweep is performed on a network that is connected through a switch.
- D. A web server that is connected to a switch is affected by a DDoS attack.

Show Suggested Answer



Actual exam question from Cisco's 350-601

Question #: 252

Topic #: 1

[\[All 350-601 Questions\]](#)

A host in EPG Client wants to talk to a webserver in EPG Web. A contract with default settings is defined between EPG Client and EPG Web, which allows TCP communication initiated by the client toward the webserver with TCP destination port 80.

Which statement describes this scenario?

- A. If EPG Web is made a preferred group member, a contract between EPG Client and EPG Web is no longer required for the host in EPG Client to reach the webserver in EPG Web.
- B. If vzAny is configured to consume and provide a "deny all" contract, traffic between EPG Client and EPG Web is no longer allowed.
- C. The host in EPG Client is allowed to connect to TCP destination port 80 on the webserver in EPG Web. The webserver will not be allowed to initiate a separate TCP connection to a host port with TCP source port 80.
- D. The host in EPG Client is allowed to connect to TCP destination port 80 on the webserver in EPG Web. The webserver is allowed to initiate a separate TCP connection to a host port with TCP source port 80.

Show Suggested Answer





Actual exam question from Cisco's 350-601

Question #: 253

Topic #: 1

[\[All 350-601 Questions\]](#)

An engineer is running an ACI fabric, has VMM integration with VMware vCenter, and wants to enable microsegmentation based on vCenter VM attributes. Which statement describes microsegmentation in this scenario?

- A. ACI does not support microsegmentation based on vCenter VM attributes. The network attributes should be used for microsegmentation.
- B. When enabled, microsegmentation performs distributed switching and routing on the ESXi hosts.
- C. Microsegmentation is supported only using AVE or AVS.
- D. An ACI microsegmented EPG automatically creates a port group with a private VLAN configured on a VMware vCenter distributed virtual switch.

Show Suggested Answer



Actual exam question from Cisco's 350-601

Question #: 254

Topic #: 1

[\[All 350-601 Questions\]](#)

DRAG DROP -

Drag and drop the technologies from the left onto the correct descriptions on the right.

Select and Place:

NFSv2

uses client machine authentication

Kerberos

uses users authentication

NFSv4

authenticates clients and servers in NFSv4

RADIUS

authenticates clients to corporate
directory systems

Show Suggested Answer





Actual exam question from Cisco's 350-601

Question #: 255

Topic #: 1

[\[All 350-601 Questions\]](#)

Which two authentication types does Cisco UCS Manager support when configuring authentication? (Choose two.)

- A. PAM
- B. local
- C. 802.1X
- D. Kerberos
- E. LDAP

Show Suggested Answer



Actual exam question from Cisco's 350-601

Question #: 256

Topic #: 1

[\[All 350-601 Questions\]](#)

Refer to the exhibit.

```
NEXUS (config)# feature tacacs+
NEXUS (config)# tacacs-server timeout 5
NEXUS (config)# tacacs-server directed-request
NEXUS (config)# tacacs-server deadtime 0
NEXUS (config)# tacacs server host 10.1.50.20 port 49
NEXUS (config)# tacacs-server host 10.1.50.20 key 7 "Flwhg123" timeout 1
NEXUS (config)# aaa group server tacacs+ ISE
NEXUS (config-tacacs+)# server 10.1.50.20
NEXUS (config-tacacs+)# deadtime 10
NEXUS (config-tacacs+)# use-vrf management
NEXUS (config-tacacs+)# source-interface mgmt 0
NEXUS (config)# aaa authentication login default group ISE
```

What is the result of implementing this configuration?

- A. The switch queries the TACACS+ server by using an encrypted text PAP login.
- B. The TACACS+ server uses the type-6 encrypted format.
- C. The switch queries the TACACS+ server by using a clear text PAP login.
- D. The timeout value on the TACACS+ server is 10 seconds.

Show Suggested Answer

Actual exam question from Cisco's 350-601

Question #: 257

Topic #: 1

[\[All 350-601 Questions\]](#)

Refer to the exhibit.

The screenshot shows the Cisco User Services configuration page. The breadcrumb navigation is >> All > User Management > User Services. The page title is "User Services". There are several tabs: "Locales", "Roles", "Locally Authenticated Users", "Remotely Authenticated Users", "Sessions", "CIMC Sessions", "Banners", "Events", and "FSM". The "Locally Authenticated Users" tab is selected. Under "Properties", the "Password Strength Check" is checked. Under "Password Profile", the "Change Interval" is set to 48, "History Count" is 5, "No Change Interval" is 24, and "Change Count" is 2. The "Change During Interval" is set to "Enable". Below the configuration fields is a table with a "Name" column. The table contains two entries: "admin" and "test". The "test" entry is highlighted. At the bottom right of the configuration area are "Save Changes" and "Reset Values" buttons.

Name
admin
test

Which setting must be configured to prevent the reuse of passwords?

- A. Change Interval
- B. No Change Interval
- C. History Count
- D. Change Count

Show Suggested Answer



Actual exam question from Cisco's 350-601

Question #: 258

Topic #: 1

[\[All 350-601 Questions\]](#)

Port security is statically configured on a Cisco Nexus 7700 Series switch and F3 line card. The switch is configured with an Advanced Services license. Which two actions delete secured MAC addresses from the interface? (Choose two.)

- A. The address must be removed from the configuration.
- B. Shutdown and then no shutdown must be run on the interface.
- C. The device must be restarted manually.
- D. The address must reach the age limit that is configured for the interface.
- E. The interface must be converted to a routed port.

Show Suggested Answer





Actual exam question from Cisco's 350-601

Question #: 259

Topic #: 1

[\[All 350-601 Questions\]](#)

An engineer is configuring AAA authentication on a Cisco MDS 9000 Series switch. The LDAP server is located under the IP 10.10.2.2. The data sent to the LDAP server should be encrypted. Which command should be used to meet these requirements?

- A. `ldap-server 10.10.2.2 port 443`
- B. `ldap-server 10.10.2.2 key SSL_KEY`
- C. `ldap-server host 10.10.2.2 key SSL_KEY`
- D. `ldap-server host 10.10.2.2 enable-ssl`

Show Suggested Answer



Actual exam question from Cisco's 350-601

Question #: 260

Topic #: 1

[\[All 350-601 Questions\]](#)

```
NEXUS(config)# radius-server timeout 15
NEXUS(config)# ip radius source-interface Vlan100
NEXUS(config)# radius-server host 10.1.50.31 key 7 "Fewhg1234"
authentication accounting
NEXUS(config)# aaa group server radius RADIUS
NEXUS(config-radius)# server 10.1.50.31
NEXUS(config-radius)# deadtime 10
NEXUS(config-radius)# use-vrf management
NEXUS(config-radius)# source-interface mgmt 0
NEXUS(config)# aaa authentication login default group RADIUS
```

Refer to the exhibit. What is the result of implementing the configuration?

- A. The RADIUS server timeout value is 15 milliseconds.
- B. RADIUS traffic is sourced from the VLAN 200 interface.
- C. Users specify the RADIUS server when they log in.
- D. Only the RADIUS server is used for authentication.

Show Suggested Answer

Actual exam question from Cisco's 350-601

Question #: 261

Topic #: 1

[\[All 350-601 Questions\]](#)

```
switch (config) # feature dhcp
switch (config) # ip dhcp snooping
switch (config) # service dhcp
switch (config) # ip dhcp snooping vlan 100,200,250-252
switch (config) # ip dhcp relay information option
```

Refer to the exhibit. Which action is taken to ensure that the relay agent forwards the DHCP BOOTREQUEST packet to a DHCP server?

- A. Configure the IP address of the DHCP server.
- B. Verify the DHCP snooping bindings.
- C. Configure the interface of the DHCP server as untrusted.
- D. Enable the DHCP relay agent.

Show Suggested Answer

Actual exam question from Cisco's 350-601

Question #: 262

Topic #: 1

[\[All 350-601 Questions\]](#)

```
switch# show radius-server
Global RADIUS shared secret:*****
retransmission count:5
timeout value:10
following RADIUS servers are configured:
  myradius.cisco.users.com:
    available for authentication on port:1812
    available for accounting on port:1813
  172.22.91.37:
    available for authentication on port:1812
    available for accounting on port:1813
    RADIUS shared secret:*****
  10.10.0.0:
    available for authentication on port:1812
    available for accounting on port:1813
    RADIUS shared secret:*****

switch# show radius-server groups
total number of groups:4
following RADIUS server groups are configured:
  group radius:
    server: all configured radius servers
  group Group1:
    server: Server3 on auth-port 1812, acct-port 1813
    server: Server5 on auth-port 1812, acct-port 1813
  group Group5:
```

Refer to the exhibit. A network engineer requires remote access via SSH to a Cisco MDS 9000 Series Switch. The solution must support secure access using the local user database when the RADIUS servers are unreachable from the switches. Which command meets these requirements?

- A. aaa authentication none
- B. aaa authentication login default group radius
- C. aaa authentication login default fallback error local
- D. aaa authentication login default group local

Show Suggested Answer



Actual exam question from Cisco's 350-601

Question #: 263

Topic #: 1

[\[All 350-601 Questions\]](#)

A network administrator must configure an extra keyring in Cisco UCS Manager. The key must provide a high level of encryption and secure authentication when users use the web interface. Which configuration command set must be applied to meet these requirements?

A.

```
set https keyring kring7984
set https cipher-suite-mode high
set https tls-protocol tls1-2
commit-buffer
```

B.

```
set https keyring kring7984
set https cipher-suite-mode high
set https ssl-protocol tls1-2
commit-buffer
```

C.

```
set https keyring kring7984
set https cipher-suite-mode secure
set https ssl-protocol tls1-2
commit-buffer
```

D.

```
set https keyring kring7984
set https cipher-suite-mode secure
set https tls-protocol tls1-2
commit-buffer
```

Show Suggested Answer



Actual exam question from Cisco's 350-601

Question #: 264

Topic #: 1

[\[All 350-601 Questions\]](#)

An engineer must configure HTTPS secure management for Cisco UCS Manager using a key ring named kr2016 and a key size of 1024 bits. The environment consists of a primary fabric interconnect named UCS-A and a secondary fabric interconnect named UCS-B. Which command sequence must be used to accomplish this goal?

A.

```
UCS-B# scope security
UCS-B /security # keyring kr2016
UCS-B /security/keyring* # set mod mod1024
UCS-A /security/keyring* # commit-buffer
```

B.

```
UCS-A# scope security
UCS-A /security # create keyring kr2016
UCS-A /security/keyring* # set modulus mod1024
UCS-A /security/keyring* # commit-buffer
```

C.

```
UCS-A# scope security
UCS-A /security # keyring name kr2016
UCS-A /security/keyring* # set size 1024
UCS-A /security/keyring* # commit-buffer
```

D.

```
UCS-B# scope security
UCS-B /security # create keyring kr2016
UCS-B /security/keyring* # set size mod1024
UCS-A /security/keyring* # commit-buffer
```

Show Suggested Answer



Actual exam question from Cisco's 350-601

Question #: 265

Topic #: 1

[\[All 350-601 Questions\]](#)

A network engineer needs to configure system logging on the Cisco MDS Series switch. The messages must be displayed with the severity level of `warning` and above. For security reasons, the users must be logged out of the console after 5 minutes of inactivity. Which configuration must be applied to meet these requirements?

- A. MDS-A(config)# logging console 5 MDS-A(config-console)# exec-timeout 300
- B. MDS-A(config)# line console MDS-A(config-console)# speed 38400 MDS-A(config-console)# exec-timeout 5 MDS-A(config)# logging console 4
- C. MDS-A(config)# logging line 4 MDS-A(config-console)# session-limit 300
- D. MDS-A(config)# console MDS-A(config-console)# speed 38400 MDS-A(config-console)# session-limit 5 MDS-A(config)# logging console 5

Show Suggested Answer





Actual exam question from Cisco's 350-601

Question #: 266

Topic #: 1

[\[All 350-601 Questions\]](#)

A network administrator must perform a system upgrade on a Cisco MDS 9000 Series Switch. Due to the recent changes by the security team:

- * The AAA server is unreachable.
- * All TCP communication between the MDS 9000 Series Switch and AAA servers is disabled.

Which actions must be used to perform the upgrade?

- A. Log in locally to the MDS 9000 Series Switch using a network-admin role and download the upgrade files from the remote TFTP server.
- B. Log in locally to the MDS 9000 Series Switch using a server-admin role and download the upgrade files from the remote FTP server.
- C. Log in to a server storing the upgrade files remotely using a server-admin role and download the files to the MDS 9000 Series Switch using SFTP.
- D. Log in to a server storing the upgrade files remotely using a network-admin role and download the files to the MDS 9000 Series Switch using HTTP.

Show Suggested Answer



Actual exam question from Cisco's 350-601

Question #: 267

Topic #: 1

[\[All 350-601 Questions\]](#)

A network engineer must enable port security on all Cisco MDS Series Switches in the fabric. The requirement is to avoid the extensive manual configuration of the switch ports. Which action must be taken to meet these requirements?

- A. Enable the auto-learning port security feature.
- B. Enable the auto-learning port security feature on a per-VSAN basis.
- C. Activate CFS distribution and the auto-learning port security feature.
- D. Activate CFS distribution and the auto-learning port security feature on a per-VSAN basis.

Show Suggested Answer



Actual exam question from Cisco's 350-601

Question #: 268

Topic #: 1

[\[All 350-601 Questions\]](#)

An engineer must configure the HSRP protocol between two Cisco Nexus 9000 Series Switches. This configuration is present on Nexus A.

```
! Nexus A
```

```
key chain NHRP-KEYS
```

```
key 1010
```

```
key-string 7 072a43795c1d0c4057265303163b3e2121a720361a021e11
```

```
accept-lifetime 00:00:00 Jan 01 2021 23:59:59 Aug 31 2021
```

```
send-lifetime 00:00:00 Jan 01 2021 23:59:59 Jul 31 2021
```

```
key 1020
```

```
key-string 7 086f43cd5c150c1702630203163b3e2221a520261a011a12
```

```
accept-lifetime 00:00:00 Jul 01 2021 23:59:59 Dec 31 2021
```

```
send-lifetime 00:00:00 Jul 01 2021 23:59:59 Dec 31 2021
```

```
interface ethernet 1/1
```

```
ip 209.165.200.226/27
```

```
hsrp 200
```

```
priority 201
```

```
ip 209.165.200.225
```

```
-- missing output --
```

```
no shutdown
```

The final HSRP configuration must meet these requirements:

* The HSRP communication must be secured on both switches.

* Both switches must support more than 300 groups.

Which two commands must be added to the HSRP configuration on Nexus A to complete these requirements? (Choose two.)

A. authentication text 1020

B. hsrp version 1

C. authenticate md5 key-chain NHRP-KEYS

D. hsrp version 2

E. authentication text 1010

Show Suggested Answer





Actual exam question from Cisco's 350-601

Question #: 269

Topic #: 1

[\[All 350-601 Questions\]](#)

An engineer must implement Strict Unicast Reverse Path Forwarding mode for IPv4 packets on the Ethernret1/1 interface on the Cisco Nexus 9500 Series Switch. Which configuration achieves this goal?

- A. interlace Ethernet1/1 ip address 172.16.10.1/24 ip verify unicast source reachable-via rx
- B. interface Ethernet1/1 ip address 172.16.10.1/24 ip verify unicast source any
- C. interface Ethernet1/1 ip address 172.16.10.1/24 ip verify unicast source reachable-via any
- D. interface Ethernet1/1 ip address 172.16.10.1/24 ip verify unicast source rx

Show Suggested Answer





Actual exam question from Cisco's 350-601

Question #: 270

Topic #: 1

[\[All 350-601 Questions\]](#)

A network engineer is configuring the Cisco UCS service profile template with Ansible using this code: hostname: 192.168.10.23 username: cisco password: f718c4329405726531f6247ff982 name: DCE-CTRL template_type: updating-template uuid_pool: UUID-POOL storage_pronte: DCE-StgProf maintenance_policy: default server_pool: Container-Pool host_firmware_package: 4.1(1a) bios_policy: Docker

Which attribute must be used to apply the iSCSI initiator identifiers to all iSCSI vNICs for the service profiles derived from the service template?

- A. san_connectivity_policy
- B. lan_connectivity_policy
- C. boot_policy
- D. iqn_pool

Show Suggested Answer



Actual exam question from Cisco's 350-601

Question #: 271

Topic #: 1

[\[All 350-601 Questions\]](#)

DRAG DROP -

A network engineer must implement RBAC on Cisco MDS 9000 Series Multilayer Switches.

Drag and drop the Cisco MDS 9000 Series roles from the left onto the categories they belong to on the right.

Select and Place:

san-operator

global-admin

server-admin

storage-admin

network-admin

network-operator

System Defined

User Defined

Show Suggested Answer



Actual exam question from Cisco's 350-601

Question #: 272

Topic #: 1

[\[All 350-601 Questions\]](#)

An engineer must configure RBAC in Cisco UCS Manager in an existing data center environment.

Which two roles are suitable for configuring LAN connectivity policies? (Choose two.)

- A. server-profile
- B. network-admin
- C. operations
- D. enable
- E. admin

Show Suggested Answer





Actual exam question from Cisco's 350-601

Question #: 273

Topic #: 1

[\[All 350-601 Questions\]](#)

An engineer is enabling port security on a Cisco MDS 9000 Series Switch.

Which feature of enabling port security on a Cisco MDS 9000 Series Switch must be considered?

- A. It is distributed by using Cisco Fabric Services.
- B. It authorizes only the configured sWWN to participate in the fabric.
- C. It always learns about switches that are logging in.
- D. It binds the fabric at the switch level.

[Show Suggested Answer](#)



Actual exam question from Cisco's 350-601

Question #: 274

Topic #: 1

[\[All 350-601 Questions\]](#)

DRAG DROP -

An engineer is implementing security on the Cisco MDS 9000 switch.

Drag and drop the descriptions from the left onto the correct security features on the right.

Select and Place:

can be distributed via fabric services

uses the Exchange Fabric Membership Data protocol

allows a preconfigured set of Fibre Channel devices to logically connect to SAN ports

prevent unauthorized switches from joining the fabric or disrupting current fabric operations

Fabric Binding

Target 1

Target 2

Port Security

Target 3

Target 4

Show Suggested Answer



Actual exam question from Cisco's 350-601

Question #: 275

Topic #: 1

[\[All 350-601 Questions\]](#)

An engineer has a primary fabric that is named UCS-A and a secondary fabric that is named UCS-B. A certificate request that has a subject name of sjc2016 for a keyring that is named kr2016 needs to be created. The cluster IP address is 10.68.68.68.

Which command set creates this certificate request?

- A. UCS-A # scope keyring kr2016 UCS-A /keyring # create certreq 10.68.68.68 sjc2016 UCS-A /keyring* # commit-buffer
- B. UCS-B # scope keyring kr2016 UCS-B /keyring # create certreq ip 10.68.68.68 subject-name sjc2016 UCS-B /keyring* # commit-both
- C. UCS-B# scope security UCS-B /security # scope keyring kr2016 UCS-B /security/keyring # set certreq 10.68.68.68 sjc2016 UCS-B /security/keyring* # commit-both
- D. UCS-A# scope security UCS-A /security # scope keyring kr2016 UCS-A /security/keyring # create certreq ip 10.68.68.68 subject-name sjc2016 UCS-A /security/keyring* # commit-buffer

Show Suggested Answer





Actual exam question from Cisco's 350-601

Question #: 276

Topic #: 1

[\[All 350-601 Questions\]](#)

A company provides applications and database hosting services to multiple customers using isolated infrastructure-as-a-service services within the same data center environment. The environment is based on Cisco MDS 9000 Series Switches. The requirement is to manage the environment by using Fibre Channel Security Protocol and to enable user authentication when the centralized AAA server is unreachable. All communication between the MDS switches and the remote servers must be encrypted. Which command set must be used to meet these requirements?

- A. `aaa group server radius RadiusServer1` `aaa authentication login default RadiusServer1`
- B. `aaa group server tacacs+ TacacsServer1` `aaa authentication dhchap default group TacacsServer1`
- C. `aaa group server radius RadiusServer1` `aaa authentication dhchap default group RadiusServer1`
- D. `aaa group server tacacs+ TacacsServer1` `aaa authentication login console TacacsServer1`

Show Suggested Answer





Actual exam question from Cisco's 350-601

Question #: 277

Topic #: 1

[\[All 350-601 Questions\]](#)

A customer undergoes an IT security review assessment. The auditor must have read-only access to the Cisco Nexus 9000 Series Switch to perform the configuration review. The customer implements this security role for the auditor: role name audit rule 1 permit command * rule 2 - Output omitted -- username auditor password C4SAFF1B05EB1968\$0 role audit

Which configuration snippet must complete the configuration?

- A. deny command configure terminal
- B. deny command write *
- C. permit command show *
- D. permit command enable

Show Suggested Answer



Actual exam question from Cisco's 350-601

Question #: 278

Topic #: 1

[\[All 350-601 Questions\]](#)

An engineer must implement a solution that prevents untrusted DHCP servers from compromising the network. The feature must be configured on a Cisco Nexus 7000 Series Switch and applied to VLAN 10. The legitimate DHCP servers are connected to interface Ethernet 2/4. Which configuration set must be used to meet these requirements?

- A. n7k-1(config)# ip dhcp snooping vlan 10 n7k-1(config)# interface Ethernet2/4 n7k-1(config-if)# ip dhcp snooping verify vlan 10
- B. n7k-1(config)# ip dhcp snooping verify n7k-1(config)# interface Ethernet2/4 n7k-1(config-if)# ip dhcp snooping verify vlan 10
- C. n7k-1(config)# ip dhcp snooping vlan 10 n7k-1(config)# interface Ethernet2/4 n7k-1(config-if)# ip dhcp snooping trust
- D. n7k-1(config)# ip dhcp snooping verify n7k-1(config)# vlan configuration 10 n7k-1(config-vlan)# ip dhcp snooping trust

Show Suggested Answer





Actual exam question from Cisco's 350-601

Question #: 279

Topic #: 1

[\[All 350-601 Questions\]](#)

An engineer implements a Cisco UCS C-Series Server that must adhere to these security requirements:

- ⇒ Unencrypted communication must be disabled.
- ⇒ The session timeout must not exceed 15 minutes.
- ⇒ Unencrypted traffic must be automatically diverted.
- ⇒ CLI-based management must use nondefault ports.

Which configuration set meets these requirements?

- A. SSH Enabled SSH Port: 8022 SSH Timeout: 1200 IPMI over LAN Enabled
- B. HTTP Port: 80 / HTTPS Port: 443 Session Timeout: 900 Redirect HTTP to HTTPS Enabled SSH Port: 2022
- C. Redfish Enabled checked Redfish Port: 443 SSH Enabled checked HTTPS Port: 8443
- D. XML API Enabled HTTP Port: 8080 / HTTPS Port: 8443 IPMI over LAN Enabled Randomized Encryption Key

Show Suggested Answer





Actual exam question from Cisco's 350-601

Question #: 280

Topic #: 1

[\[All 350-601 Questions\]](#)

An engineer must apply AAA configuration on a Cisco MDS 9000 Series Switch. The solution must meet these conditions:

- ⇒ It must use a challenge-response authentication protocol that uses MD5 hashing with an incrementally changing identifier.
- ⇒ The RADIUS configuration must be automatically shared with other MDS switches in the environment.

The RADIUS server is already defined. Which command set completes the configuration?

- A. `aaa authentication login chap enable radius distribute radius commit`
- B. `aaa authentication login pap enable distribute radius radius-server host 10.8.8.0 auth-port 1821`
- C. `aaa authentication login mschapv2 enable radius propagate radius authentication port 1821`
- D. `aaa authentication login mschap enable radius commit radius-server host 10.8.8.0`

Show Suggested Answer



Actual exam question from Cisco's 350-601

Question #: 281

Topic #: 1

[\[All 350-601 Questions\]](#)

DRAG DROP -

An engineer must configure remote authentication on a Cisco UCS system. The user password must be encrypted before it is sent to the authentication server. The company security policy requires the server to be based on an open standard. Drag and drop the UCS CLI AAA configuration commands from the left into the order in which they must be implemented on the right. Not all commands are used.

Select and Place:

Answer Area

commit-buffer

create server <ip address>

set key

scope radius

scope tacacs+

scope security

step 1

step 2

step 3

step 4

step 5

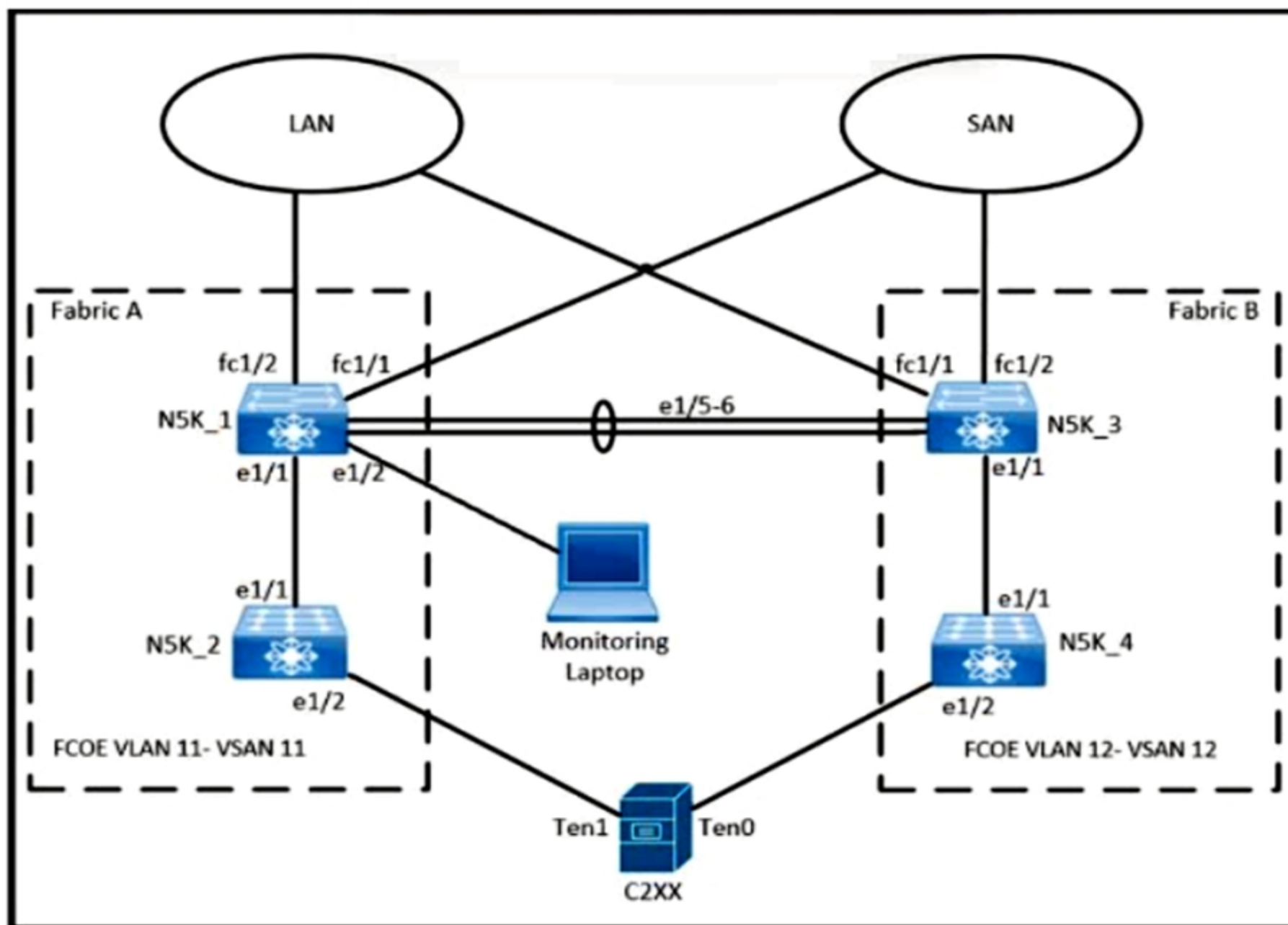
Show Suggested Answer

Actual exam question from Cisco's 350-601

Question #: 282

Topic #: 1

[\[All 350-601 Questions\]](#)



LAN / Traffic Monitoring Sessions / Fabric A / Monitor Session VSAN11-Session

General Faults Events

Actions

- Set Destination
- Clear Destination
- Delete

Properties

Name : VSAN11-Session

Admin State : Enabled Disabled

Destination :

Admin Speed : 1 Gbps 10 Gbps 40 Gbps

Operational State : Unknown

Operational State Reason : Unknown

Configuration Success : Yes

Configuration Failure Reason :

Sources

Uplink Ethernet Ports

Refer to the exhibit. An engineer is creating a SPAN session to send a copy of all the Fabric-A VSAN 11 traffic on N5K_1 to the monitoring laptop. The configuration that presented has already been applied to Cisco UCS Manager. Which action completes the configuration?

- A. Create a SAN traffic monitoring session.
- B. Set VLAN 11 as the traffic destination.
- C. Activate a NetFlow monitoring session.
- D. Select VSAN 1 as the source of traffic.

Show Suggested Answer

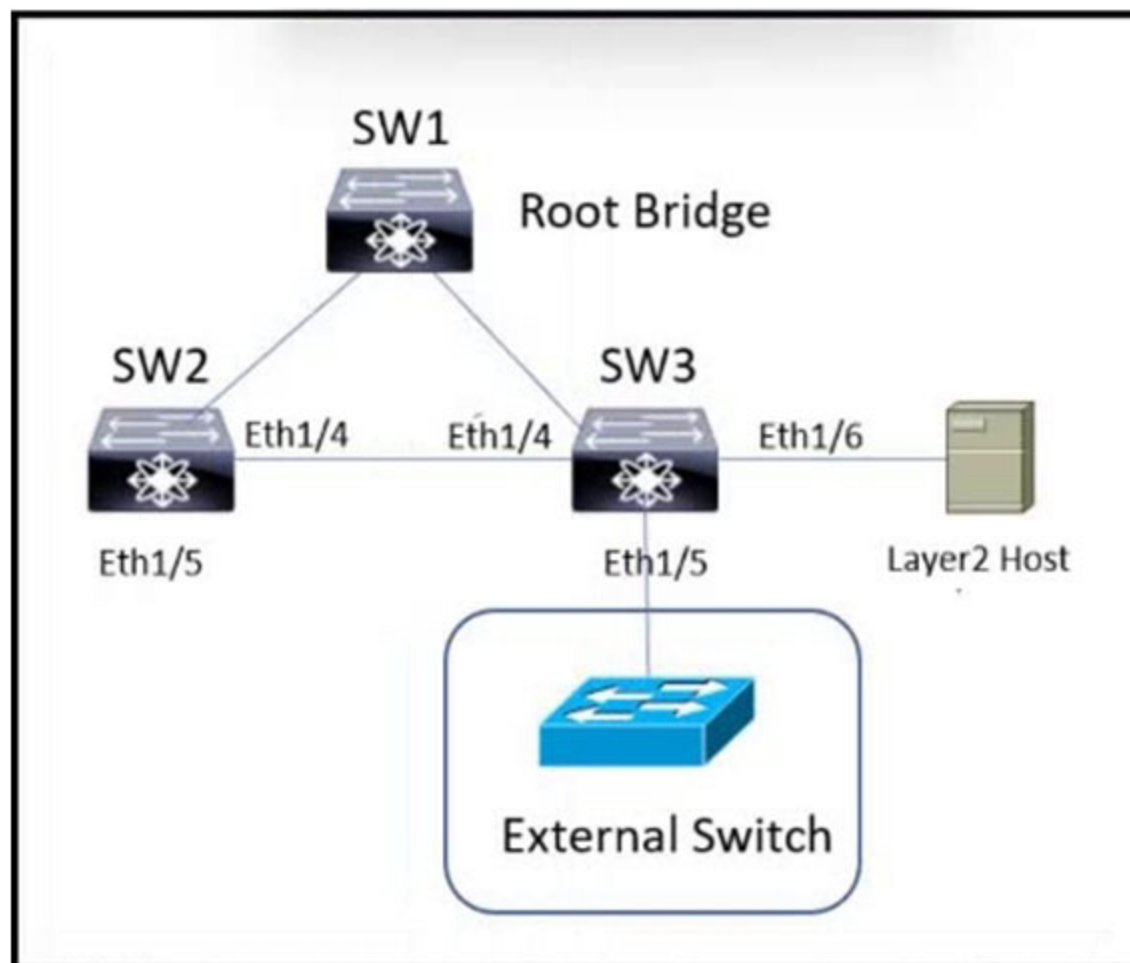
Actual exam question from Cisco's 350-601

Question #: 283

Topic #: 1

[\[All 350-601 Questions\]](#)

DRAG DROP -



Refer to the exhibit. The Cisco Nexus Series Switches SW1, SW2, and SW3 are connected via Layer 2 copper interfaces. An engineer implements loop prevention standard IEEE 802.1w on each VLAN to provide faster recovery from network changes or failures. The implementation has these requirements:

- ⇒ Interfaces that are connected to Layer 2 hosts must not receive STP BPDUs.
- ⇒ The implementation must detect unidirectional links due to one-way traffic twisted-pair links.
- ⇒ Bridge assurance must be enabled between SW2 and SW3.
- ⇒ The Layer 2 domain must be protected from superior BPDUs that arrive from external switches.

Drag and drop the code snippets from the right onto the blanks in the code on the left to complete the configuration for SW3. Not all code snippets are used.

Select and Place:

```

! SW3 configuration
interface ethernet 1/4
  spanning-tree port type 
  udld 
interface ethernet 1/5
  spanning-tree guard 
interface ethernet 1/6
  spanning-tree port type 
  
```

aggressive

network

bpdu

edge

normal

root

Show Suggested Answer



Actual exam question from Cisco's 350-601

Question #: 284

Topic #: 1

[\[All 350-601 Questions\]](#)

Which virtualization feature is provided by network-attached storage?

- A. raw device passthrough
- B. VM cluster shared disk
- C. hypervisor host boot LUN
- D. ALUA path redirection

Show Suggested Answer





Actual exam question from Cisco's 350-601

Question #: 285

Topic #: 1

[\[All 350-601 Questions\]](#)

An engineer must suggest deployment model for a newly developed application. The engineer has a small starting budget and lacks technical knowledge and infrastructure to implement storage, operating system, and database services to support the application deployment. The engineer also needs usage data related to the service and the ability to elastically scale the deployment as customer demands grow. Which two models must be used to meet the requirements? (Choose two.)

- A. infrastructure as a service
- B. public cloud
- C. software as a service
- D. private cloud
- E. platform as a service

Show Suggested Answer



Actual exam question from Cisco's 350-601

Question #: 286

Topic #: 1

[\[All 350-601 Questions\]](#)

DRAG DROP -

An engineer must configure Cisco UCS Manager to accept only HTTPS connections that use TLS 1.2. The cipher security level must be high and the length of the keyring key value must be 2048 bits. Drag and drop the code snippets from the right onto the blanks in the code on the left to accomplish these goals. Not all commands are used.

Select and Place:

```
scope security
  create keyring ciscokring
  set modulus 
  commit-buffer
```

```
scope system
  scope services
  enable https
  set https port 8443
  set https 
  set https cipher-suite-mode 
  set https ssl-protocol 
```

mod2048

keyring ciscokring

1024 bits

secure

high-strength

tls1-2

Show Suggested Answer



Actual exam question from Cisco's 350-601

Question #: 287

Topic #: 1

[\[All 350-601 Questions\]](#)

A network administrator's creating a custom Django self-service portal that runs on a Linux server to automate the creation of new VLANs on Cisco UCS Manager. Which feature must be installed and configured on the server?

- A. Cisco DNA Center API
- B. Cisco AppDynamics
- C. Cisco UCS Python SDK
- D. Cisco UCS PowerTool Suite

Show Suggested Answer



Actual exam question from Cisco's 350-601

Question #: 288

Topic #: 1

[\[All 350-601 Questions\]](#)

An engineer must configure a backup and restore of Cisco UCS Manager during the weekend maintenance windows. The configuration must be restored to its original state on Monday morning. The end users can make changes only to the Service Profile configuration. Which set of actions meets these requirements?

- A. Schedule a system backup to run at the start of every weekend and manually import the backup on Monday morning.
- B. Schedule a logical backup to run at the start of every weekend and manually import the backup on Monday morning.
- C. Schedule a system backup to run at the start of every weekend and schedule the import of the backup to run on Monday morning.
- D. Schedule a logical backup to run at the start of every weekend and schedule the import of the backup to run on Monday morning.

Show Suggested Answer





Actual exam question from Cisco's 350-601

Question #: 289

Topic #: 1

[\[All 350-601 Questions\]](#)

Due to a newly announced security advisory, a company has been informed that they must update the configuration of 500 network devices that are deployed in their network. The engineering team must assist the operations team to prepare for this update. The operations team does not have direct access to the network devices and must login via a Linux server. This is the first time that the team is making a network-wide configuration and must change all devices without first installing additional software on the network devices. The operations team is unfamiliar with automation and scripting technologies. Which automation tool must be used to accomplish this goal?

- A. Chef
- B. SaltStack
- C. Ansible
- D. Puppet

Show Suggested Answer

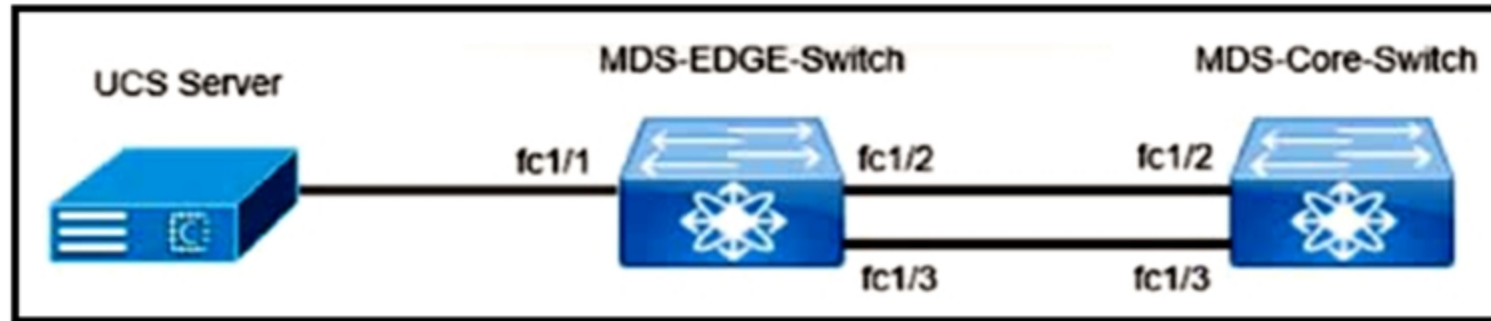


Actual exam question from Cisco's 350-601

Question #: 290

Topic #: 1

[\[All 350-601 Questions\]](#)



```
MDS-EDGE-SWITCH(config)# npv traffic-map server-interface  
fc1/1 external-interface fc1/3
```

fc1/1: External interface list should contain the one in use

Refer to the exhibit. The MDS-EDGE-Switch and MDS-Core-Switch are configured with NPV and NPIV features. The FLOGI from Cisco UCS is received by the MDS-Core-Switch on interface fc1/2. An engineer tried to move all traffic between the MDS-EDGE-Switch and MDS-Core-Switch from interface fc1/2 to fc1/3, but the attempt failed. Which set of actions completes the configuration?

- A. Shut down fc1/1 in the MDS-EDGE-Switch. Re-apply the command. Enable interface fc1/1.
- B. Disable the NPIV feature in the MDS-EDGE-Switch. Re-enable the NPIV feature. Disable interface fc1/3.
- C. Disable the NPV feature in the MDS-EDGE-Switch. Re-enable the NPV feature. Disable interface fc1/1.
- D. Shutdown fc1/3 in the MDS-EDGE-Switch. Re-apply the command. Enable interface fc1/3.

Show Suggested Answer



Actual exam question from Cisco's 350-601

Question #: 291

Topic #: 1

[\[All 350-601 Questions\]](#)

An engineer needs to install a new package on a Cisco Nexus 9000 Series Switch. What the impact of running the install commit <filename> command on the switch?

- A. The switch is restarted after the upgrade is complete.
- B. The previous package that was in use is deleted from bootflash.
- C. The package is used after the switch is restarted.
- D. The package is used in the running configuration.

Show Suggested Answer



Actual exam question from Cisco's 350-601

Question #: 292

Topic #: 1

[\[All 350-601 Questions\]](#)

An engineer must configure Cisco Nexus 9000 Series Switches for Cisco UCS Director integration. The configuration must enable automated onboarding of the switches as they come online. For security purposes, the switches must have the bare minimum of connection methods enabled. The connection protocol must allow authentication through credentials. Which protocol must be configured on the switches to allow automated onboarding?

- A. SNMP
- B. Telnet
- C. HTTPS
- D. SSH

Show Suggested Answer





Actual exam question from Cisco's 350-601

Question #: 293

Topic #: 1

[\[All 350-601 Questions\]](#)

Which two actions should be performed before upgrading the infrastructure and firmware of multiple UCS blades? (Choose two.)

- A. Get Full State and All Configuration backup files before beginning the upgrade.
- B. Verify if the bootflash on the fabric interconnects in the Cisco UCS has at least 10% available space.
- C. Verify if the bootflash on the fabric interconnects in the Cisco UCS has at least 15% available space.
- D. Enable Smart Call Home feature during the firmware upgrade process.
- E. Run the Check Conformance feature to verify that all your components are running the compatible firmware version after the upgrade.

Show Suggested Answer

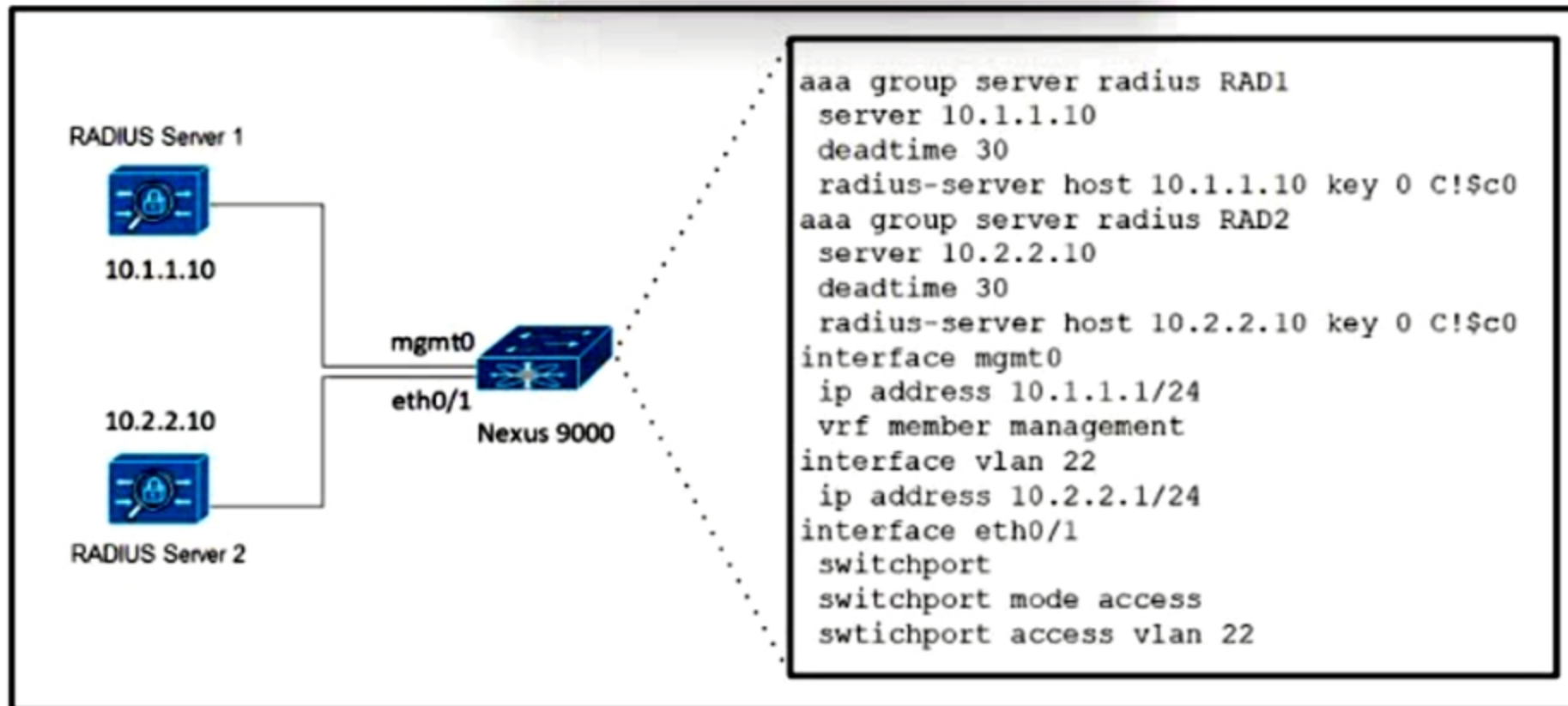


Actual exam question from Cisco's 350-601

Question #: 294

Topic #: 1

[\[All 350-601 Questions\]](#)



Refer to the exhibit. A user must be granted management access to the Cisco Nexus 9000 Series Switch using AAA servers. The RADIUS servers are configured to accept login requests from the same Layer 2 subnet of the switch. The user must be permitted to log in with these requirements:

- ⇒ RADIUS server 1 must be used to log in via a console.
- ⇒ RADIUS server 2 must be used to login via SSH.

Which two actions meet these requirements? (Choose two.)

- A. Configure the authentication login to use group RAD1 for console and group RAD2 for remote access.
- B. Change the dead timer for RAD1 and RAD2 to 1 minute.
- C. Set the RADIUS source interface to be mgmt0 for group RAD1 and VLAN 22 for group RAD2.
- D. Configure AAA to send the accounting traffic to RAD1 and RAD2.
- E. Enable command authorization to RAD1 and RAD2 for all successful logins.

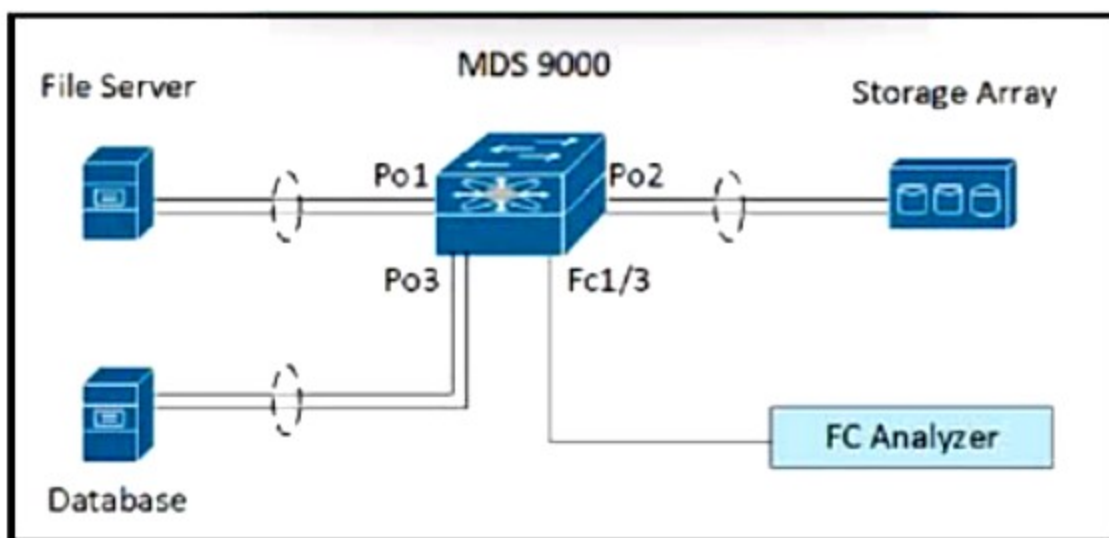
Show Suggested Answer

Actual exam question from Cisco's 350-601

Question #: 295

Topic #: 1

[\[All 350-601 Questions\]](#)



```
interface port-channel 1
  channel mode active
interface port-channel 2
  channel mode active
interface fc1/1-2
  channel-group 1
  no shutdown
interface fc1/4-5
  channel-group 2
  no shutdown
interface fc1/7-8
  channel-group 3
  no shutdown
vsan database
  vsan 100 name fabric1
  vsan 100 interface port-channel 1
  vsan 100 interface port-channel 2
  vsan 100 interface port-channel 3
```

Refer to the exhibit. A storage engineer must monitor the traffic from the file server to the FC analyzer. The file server and the database use the same storage array. Which configuration must be applied to the Cisco MDS 9000 Series Switch to accomplish this goal?

- A. MDS-9000(config)# span session 1 MDS-9000(config-span)# destination interface port-channel 2 MDS-9000(config-span)# source interface fc1/1
- B. MDS-9000(config)# span session 1 MDS-9000(config-span)# destination interface fc1/3 MDS-9000(config-span)# source interface port-channel 1
- C. MDS-9000(config)# span session 1 MDS-9000(config-span)# destination interface vsan 100 MDS-9000(config-span)# source interface port-channel 1
- D. MDS-9000(config)# span session 1 MDS-9000(config-span)# destination interface port-channel 2 MDS-9000(config-span)# source interface vsan 100

Show Suggested Answer

Actual exam question from Cisco's 350-601

Question #: 296

Topic #: 1

[\[All 350-601 Questions\]](#)

DRAG DROP -

An engineer must configure a control plane policy on a Cisco Nexus 9000 Series Switch that is located at IP 192.168.20.1 that meets these requirements:

- ⇒ Only HTTP, RDP, and ICMP traffic is permitted from subnet 192.168.10.0/24.
- ⇒ The committed information rate must be 54000 pps.
- ⇒ The burst size must be 128 packets.
- ⇒ Any other traffic must be dropped.

Drag and drop the code snippets from the bottom onto the blanks in the code on the top to complete the configuration. Not all code snippets are used.

Select and Place:

```
ip access-list permithosts
  permit tcp 192.168.10.0/24 
  permit tcp 192.168.10.0/24 host 192.168.20.1 eq 3389
  permit icmp 192.168.10.0/24 host 192.168.20.1

class-map type control-plane match-any hostscmap
  match 

policy-map type control-plane hostspmap
  
  police cir 54000 pps bc 128 packets 
```

Show Suggested Answer



Actual exam question from Cisco's 350-601

Question #: 297

Topic #: 1

[\[All 350-601 Questions\]](#)

A Cisco Nexus 7000 Series switch runs VXLAN, and interface Ethernet 7/30 is configured as a trunk port. Which command set configures the switch to act as a gateway for VLAN 50? interface Ethernet7/30 no switchport no shutdown service instance 1 vni no shutdown encapsulation profile VSI_50_TO_500 default

- A. encapsulation profile vni VSI_50_TO_500 dot1q 50 vni 500 bridge-domain 50 member vni 500 interface Bdi50 ip address 10.50.50.51/24
- B. encapsulation profile vni VSI_50_TO_500 dot1q 500 vni 50 bridge-domain 500 member vni 50 interface Bdi500 ip address 10.50.50.51/24
- C. encapsulation profile vni VSI_50_TO_500 dot1q 500 vni 50 bridge-domain 500 member vni 50 interface Vlan500 ip address 10.50.50.51/24
- D. encapsulation profile vni VSI_50_TO_500 dot1q 50 vni 500 bridge-domain 50 member vni 500 interface Vlan50 ip address 10.50.50.51/24

Show Suggested Answer



Actual exam question from Cisco's 350-601

Question #: 299

Topic #: 1

[\[All 350-601 Questions\]](#)

A network engineer must deploy a configuration backup policy to the Cisco UCS Manager. The file generated from this backup must have a snapshot of the entire system that should be used to restore the system during disaster recovery. The backup file must be transferred insecurely by using the TCP protocol. Which configuration backup settings meet these requirements?

- A. Type: Full State Protocol: FTP
- B. Type: System Configuration Protocol: TFTP
- C. Type: All Configuration Protocol: SCP
- D. Type: Logical Configuration Protocol: SFTP

Show Suggested Answer





Actual exam question from Cisco's 350-601

Question #: 300

Topic #: 1

[\[All 350-601 Questions\]](#)

What is a benefit of using the Cisco UCS Lightweight upgrade feature?

- A. A soft reboot is available for the fabric interconnects.
- B. The firmware version of a component is updated only when it has been modified.
- C. All servers are rebooted to push the latest updates.
- D. Security updates are scheduled with the next reboot of the fabric interconnects.

Show Suggested Answer





Actual exam question from Cisco's 350-601

Question #: 301

Topic #: 1

[\[All 350-601 Questions\]](#)

An engineer must configure a Cisco UCS domain for monitoring and management by the Cisco Intersight SaaS platform. After the setup is complete, administrators must have full control to configure the device through Cisco UCS Manager and Intersight. Which set of actions accomplishes this task?

- A. Configure Device Connector Access Mode as Allow Control in Device Console. Claim the device on Intersight as UCSM Managed Mode.
- B. Configure Device Connector Access Mode as Allow Control in Cisco UCS Manager. Claim the device on Intersight as UCSM Managed Mode.
- C. Configure Device Connector Access Mode as Allow Control in Device Console. Claim the device on Intersight as Intersight Managed Mode.
- D. Configure Device Connector Access Mode as Allow Control in Cisco UCS Manager. Claim the device on Intersight as Intersight Managed Mode.

Show Suggested Answer



Actual exam question from Cisco's 350-601

Question #: 302

Topic #: 1

[\[All 350-601 Questions\]](#)

An engineer implements a Python script inside a Cisco Bash shell. The script contains this dictionary object:

```
switch_id_list = {  
    "N9K-Spine-1": "842542684755",  
    "N9K-Leaf-1": "126784690",  
    "N9K-Leaf-2": "56556473"  
}
```

Which command must be used to add the 'N9K-Spine-2': '1498323434' element to the switch_id list dictionary?

- A. `switch_id_list += {N9K-Spine-2:1498323434 :€€}`
- B. `switch_id_list = [N9K-Spine-2:1498323434 :€€]`
- C. `switch_id_list.append({N9K-Spine-2:1498323434 :€€})`
- D. `switch_id_list.update({N9K-Spine-2:1498323434 :€€})`

Show Suggested Answer



Actual exam question from Cisco's 350-601

Question #: 303

Topic #: 1

[\[All 350-601 Questions\]](#)

DRAG DROP -

A network engineer must configure FCoE on an interface of a Cisco MDS 9000 Series Switch. It should be used for mapping between VLAN 600 and VLAN 6. Drag and drop the commands from the bottom into their implementation order in the FCoE configuration. Not all commands are used.

Select and Place:

```
switch(config)# vlan 600
switch(config-vlan)# 
switch(config)# interface ethernet 1/2
switch(config-if)# switchport mode trunk
switch(config-if)# switchport trunk 
switch(config-if)# spanning-tree port type edge trunk
switch(config)# interface vfc 6
switch(config-if)# bind interface ethernet 1/2
switch(config)# vsan database
switch(config-vsan)#
```

vsan 6 bind interface vfc 6

allowed vlan 1,600

allowed vlan 1

vsan 6 interface vfc 6

fcoe vsan 6

bind vsan 6

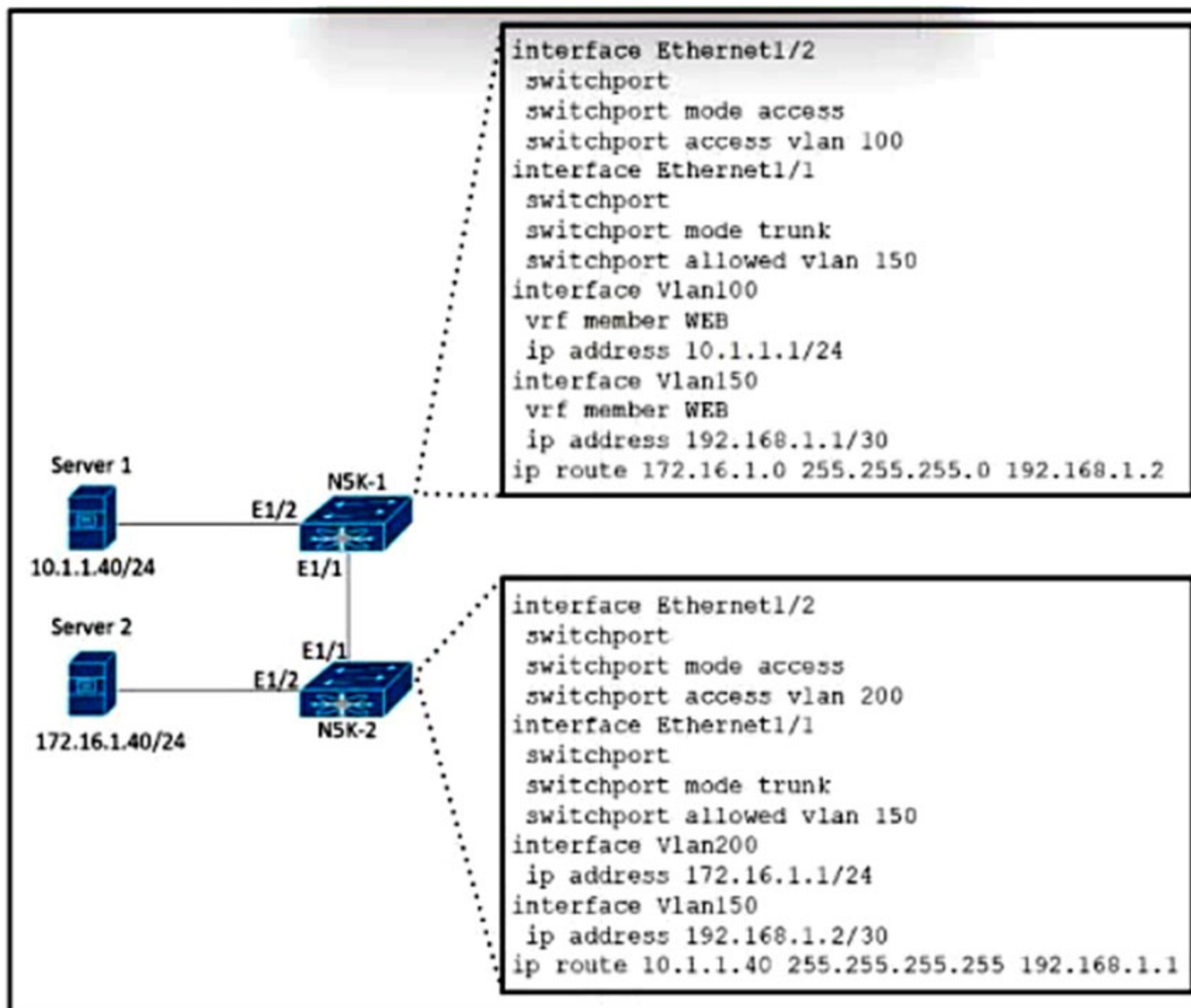
Show Suggested Answer

Actual exam question from Cisco's 350-601

Question #: 304

Topic #: 1

[\[All 350-601 Questions\]](#)



Refer to the exhibit. The gateway of Server1 is in the VLAN 100 SVI on N5K-1 and the gateway of Server 2 is in the VLAN 200 SVI on N5K-2. Server 1 must connect to Server 2 using unidirectional traffic. Which action accomplishes this requirement?

- A. Configure access VLAN 100 on interface Ethernet 1/2 on N5K-2.
- B. Create a static route in VRF WEB for the subnet of Server 2 on N5K-1.
- C. Assign VRF WEB membership to interfaces VLAN 150 and 200 on N5K-2
- D. Add VLAN 100 and 200 to the allowed VLANs list on the Ethernet 1/1 interface on N5K-1.

Show Suggested Answer



Actual exam question from Cisco's 350-601

Question #: 305

Topic #: 1

[\[All 350-601 Questions\]](#)

An engineer configures a storage environment for a customer with high-security standards. The secure environment is configured in VSAN 50. The customer wants to maintain a configuration and active databases and prevent unauthorized switches from joining the fabric. Additionally, the switches must prevent rogue device from connecting to their ports by automatically learning the WWPNs of the ports connected to them for the first time. Which configuration sets must be used to meet these requirements? (Choose two.)

- A. fcsp enable fcsp auto-active
- B. fcsp dhchap hash md5 sha1
- C. fabric-binding activate vsan 50 force
- D. clear fabric-binding activate vsan 50 fabric-binding activate vsan 50
- E. port-security enable port-security activate vsan 50

Show Suggested Answer

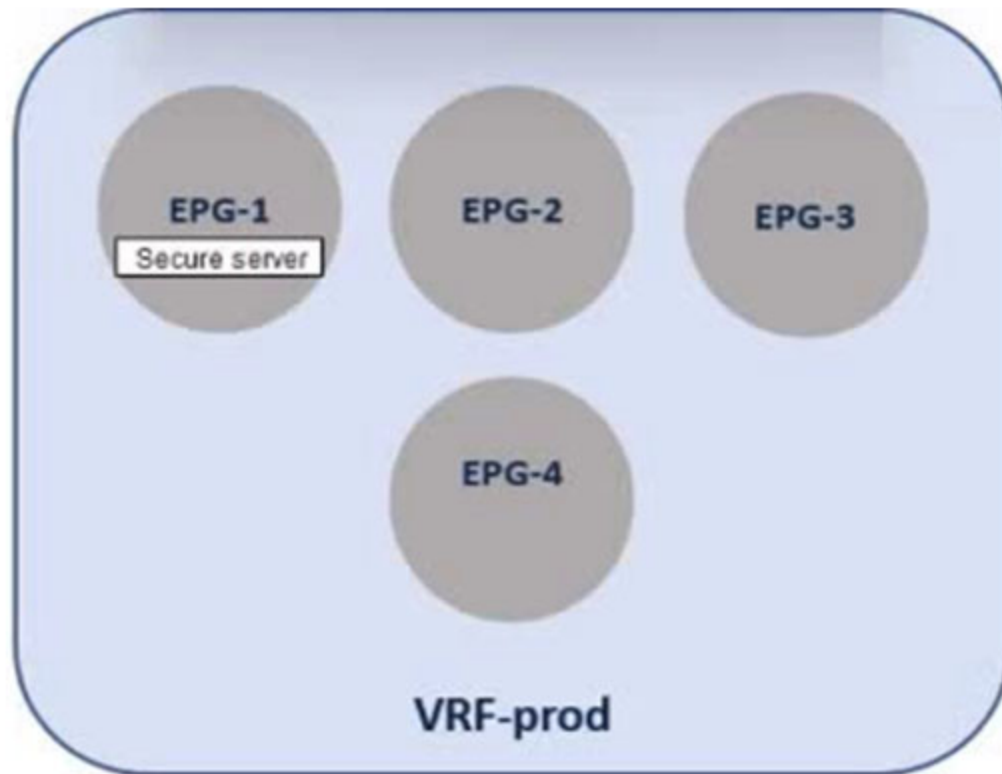


Actual exam question from Cisco's 350-601

Question #: 306

Topic #: 1

[\[All 350-601 Questions\]](#)



Refer to the exhibit. A secure server that provides services to EPG-2 must be placed in EPG-1. The remaining EPGs `` EPG-2, EPG-3, and EPG-4 `` must communicate without any contracts. Which set of actions accomplishes this goal?

- A. Exclude EPG-2, EPG-3, and EPG-4 from the preferred group. Configure a contract between EPG-1 and EPG-3.
- B. Exclude EPG-2, EPG-3, and EPG-4 from the preferred group. Configure a contract between EPG-2 and EPG-3.
- C. Include EPG-2, EPG-3, and EPG-4 in the preferred group. Configure a contract between EPG-1 and EPG-2.
- D. Include EPG-1 and EPG-2 in the preferred group. Configure a contract between EPG-2 and EPG-3.

Show Suggested Answer



Actual exam question from Cisco's 350-601

Question #: 307

Topic #: 1

[\[All 350-601 Questions\]](#)

The Cisco UCS blade chassis must send SNMPv3 traps to a network monitoring system. The SNMP trap messages should be authenticated and have protection from disclosure. Which SNMP security privilege level should be configured?

- A. priv
- B. noAuth
- C. auth
- D. noPriv

Show Suggested Answer

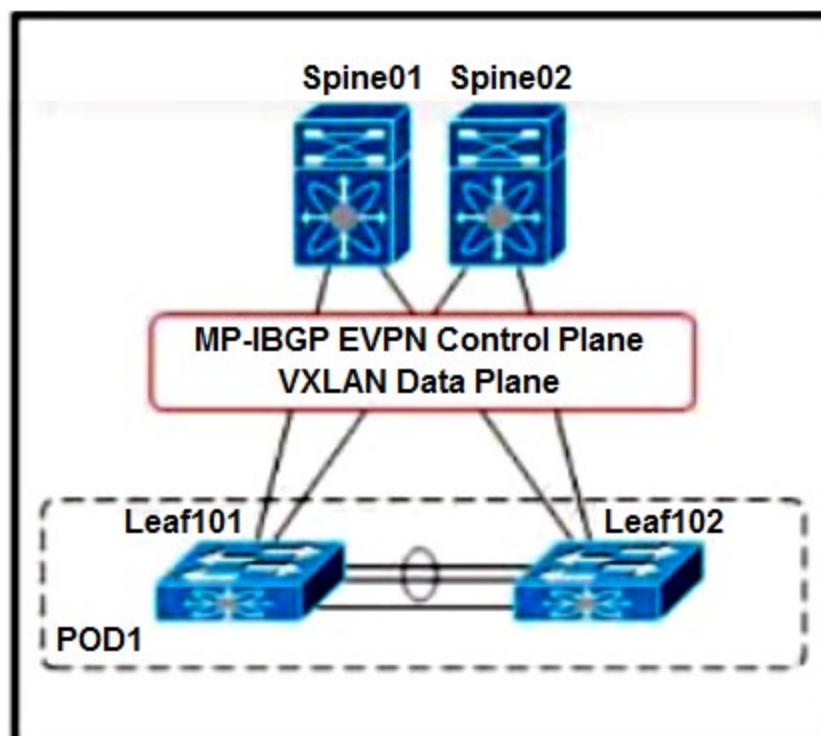


Actual exam question from Cisco's 350-601

Question #: 308

Topic #: 1

[\[All 350-601 Questions\]](#)



```

SPINE-01#show run pim
ip pim rp-address 10.255.0.100 group-list 225.0.0.0/8
ip pim bsr rp-candidate loopback1 group-list 225.0.0.0/8
ip pim ssm range 232.0.0.0/8
ip pim anycast-rp 10.255.0.100 10.10.0.1
ip pim anycast-rp 10.255.0.100 10.10.0.2
!
!
SPINE-01#show run interface loopback1
interface loopback1
 ip router ospf 1 area 0.0.0.0
 ip pim sparse-mode

```

Refer to the exhibit. An engineer must implement VXLAN with anycast gateway. To accomplish this, an engineer must set up PIM Source-Specific Multicast for host reachability. Which IP address must be applied to interface loopback1 to accomplish this goal?

- A. 10.10.0.1/32
- B. 10.255.0.100
- C. 10.10.0.2/32
- D. 255.0.0.1/8

Show Suggested Answer



Actual exam question from Cisco's 350-601

Question #: 309

Topic #: 1

[\[All 350-601 Questions\]](#)

An engineer must configure a Cisco UCS blade system that is managed by Cisco UCS Manager. All four connected interfaces between the blade system and the fabric interconnects must be used. Additionally, the connectivity must tolerate any link failure between the I/O module and the fabric interconnects. Which action accomplishes these requirements?

- A. Configure chassis/FEX discovery policy action to four links.
- B. Configure port aggregation with LACP policy set to default.
- C. Configure Link Group Preference to Port Channel.
- D. Configure Firmware Auto Sync Server policy to Auto Acknowledge.

Show Suggested Answer





Actual exam question from Cisco's 350-601

Question #: 310

Topic #: 1

[\[All 350-601 Questions\]](#)

What is an advantage of NAS compared to SAN?

- A. It provides lossless throughput.
- B. It offers enhanced NFS features.
- C. It functions in an existing IP environment.
- D. It offers enhanced security features.

Show Suggested Answer



Actual exam question from Cisco's 350-601

Question #: 311

Topic #: 1

[\[All 350-601 Questions\]](#)

DRAG DROP -

A network engineer must implement a telemetry solution to collect real-time structured data in a large-scale network. Drag and drop the actions from the left into the order on the right to implement the solution. Not all actions are used.

Select and Place:

Answer Area

Configure the flow monitor and flow record.

Set the format and destination to which the data is sent.

Configure the data to be collected as part of the sensor group.

Set the subscription between the sensor group and the destination.

step 1

step 2

step 3

Show Suggested Answer





Actual exam question from Cisco's 350-601

Question #: 312

Topic #: 1

[\[All 350-601 Questions\]](#)

Where does the witness VM reside in a Cisco HyperFlex Edge deployment?

- A. HyperFlex Data Platform
- B. local HyperFlex datastore
- C. Windows application
- D. Cisco Intersight

Show Suggested Answer





Actual exam question from Cisco's 350-601

Question #: 313

Topic #: 1

[\[All 350-601 Questions\]](#)

An engineer must implement protection against ICMP DoS attacks on a Cisco Nexus 9000 Series Switch. The requirement is to rate-limit ICMP without denying all other ICMP traffic. The ICMP traffic currently passing through the Cisco Nexus 9000 device must not be affected. Which configuration accomplishes these goals?

- A. Reconfigure the Layer 3 interfaces to be in the non-default VRF and ICMP broadcast storm control.
- B. Create an access list deny ICMP traffic and apply it to all interfaces in the inside direction.
- C. Apply a control plane service policy that matches all ICMP traffic to drop the traffic that exceeds the threshold.
- D. Configure SNMP traps to send the ICMP notification if the CPU utilization is more than 90%.

Show Suggested Answer



Actual exam question from Cisco's 350-601

Question #: 314

Topic #: 1

[\[All 350-601 Questions\]](#)

A network engineer must determine the cooling requirements for a Cisco UCS C-Series Rack Server. The server with PCIe cards is configured with a fan configuration policy. Which configuration should be used for the fan policy of the server?

- A. `server # scope chassis server /chassis # scope fan-policy server /chassis/fan-policy # set fan-policy balanced server /chassis/fan-policy* # commit`
- B. `server # scope chassis server /chassis # scope fan-policy server /chassis/fan-policy # set fan-policy high-power server /chassis/fan-policy* # commit`
- C. `server # scope chassis server /server # scope fan-policy server /server/fan-policy # set fan-policy acoustic server /server/fan-policy* # commit`
- D. `server # scope server server /server # scope fan-policy server /server/fan-policy # set fan-policy low-power server /server/fan-policy* # commit`

Show Suggested Answer



Actual exam question from Cisco's 350-601

Question #: 315

Topic #: 1

[\[All 350-601 Questions\]](#)

```
1  . /etc/init.d/functions
2  exec="/usr/bin/chef-client"
3  prog="chef-client"
4  [ -e /etc/sysconfig/$prog ] && . /etc/sysconfig/$prog
5  config=${CONFIG-/etc/chef/client.rb}
6  pidfile=${PIDFILE-/var/run/chef/client.pid}
7  reload() {
8  echo -n $"Reloading $prog: "
9
10     [REDACTED]
11     retval=$?
12     echo
13     return $retval
14 }
15 case "$1" in
16     reload)
17         rh_status_q || exit 7
18         ;;
19     *)
20     exit 2
21 esac
22 exit $?
```

Refer to the exhibit. A developer must create a Bash script that performs a Chef Client reload in the event of a system reset. Which command completes the script?

- A. `killproc -n $pidfile $exec -SIGHUP`
- B. `killproc -pi $pidfile $exec -HUP`
- C. `killproc -p $pidfile $exec -HUP`
- D. `killproc -n $pidfile $exec -HUP`

Show Suggested Answer



Actual exam question from Cisco's 350-601

Question #: 316

Topic #: 1

[\[All 350-601 Questions\]](#)

An engineer must implement a new VRF that permits communication between all endpoint groups (EPGs) by default. The new EPGs and bridge domains (BDs) that are created in the new VRF must not require additional configuration to permit traffic between the newly created EPGs or BDs. Which action accomplishes this goal?

- A. Provide and consume a permit any contract on the VRF level.
- B. Create a VRF in the common tenant.
- C. Place all EPGs in the preferred group.
- D. Implement a global contract.

Show Suggested Answer





Actual exam question from Cisco's 350-601

Question #: 317

Topic #: 1

[\[All 350-601 Questions\]](#)

An engineer is implementing traffic monitoring for a server vNIC that is configured with fabric failover enabled. The requirement is for the traffic to be sent to an analyzer, even during a failure of one of the fabric interconnects. The analyzer is connected to unconfigured Ethernet ports on both fabric interconnects. Which configuration accomplishes this task?

- A. Create two traffic monitoring sessions with different names, one per fabric. Connect an analyzer on each FI as the destination for the monitoring session local to the FI.
- B. Create two traffic monitoring sessions with the same name, one per fabric. Connect the analyzer connected to FI-A as the destination for both monitoring sessions.
- C. Create two traffic monitoring sessions with different names, one per fabric. Connect the analyzer connected to FI-B as the destination for both monitoring sessions.
- D. Create two traffic monitoring sessions with the same name, one per fabric. Connect an analyzer on each FI as the destination for the monitoring session local to that FI.

Show Suggested Answer



Actual exam question from Cisco's 350-601

Question #: 318

Topic #: 1

[\[All 350-601 Questions\]](#)

An engineer must configure a named VSAN when the fabric interconnect is in Fibre Channel switch mode. The VSAN must meet these requirements:

- ⇒ Named VSAN must be called `VSAN10`.
- ⇒ VSAN ID must be 10.
- ⇒ FCoE ID must be 20.
- ⇒ VSAN 10 must be attached to port 2 in slot 1.

Which command set configures a VSAN when the fabric interconnects is in Fibre Channel switch mode?

- A. `UCS-A# scope eth-storage UCS-A/fc-storage# create vsan VSAN10 10 20 UCS-A/fc-storage/vsan # create member-port fcoe a 2 1 UCS-A/fc-storage/vsan/member-port* # commit-buffer`
- B. `UCS-A# scope fc-traffic-mon UCS-A/fc-storage# create vsan VSAN10 20 10 UCS-A/fc-storage/vsan # create member-port fcoe a 2 1 UCS-A/fc-storage/vsan/member-port* # commit-buffer`
- C. `UCS-A# scope fc-storage UCS-A/fc-storage# create vsan VSAN10 10 20 UCS-A/fc-storage/vsan # create member-port fcoe a 1 2 UCS-A/fc-storage/vsan/member-port* # commit-buffer`
- D. `UCS-A# scope fc-uplink UCS-A/fc-storage# create vsan VSAN10 20 10 UCS-A/fc-storage/vsan # create member-port fcoe a 1 2 UCS-A/fc-storage/vsan/member-port* # commit-buffer`

Show Suggested Answer

Actual exam question from Cisco's 350-601

Question #: 319

Topic #: 1

[\[All 350-601 Questions\]](#)

DRAG DROP -

Drag and drop the HyperFlex characteristics from the left onto the appropriate HyperFlex node types on the right.

Select and Place:

Answer Area

uses only SSD drives for caching

contains HDDs for the capacity layer

uses SSD drives or NVMe storage for caching

recommended for repeatable and sustainable high performance, especially for scenarios with a larger working set of data

has SSD drives for the capacity layer

recommended for capacity sensitive solutions, lower budgets, and fewer performance-sensitive applications

Hybrid Node

All Flash Node

Show Suggested Answer

Actual exam question from Cisco's 350-601

Question #: 320

Topic #: 1

[\[All 350-601 Questions\]](#)

An engineer upgrades the bash on the Cisco Nexus 9000 Series Switch.

```
guestshell:~$ sudo [MISSING_COMMAND] /bootflash/bash-4.2_8642465284455a-r8x86_64.rpm.rpm
Preparing...
##### [100%]
1:bash ##### [100%]
update-alternatives: Linking //bin/sh to /bin/bash
```

Which command must be used to complete the task?

- A. upgrade -U
- B. rpm -qa
- C. rpm -Uhv
- D. update -vh

Show Suggested Answer



Actual exam question from Cisco's 350-601

Question #: 321

Topic #: 1

[\[All 350-601 Questions\]](#)

An engineer must generate a checkpoint of the running configuration on a Cisco Nexus Switch. The checkpoint file name must be called `before_maintenance` and should be used for recovering the switch to its premaintenance state. The rollback of the checkpoint to running configuration should only occur if no errors occur. Which two configuration commands must be used to meet these requirements? (Choose two.)

- A. rollback running-config file before_maintenance atomic
- B. checkpoint file before_maintenance
- C. rollback running-config checkpoint before_maintenance
- D. checkpoint before_maintenance
- E. rollback checkpoint file before_maintenance stop-at-first-failure

Show Suggested Answer



Actual exam question from Cisco's 350-601

Question #: 322

Topic #: 1

[\[All 350-601 Questions\]](#)

An engineer performs a Firmware Auto install upgrade through the Cisco UCS Manager. Which two Cisco UCS components are available to be upgraded in the install Server Firmware stage? (Choose two.)

- A. Fabric Interconnects
- B. I/O Modules
- C. Cisco UCS B-Series Blade Server
- D. Cisco UCS C-Series Rack-Mount Server
- E. Cisco UCS Manager

[Show Suggested Answer](#)



Actual exam question from Cisco's 350-601

Question #: 323

Topic #: 1

[\[All 350-601 Questions\]](#)

An engineer must implement access control for Cisco UCS Manager. The configuration must meet these requirements:

- ⇒ All users and user groups must be configured using Active Directory.
- ⇒ User1 must have full access to the Fabric Interconnect infrastructure and network security operations.
- ⇒ User1 must have full access to the storage operations configuration.

Which action must be performed on Cisco UCS to meet the requirements?

- A. Execute a built-in role for the user and RADIUS for the role-mapping for Active Directory.
- B. Execute a built-in role for the user and LDAP for the role-mapping for Active Directory.
- C. Create a custom role for the user and LDAP for the role-mapping for Active Directory.
- D. Create a custom role for the user and RADIUS for the role-mapping for Active Directory.

Show Suggested Answer

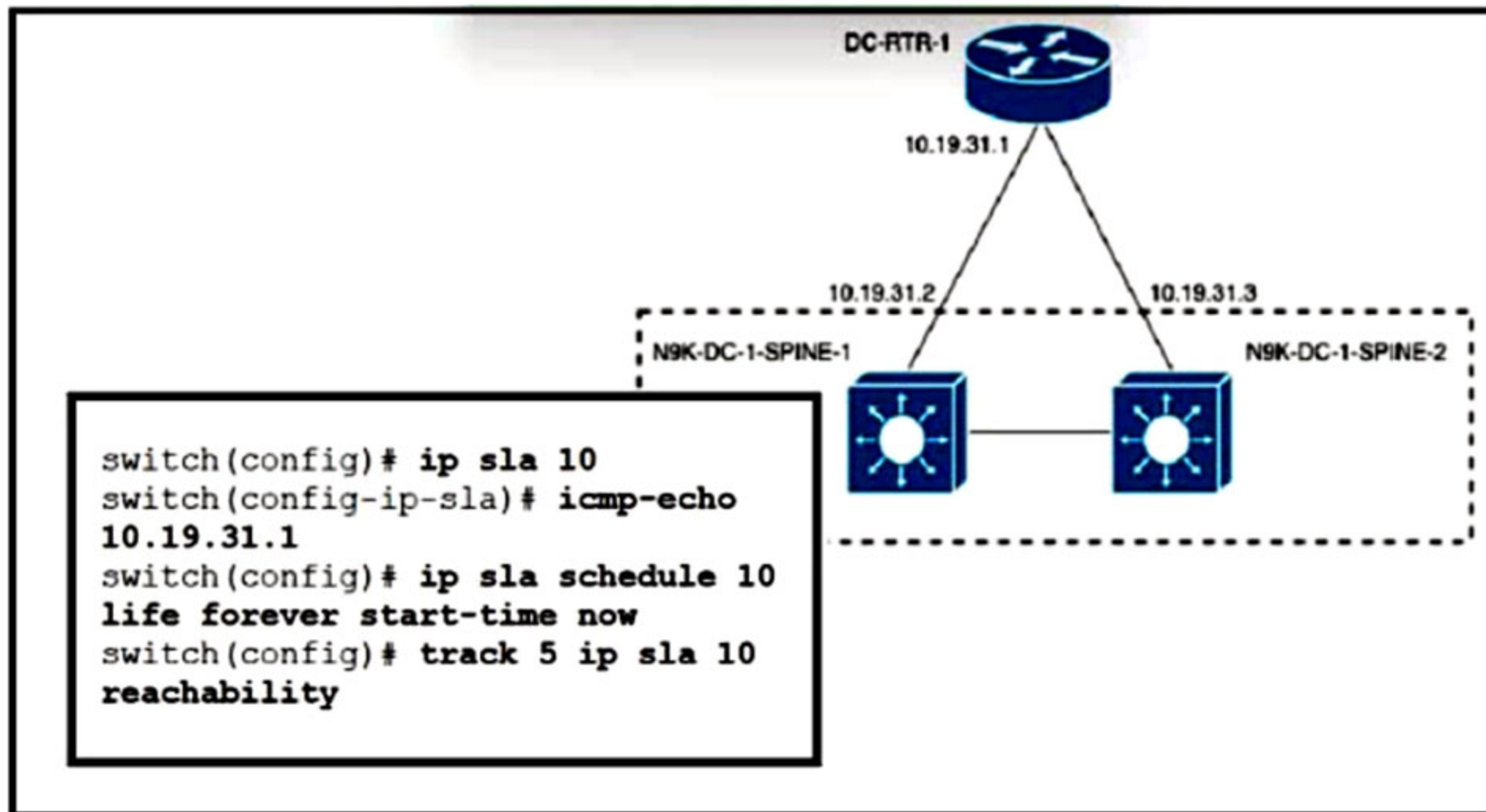


Actual exam question from Cisco's 350-601

Question #: 324

Topic #: 1

[\[All 350-601 Questions\]](#)



Refer to the exhibit. An engineer must invoke a Python script that alerts the operations team when the router DC-RTR-1 becomes unreachable. Which configuration set accomplishes this task?

- A. event scheduler name DOWN-ROUTER event track 2 state 1 not up event action 1.0 command source routerdown.py event start 0:00 repeat 0:05
- B. track 3 ip sla 10 reachability event name GATEWAY-DOWN event state down action cli command routerdown.py
- C. event manager applet ROUTER-DOWN-SLA event track 5 state down action 1.0 event-default action 2.0 cli command source routerdown.py
- D. scheduler job name ROUTER-DOWN job track 9 state down action 1.0 cli source routerdown.py schedule 10

Show Suggested Answer



Actual exam question from Cisco's 350-601

Question #: 325

Topic #: 1

[\[All 350-601 Questions\]](#)

An engineer must configure two Cisco Nexus 7000 Series switches in the same data center to support OTV. Which command set completes the join interface configuration? feature otv otv site-identifier 256 interface overlay 1 otv control-group 239.1.1.1 otv data-group 239.1.1.0/29 otv join-interface ethernet 2/1 otv extend-vlan 5-10 no shutdown

- A. Edge Device 1 interface ethernet 2/1 ip address 192.0.2.1/24 ip igmp version 3 ip pim sparse-mode Edge Device 2 interface ethernet 2/1 ip address 192.0.2.16/24 ip igmp version 3 ip pim sparse-mode
- B. Edge Device 1 interface ethernet 2/1 ip address 192.0.2.1/24 ip igmp version 3 Edge Device 2 interface ethernet 2/1 ip address 192.0.2.1/24 ip igmp version 3
- C. Edge Device 1 interface ethernet 2/1 ip address 192.0.2.1/24 ip igmp version 3 Edge Device 2 interface ethernet 2/1 ip address 192.0.2.16/24 ip igmp version 3
- D. Edge Device 1 interface ethernet 2/1 ip address 192.0.2.1/24 Edge Device 2 interface ethernet 2/1 ip address 192.0.2.16/24

Show Suggested Answer



Actual exam question from Cisco's 350-601

Question #: 326

Topic #: 1

[\[All 350-601 Questions\]](#)

DRAG DROP -

Drag and drop the steps on the left onto the order that they must be implemented on the right for recover a fabric interconnect when there is no working image on the bootflash.

Select and Place:

Answer Area

Copy the main image files.

step 1

Configure the management interfaces.

step 2

Boot the kickstart image using TFTP.

step 3

Install the files.

step 4

Show Suggested Answer



Actual exam question from Cisco's 350-601

Question #: 327

Topic #: 1

[\[All 350-601 Questions\]](#)

An engineer must perform a nondisruptive software upgrade on a dual supervisor Cisco Nexus 7000 Series Switch. What is the cause of the upgrade being disruptive?

- A. Attempt to simultaneously upgrade more than three cards
- B. Change to the configuration settings or the network connections during the upgrade process
- C. The show install all impact command is not issued before the upgrade
- D. The kickstart image is installed by using the install all kickstart image system image command

Show Suggested Answer

