



Actual exam question from VMware's 2V0-41.23

Question #: 1

Topic #: 1

[\[All 2V0-41.23 Questions\]](#)

An NSX administrator is troubleshooting a connectivity issue with virtual machines running on an ESXi transport node.
Which feature in the NSX UI shows the mapping between the virtual NIC and the host's physical adapter?

- A. Port Mirroring
- B. IPFIX
- C. Activity Monitoring
- D. Switch Visualization

Show Suggested Answer





Actual exam question from VMware's 2V0-41.23

Question #: 2

Topic #: 1

[\[All 2V0-41.23 Questions\]](#)

What needs to be configured on a Tier-0 Gateway to make NSX Edge Services available to a VM on a VLAN-backed logical switch?

- A. Loopback Router Port
- B. VLAN Uplink
- C. Service interface
- D. Downlink interface

Show Suggested Answer





Actual exam question from VMware's 2V0-41.23

Question #: 3

Topic #: 1

[\[All 2V0-41.23 Questions\]](#)

Which two of the following will be used for ingress traffic on the Edge node supporting a Single Tier topology? (Choose two.)

- A. Inter-Tier interface on the Tier-0 gateway
- B. Tier-0 Uplink interface
- C. Downlink Interface for the Tier-0 DR
- D. Tier-1 SR Router Port
- E. Downlink Interface for the Tier-1 DR

Show Suggested Answer





Actual exam question from VMware's 2V0-41.23

Question #: 4

Topic #: 1

[\[All 2V0-41.23 Questions\]](#)

Which three security features are dependent on the NSX Application Platform? (Choose three.)

- A. NSX Intelligence
- B. NSX Firewall
- C. NSX Network Detection and Response
- D. NSX TLS Inspection
- E. NSX Distributed IDS/IPS
- F. NSX Malware Prevention

Show Suggested Answer





Actual exam question from VMware's 2V0-41.23

Question #: 5

Topic #: 1

[\[All 2V0-41.23 Questions\]](#)

Which of the following exist only on Tier-1 Gateway firewall configurations and not on Tier-0?

- A. Applied To
- B. Actions
- C. Sources
- D. Profiles

Show Suggested Answer





Actual exam question from VMware's 2V0-41.23

Question #: 6

Topic #: 1

[\[All 2V0-41.23 Questions\]](#)

When collecting support bundles through NSX Manager, which files should be excluded for potentially containing sensitive information?

- A. Audit Files
- B. Core Files
- C. Management Files
- D. Controller Files

Show Suggested Answer





Actual exam question from VMware's 2V0-41.23

Question #: 7

Topic #: 1

[\[All 2V0-41.23 Questions\]](#)

An administrator has deployed 10 Edge Transport Nodes in their NSX Environment, but has forgotten to specify an NTP server during the deployment. What is the efficient way to add an NTP server to all 10 Edge Transport Nodes?

- A. Use a Node Profile
- B. Use the CLI on each Edge Node
- C. Use Transport Node Profile
- D. Use a PowerCLI script

Show Suggested Answer





Actual exam question from VMware's 2V0-41.23

Question #: 8

Topic #: 1

[\[All 2V0-41.23 Questions\]](#)

Which two BGP configuration parameters can be configured in the VRF Lite gateways? (Choose two.)

- A. Route Aggregation
- B. Route Distribution
- C. Graceful Restart
- D. BGP Neighbors
- E. Local AS

Show Suggested Answer





Actual exam question from VMware's 2V0-41.23

Question #: 9

Topic #: 1

[\[All 2V0-41.23 Questions\]](#)

Which two choices are solutions offered by the VMware NSX portfolio? (Choose two.)

- A. VMware Aria Automation
- B. VMware NSX Distributed IDS/IPS
- C. VMware NSX Advanced Load Balancer
- D. VMware Tanzu Kubernetes Grid
- E. VMware Tanzu Kubernetes Cluster

Show Suggested Answer





Actual exam question from VMware's 2V0-41.23

Question #: 10

Topic #: 1

[\[All 2V0-41.23 Questions\]](#)

Which VPN type must be configured before enabling a L2VPN?

- A. SSL-based IPsec VPN
- B. Route-based IPsec VPN
- C. Port-based IPsec VPN
- D. Policy-based IPsec VPN

Show Suggested Answer





Actual exam question from VMware's 2V0-41.23

Question #: 11

Topic #: 1

[\[All 2V0-41.23 Questions\]](#)

Which statement is true about an alarm in a Suppressed state?

- A. An alarm can be suppressed for a specific duration in hours.
- B. An alarm can be suppressed for a specific duration in seconds.
- C. An alarm can be suppressed for a specific duration in minutes.
- D. An alarm can be suppressed for a specific duration in days.

Show Suggested Answer





Actual exam question from VMware's 2V0-41.23

Question #: 12

Topic #: 1

[\[All 2V0-41.23 Questions\]](#)

What can the administrator use to identify overlay segments in an NSX environment if troubleshooting is required?

- A. VNI ID
- B. VLAN ID
- C. Segment ID
- D. Geneve ID

Show Suggested Answer





Actual exam question from VMware's 2V0-41.23

Question #: 13

Topic #: 1

[\[All 2V0-41.23 Questions\]](#)

Which two built-in VMware tools will help identify the cause of packet loss on VLAN Segments? (Choose two.)

- A. Packet Capture
- B. Live Flow
- C. Traceflow
- D. Flow Monitoring
- E. Activity monitoring

Show Suggested Answer





Actual exam question from VMware's 2V0-41.23

Question #: 14

Topic #: 1

[\[All 2V0-41.23 Questions\]](#)

What should an NSX administrator check to verify that VMware Identity Manager integration is successful?

- A. From the NSX UI the status of the VMware Identity Manager Integration must be "Enabled".
- B. From VMware Identity Manager the status of the remote access application must be green.
- C. From the NSX UI the URI in the address bar must have "local=false" part of it.
- D. From the NSX CLI the status of the VMware Identity Manager Integration must be "Configured".

Show Suggested Answer





Actual exam question from VMware's 2V0-41.23

Question #: 15

Topic #: 1

[\[All 2V0-41.23 Questions\]](#)

Which two are requirements for FQDN Analysis? (Choose two.)

- A. The NSX Edge nodes require access to the Internet to download category and reputation definitions.
- B. ESXi control panel requires access to the Internet to download category and reputation definitions.
- C. The NSX Manager requires access to the Internet to download category and reputation definitions.
- D. A layer 7 gateway firewall rule must be configured on the Tier-1 gateway uplink.
- E. A layer 7 gateway firewall rule must be configured on the Tier-0 gateway uplink.

Show Suggested Answer





Actual exam question from VMware's 2V0-41.23

Question #: 16

Topic #: 1

[\[All 2V0-41.23 Questions\]](#)

What is the VMware recommended way to deploy a virtual NSX Edge Node?

- A. Through the NSX UI
- B. Through automated or interactive mode using an ISO
- C. Through the vSphere Web Client
- D. Through the OVF command line tool

Show Suggested Answer





Actual exam question from VMware's 2V0-41.23

Question #: 17

Topic #: 1

[\[All 2V0-41.23 Questions\]](#)

An NSX administrator has deployed a single NSX Manager node and will be adding two additional nodes to form a 3-node NSX Management Cluster for a production environment. The administrator will deploy these two additional nodes and Cluster VIP using the NSX UI.

What two are the prerequisites for this configuration? (Choose two.)

- A. The cluster configuration must be completed using API.
- B. All nodes must be in separate subnets.
- C. All nodes must be in the same subnet.
- D. A compute manager must be configured.
- E. NSX Manager must reside on a Windows Server.

Show Suggested Answer





Actual exam question from VMware's 2V0-41.23

Question #: 18

Topic #: 1

[\[All 2V0-41.23 Questions\]](#)

Which CLI command shows syslog on NSX Manager?

- A. show log manager follow
- B. get log-file syslog
- C. /var/log/syslog/syslog.log
- D. get log-file auth.log

Show Suggested Answer





Actual exam question from VMware's 2V0-41.23

Question #: 19

Topic #: 1

[\[All 2V0-41.23 Questions\]](#)

Which NSX CLI command is used to change the authentication policy for local users?

- A. set auth-policy
- B. set cli-timeout
- C. get auth-policy minimum-password-length
- D. set hardening-policy

Show Suggested Answer



Actual exam question from VMware's 2V0-41.23

Question #: 20

Topic #: 1

[\[All 2V0-41.23 Questions\]](#)

What are four NSX built-in role-based access control (RBAC) roles? (Choose four.)

- A. Read
- B. Network Admin
- C. Full Access
- D. Enterprise Admin
- E. LB Operator
- F. Auditor
- G. None

Show Suggested Answer





Actual exam question from VMware's 2V0-41.23

Question #: 21

Topic #: 1

[\[All 2V0-41.23 Questions\]](#)

Which two of the following are used to configure Distributed Firewall on VDS? (Choose two.)

- A. vCenter API
- B. NSX UI
- C. NSX CLI
- D. vSphere API
- E. NSX API

Show Suggested Answer





Actual exam question from VMware's 2V0-41.23

Question #: 22

Topic #: 1

[\[All 2V0-41.23 Questions\]](#)

Which command is used to test management connectivity from a transport node to NSX Manager?

- A. esxcli network ip connection list | grep 1234
- B. esxcli network connection list | grep 1235
- C. esxcli network ip connection list | grep 1235
- D. esxcli network connection list | grep 1234

Show Suggested Answer





Actual exam question from VMware's 2V0-41.23

Question #: 23

Topic #: 1

[\[All 2V0-41.23 Questions\]](#)

What are three NSX Manager roles? (Choose three.)

- A. master
- B. manager
- C. cloud
- D. zookeeper
- E. policy
- F. controller

[Show Suggested Answer](#)



Actual exam question from VMware's 2V0-41.23

Question #: 24

Topic #: 1

[\[All 2V0-41.23 Questions\]](#)

A customer has a network where BGP has been enabled and the BGP neighbor is configured on the Tier-0 Gateway. An NSX administrator used the get gateways command to retrieve this information:

```
sa-nsxedge-01> get gateways
```

```
Logical Router
```

UUID	VRF	GW-ID	Name	Type
Ports				
736a80e3-23f6-5a2d-81d6-bbefb2786666 3	0	0		TUNNEL
B10ef54e-d5f3-49e5-99b7-8a51366d0592 SERVICE_ROUTER_TIER1 8	1	1025	SR-T1-LR-01	
5a5ddd63-3764-4d28-b82e-ee4c964a0dfd SERVICE_ROUTER_TIER0 6	3	2049	SR-T0-LR-01	
0E0784db-511f-fa72-ae0b-1ccaa0262ad2 DISTRIBUTED_ROUTER_TIER0 4	4	7	DR-T0-LR-01	

Which two commands must be executed to check BGP neighbor status? (Choose two.)

- A. vrf 3
- B. sa-nsxedge-01(tier1_sr)> get bgp neighbor
- C. vrf 4
- D. sa-nsxedge-01(tier0_dr)> get bgp neighbor
- E. vrf 1
- F. sa-nsxedge-01(tier0_sr)> get bgp neighbor

Show Suggested Answer



Actual exam question from VMware's 2V0-41.23

Question #: 25

Topic #: 1

[\[All 2V0-41.23 Questions\]](#)

HOTSPOT -

Refer to the exhibit.

Which two items must be configured to enable OSPF for the Tier-0 Gateway in the image? Mark your answers by clicking twice on the image.

Answer Area

The screenshot displays a configuration page for a Tier-0 Gateway. At the top, there are tabs for 'Name', 'HA Mode', 'Linked Tier-1 Gateways', and 'Linked Segments'. Below these is a search bar and a note: 'Max 30 allowed. Click (+) to add.' The main configuration area is organized into sections: 'INTERFACES', 'ROUTING', 'BGP' (Disabled), and 'OSPF' (Enabled). Under the 'OSPF' section, several settings are visible: 'OSPF' is toggled 'Enabled'; 'Graceful Restart' is set to 'Helper Only'; 'Route Summarization' is set to 'Set'; 'Area Definition' is set to 'Set'; 'ECMP' is toggled 'Enabled'; 'Default Route Originate' is toggled 'Disabled'; and 'OSPF Neighbors' is set to 'View'.

Show Suggested Answer



Actual exam question from VMware's 2V0-41.23

Question #: 26

Topic #: 1

[\[All 2V0-41.23 Questions\]](#)

Which CLI command is used for packet capture on the ESXi Node?

- A. debug
- B. pktcap-uw
- C. set capture
- D. tcpdump

Show Suggested Answer





Actual exam question from VMware's 2V0-41.23

Question #: 27

Topic #: 1

[\[All 2V0-41.23 Questions\]](#)

Which two CLI commands could be used to see if vmnic link status is down? (Choose two.)

- A. esxcfg-nics -1
- B. esxcfg-vmknic -1
- C. esxcli network vswitch dvs vmware list
- D. esxcfg-vmsvc/get.networks
- E. esxcli network nic list

Show Suggested Answer





Actual exam question from VMware's 2V0-41.23

Question #: 28

Topic #: 1

[\[All 2V0-41.23 Questions\]](#)

An administrator needs to download the support bundle for NSX Manager.

Where does the administrator download the log bundle from?

- A. System > Utilities > Tools
- B. System > Settings > Support Bundle
- C. System > Support Bundle
- D. System > Settings

Show Suggested Answer





Actual exam question from VMware's 2V0-41.23

Question #: 29

Topic #: 1

[\[All 2V0-41.23 Questions\]](#)

Which two statements are true for IPsec VPN? (Choose two.)

- A. VPNs can be configured on the command line interface on the NSX manager.
- B. Dynamic routing is supported for any IPsec mode in NSX.
- C. IPsec VPNs use the DPDK accelerated performance library.
- D. IPsec VPN services can be configured at Tier-0 and Tier-1 gateways.

Show Suggested Answer





Actual exam question from VMware's 2V0-41.23

Question #: 30

Topic #: 1

[\[All 2V0-41.23 Questions\]](#)

Which three DHCP Services are supported by NSX? (Choose three.)

- A. Port DHCP per VNF
- B. Segment DHCP
- C. Gateway DHCP
- D. VRF DHCP Server
- E. DHCP Relay

Show Suggested Answer





Actual exam question from VMware's 2V0-41.23

Question #: 31

Topic #: 1

[\[All 2V0-41.23 Questions\]](#)

An NSX administrator is creating a Tier-1 Gateway configured in Active-Standby High Availability Mode. In the event of node failure, the failover policy should not allow the original failed node to become the Active node upon recovery.

Which failover policy meets this requirement?

- A. Enable Preemptive
- B. Non-Preemptive
- C. Preemptive
- D. Disable Preemptive

Show Suggested Answer





Actual exam question from VMware's 2V0-41.23

Question #: 32

Topic #: 1

[\[All 2V0-41.23 Questions\]](#)

Which two statements are true about IDS Signatures? (Choose two.)

- A. Users can upload their own IDS signature definitions.
- B. An IDS signature contains data used to identify the creator of known exploits and vulnerabilities.
- C. IDS signatures can be High Risk, Suspicious, Low Risk and Trustworthy.
- D. An IDS signature contains data used to identify known exploits and vulnerabilities.
- E. An JDS signature contains a set of instructions that determine which traffic is analyzed.

Show Suggested Answer





Actual exam question from VMware's 2V0-41.23

Question #: 33

Topic #: 1

[\[All 2V0-41.23 Questions\]](#)

A company security policy requires all users to log into applications using a centralized authentication system.

Which two authentication, authorization, and accounting (AAA) systems are available when integrating NSX with VMware Identity Manager? (Choose two.)

- A. LDAP and OpenLDAP based on Active Directory (AD)
- B. RSA SecureID
- C. Keygen Enterprise
- D. SecureDAP
- E. RADIUS 2.0

Show Suggested Answer





Actual exam question from VMware's 2V0-41.23

Question #: 34

Topic #: 1

[\[All 2V0-41.23 Questions\]](#)

Which three of the following describe the Border Gateway Routing Protocol (BGP) configuration on a Tier-0 Gateway? (Choose three.)

- A. It supports a 4-byte autonomous system number.
- B. The network is divided into areas that are logical groups.
- C. Can be used as an Exterior Gateway Protocol.
- D. BGP is enabled by default.
- E. EIGRP is disabled by default.

Show Suggested Answer





Actual exam question from VMware's 2V0-41.23

Question #: 35

Topic #: 1

[\[All 2V0-41.23 Questions\]](#)

Which is an advantages of a L2 VPN in an NSX 4.x environment?

- A. Enables Multi-Cloud solutions
- B. Enables VM mobility with re-IP
- C. Achieve better performance
- D. Use the same broadcast domain

Show Suggested Answer





Actual exam question from VMware's 2V0-41.23

Question #: 36

Topic #: 1

[\[All 2V0-41.23 Questions\]](#)

Which NSX feature can be leveraged to achieve consistent policy configuration and simplicity across sites?

- A. NSX HTML5 UI
- B. Ethernet VPN
- C. VRF Lite
- D. NSX Federation

Show Suggested Answer





Actual exam question from VMware's 2V0-41.23

Question #: 37

Topic #: 1

[\[All 2V0-41.23 Questions\]](#)

Which two choices are use cases for Distributed Intrusion Detection? (Choose two.)

- A. Identify risk and reputation of accessed websites.
- B. Quarantine workloads based on vulnerabilities.
- C. Gain insight about micro-segmentation traffic flows.
- D. Identify security vulnerabilities in the workloads.
- E. Use agentless antivirus with Guest Introspection.

Show Suggested Answer





Actual exam question from VMware's 2V0-41.23

Question #: 38

Topic #: 1

[\[All 2V0-41.23 Questions\]](#)

Which command is used to set the NSX Manager's logging-level to debug mode for troubleshooting?

- A. set service manager logging-level debug
- B. set service nsx-manager logging-level debug
- C. set service nsx-manager log-level debug
- D. set service manager log-level debug

Show Suggested Answer





Actual exam question from VMware's 2V0-41.23

Question #: 39

Topic #: 1

[\[All 2V0-41.23 Questions\]](#)

What are two valid BGP Attributes that can be used to influence the route path traffic will take? (Choose two.)

- A. AS-Path Prepend
- B. Cost
- C. BFD
- D. MED

Show Suggested Answer





Actual exam question from VMware's 2V0-41.23

Question #: 40

Topic #: 1

[\[All 2V0-41.23 Questions\]](#)

What must be configured on Transport Nodes for encapsulation and decapsulation of Geneve protocol?

- A. STT
- B. TEP
- C. UDP
- D. VXLAN

Show Suggested Answer





Actual exam question from VMware's 2V0-41.23

Question #: 41

Topic #: 1

[\[All 2V0-41.23 Questions\]](#)

An NSX administrator would like to export syslog events that capture messages related to NSX host preparation events. Which message ID (msgid) should be used in the syslog export configuration command as a filter?

- A. MONITORING
- B. GROUPING
- C. FABRIC
- D. SYSTEM

Show Suggested Answer



Actual exam question from VMware's 2V0-41.23

Question #: 42

Topic #: 1

[\[All 2V0-41.23 Questions\]](#)

HOTSPOT -

Refer to the exhibit.

An administrator configured NSX Advanced Load Balancer to redistribute the traffic between the web servers. However, requests are sent to only one server.

Which of the following pool configuration settings needs to be adjusted to resolve the problem? Mark the correct answer by clicking on the image.

Answer Area

EDIT POOL

web-pool

General

Servers

Health Monitor

Profiles/Policies

SSL

Fail Action

RBAC

General

Enable Pool ⓘ

Name* ⓘ

web-pool

Description ⓘ

Description

Cloud

nsxcloud

VRF Context ⓘ

Prod-T1-GW-01

Default Server Port ⓘ

80

Load Balance Algorithm ⓘ

Consistent Hash

Type ⓘ

Source IP Address

Show Suggested Answer





Actual exam question from VMware's 2V0-41.23

Question #: 43

Topic #: 1

[\[All 2V0-41.23 Questions\]](#)

Which of the two following characteristics about NAT64 are true? (Choose two.)

- A. NAT64 is stateless and requires gateways to be deployed in active-standby mode.
- B. NAT64 is supported on Tier-1 gateways only.
- C. NAT64 is supported on Tier-0 and Tier-1 gateways.
- D. NAT64 requires the Tier-1 gateway to be configured in active-standby mode.
- E. NAT64 requires the Tier-1 gateway to be configured in active-active mode.

Show Suggested Answer



Actual exam question from VMware's 2V0-41.23

Question #: 44

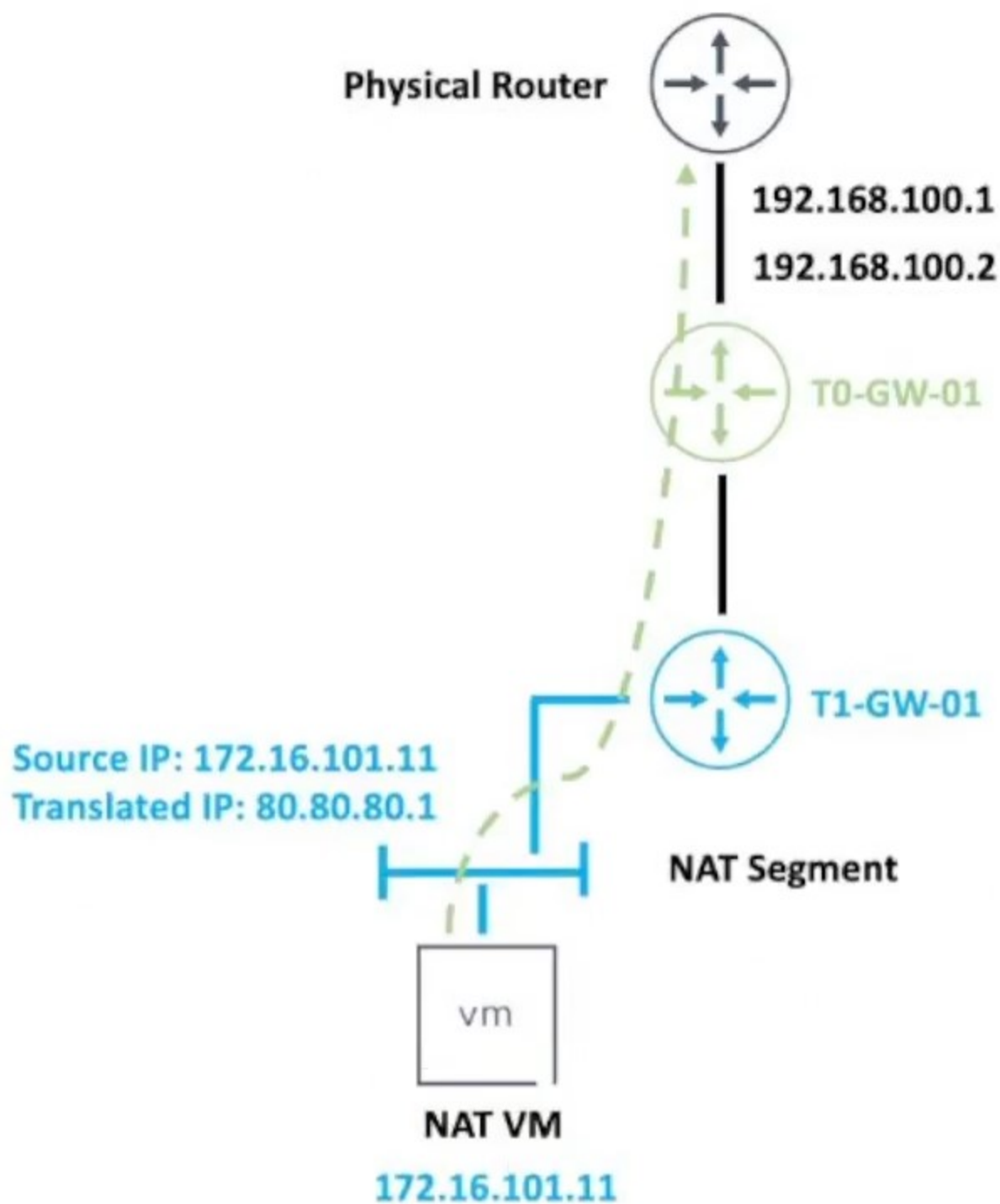
Topic #: 1

[\[All 2V0-41.23 Questions\]](#)

Refer to the exhibit.

An administrator would like to change the private IP address of the NAT VM 172.16.101.11 to a public address of 80.80.80.1 as the packets leave the NAT-Segment network.

Which type of NAT solution should be implemented to achieve this?



- A. DNAT
- B. Reflexive NAT
- C. NAT64
- D. SNAT

Show Suggested Answer

Actual exam question from VMware's 2V0-41.23

Question #: 45

Topic #: 1

[\[All 2V0-41.23 Questions\]](#)

DRAG DROP -

Refer to the exhibits.

Drag and drop the NSX graphic element icons on the left found in an NSX Intelligence visualization graph to its correct description on the right.



Answer Area

This icon represents a physical server that is part of your NSX environment. A physical server can belong to more than one group

This icon represents a group on which security policies, including East-West firewall rules, can be applied. A group can be a collection of VMs, physical servers, or sets of IP addresses

This is the icon for the public IP addresses on the Internet. If at least one compute entity in your NSX environment communicated with a public IP address during the selected time period, that traffic flow is included in the current visualization.

This is the icon used for a virtual machine (VM) that is part of your NSX environment. A VM can belong to more than one group

Show Suggested Answer



Actual exam question from VMware's 2V0-41.23

Question #: 46

Topic #: 1

[\[All 2V0-41.23 Questions\]](#)

Which two logical router components span across all transport nodes? (Choose two.)

- A. DISTRIBUTED_ROUTER_TIER1
- B. TIER0_DISTRIBUTED_ROUTER
- C. SERVICE_ROUTER_TIER0
- D. DISTRIBUTED_ROUTER_TIER0
- E. SERVICE_ROUTER_TIER1

Show Suggested Answer





Actual exam question from VMware's 2V0-41.23

Question #: 47

Topic #: 1

[\[All 2V0-41.23 Questions\]](#)

Which CLI command does an NSX administrator run on the NSX Manager to generate support bundle logs if the NSX UI is inaccessible?

- A. `esxcli system syslog config logger set --id=nsxmanager`
- B. `get support-bundle file vcpnv.tgz`
- C. `vm-support`
- D. `set support-bundle file vcpnv.tgz`

Show Suggested Answer





Actual exam question from VMware's 2V0-41.23

Question #: 48

Topic #: 1

[\[All 2V0-41.23 Questions\]](#)

NSX improves the security of today's modern workloads by preventing lateral movement, which feature of NSX can be used to achieve this?

- A. Virtual Security Zones
- B. Network Segmentation
- C. Edge Firewalling
- D. Dynamic Routing

Show Suggested Answer





Actual exam question from VMware's 2V0-41.23

Question #: 49

Topic #: 1

[\[All 2V0-41.23 Questions\]](#)

Which three selections are capabilities of Network Topology? (Choose three.)

- A. Display the uplinks configured on the Tier-1 Gateways.
- B. Display how the different NSX components are interconnected.
- C. Display the VMs connected to Segments.
- D. Display the uplinks configured on the Tier-0 Gateways.
- E. Display how the Physical components are interconnected.

Show Suggested Answer





Actual exam question from VMware's 2V0-41.23

Question #: 50

Topic #: 1

[\[All 2V0-41.23 Questions\]](#)

Which TraceFlow traffic type should an NSX administrator use for validating connectivity between App and DB virtual machines that reside on different segments?

- A. Multicast
- B. Anycast
- C. Broadcast
- D. Unicast

Show Suggested Answer





Actual exam question from VMware's 2V0-41.23

Question #: 51

Topic #: 1

[\[All 2V0-41.23 Questions\]](#)

When a stateful service is enabled for the first time on a Tier-0 Gateway, what happens on the NSX Edge node?

- A. SR and DR is instantiated but requires manual connection.
- B. SR is instantiated and automatically connected with DR.
- C. DR is instantiated and automatically connected with SR.
- D. SR and DR doesn't need to be connected to provide any stateful services.

Show Suggested Answer





Actual exam question from VMware's 2V0-41.23

Question #: 52

Topic #: 1

[\[All 2V0-41.23 Questions\]](#)

How is the RouterLink port created between a Tier-1 Gateway and Tier-0 Gateway?

- A. Manually create a Segment and connect to both Tier-1 and Tier-0 Gateways.
- B. Automatically created when Tier-1 is created.
- C. Manually create a Logical Switch and connect to both Tier-1 and Tier-0 Gateways.
- D. Automatically created when Tier-1 is connected with Tier-0 from NSX UI.

Show Suggested Answer



Actual exam question from VMware's 2V0-41.23

Question #: 53

Topic #: 1

[\[All 2V0-41.23 Questions\]](#)

Where does an administrator configure the VLANs used in VRF Lite? (Choose two.)

- A. uplink interface of the default Tier-0 gateway
- B. uplink trunk segment
- C. uplink interface of the VRF gateway
- D. downlink interface of the default Tier-0 gateway
- E. segment connected to the Tier-1 gateway

Show Suggested Answer





Actual exam question from VMware's 2V0-41.23

Question #: 54

Topic #: 1

[\[All 2V0-41.23 Questions\]](#)

Which is the only supported mode in NSX Global Manager when using Federation?

- A. Controller
- B. Proxy
- C. Policy
- D. Proton

Show Suggested Answer



Actual exam question from VMware's 2V0-41.23

Question #: 55

Topic #: 1

[\[All 2V0-41.23 Questions\]](#)

An administrator has been tasked with implementing the SSL certificates for the NSX Manager Cluster VIP.

Which is the correct way to implement this change?

- A. Send an API call to `https://<nsx-mgr>/api/v1/cluster/api-certificate? action=set_cluster_certificate&certificate_id=<certificate_id>`
- B. Send an API call to `https://<nsx-mgr>/api/v1/node/services/http? action=apply_certificate&certificate_id=<certificate_id>`
- C. SSH as admin into the NSX manager with the cluster VIP IP and run `nsxcli cluster certificate vip install <certificate_id>`
- D. SSH as admin into the NSX manager with the cluster VIP IP and run `nsxcli cluster certificate node install <certificate_id>`

Show Suggested Answer





Actual exam question from VMware's 2V0-41.23

Question #: 56

Topic #: 1

[\[All 2V0-41.23 Questions\]](#)

Which three data collection sources are used by NSX Network Detection and Response to create correlations/intrusion campaigns? (Choose three.)

- A. Distributed Firewall flow data from the ESXi hosts
- B. East-West anti-malware events from the ESXi hosts
- C. Files and anti-malware file events from the NSX Edge nodes and the Security Analyzer
- D. IDS/IPS events from the ESXi hosts and NSX Edge nodes
- E. Suspicious Traffic Detection events from NSX Intelligence

Show Suggested Answer





Actual exam question from VMware's 2V0-41.23

Question #: 57

Topic #: 1

[\[All 2V0-41.23 Questions\]](#)

Which command on ESXi is used to verify the Local Control Plane connectivity with Central Control Plane?

- A. esxcli network ip connection list | grep 1235
- B. esxcli network ip connection list | grep ccpd
- C. esxcli network ip connection list | grep netcpa
- D. esxcli network ip connection list | grep 1234

Show Suggested Answer





Actual exam question from VMware's 2V0-41.23

Question #: 58

Topic #: 1

[\[All 2V0-41.23 Questions\]](#)

Which troubleshooting step will resolve an error with code 1001 during the configuration of a time-based firewall rule?

- A. Changing the time zone on the ESXi host.
- B. Re-installing the NSX VIBs on the ESXi host.
- C. Restarting the NTPservice on the ESXi host.
- D. Reconfiguring the ESXi host with a local NTP server.

Show Suggested Answer





Actual exam question from VMware's 2V0-41.23

Question #: 59

Topic #: 1

[\[All 2V0-41.23 Questions\]](#)

Which VMware GUI tool is used to identify problems in a physical network?

- A. VMware Site Recovery Manager
- B. VMware Aria Automation
- C. VMware Aria Operations Networks
- D. VMware Aria Orchestrator

Show Suggested Answer





Actual exam question from VMware's 2V0-41.23

Question #: 60

Topic #: 1

[\[All 2V0-41.23 Questions\]](#)

What are two valid options when configuring the scope of a distributed firewall rule? (Choose two.)

- A. Segment Port
- B. DFW
- C. Tier-1 Gateway
- D. Segment
- E. Group

Show Suggested Answer





Actual exam question from VMware's 2V0-41.23

Question #: 61

Topic #: 1

[\[All 2V0-41.23 Questions\]](#)

An NSX administrator wants to create a Tier-0 Gateway to support equal cost multi-path (ECMP) routing. Which failover detection protocol must be used to meet this requirement?

- A. Beacon Probing (BP)
- B. Bidirectional Forwarding Detection (BFD)
- C. Virtual Router Redundancy Protocol (VRRP)
- D. Host Standby Router Protocol (HSRP)

Show Suggested Answer



Actual exam question from VMware's 2V0-41.23

Question #: 62

Topic #: 1

[\[All 2V0-41.23 Questions\]](#)

A company is deploying NSX micro-segmentation in their vSphere environment to secure a simple application composed of web, app, and database tiers.
The naming convention will be:

WKS-WEB-SRV-XXX -

WKY-APP-SRR-XXX -

WKI-DB-SRR-XXX -

What is the optimal way to group them to enforce security policies from NSX?

- A. Use Edge as a firewall between tiers.
- B. Group all by means of tags membership.
- C. Create an Ethernet based security policy.
- D. Do a service insertion to accomplish the task.

Show Suggested Answer



Actual exam question from VMware's 2V0-41.23

Question #: 63

Topic #: 1

[\[All 2V0-41.23 Questions\]](#)

An NSX administrator is creating a NAT rule on a Tier-0 Gateway configured in active-standby high availability mode.
Which two NAT rule types are supported for this configuration? (Choose two.)

- A. Destination NAT
- B. Reflexive NAT
- C. Port NAT
- D. Source NAT
- E. 1:1 NAT

Show Suggested Answer





Actual exam question from VMware's 2V0-41.23

Question #: 64

Topic #: 1

[\[All 2V0-41.23 Questions\]](#)

Which choice is a valid insertion point for North-South network introspection?

- A. Tier-0 gateway
- B. Host Physical NIC
- C. Guest VM vNIC
- D. Partner SVM

Show Suggested Answer



Actual exam question from VMware's 2V0-41.23

Question #: 65

Topic #: 1

[\[All 2V0-41.23 Questions\]](#)

Where in the NSX UI would an administrator set the time attribute for a time-based Gateway Firewall rule?

- A. There is no option in the NSX UI. It must be done via command line interface.
- B. The option to set time-based rule is a clock icon in the policy.
- C. The option to set time-based rule is a field in the rule itself.
- D. The option to set time-based rule is a clock icon in the rule.

Show Suggested Answer



Actual exam question from VMware's 2V0-41.23

Question #: 66

Topic #: 1

[\[All 2V0-41.23 Questions\]](#)

When configuring OSPF on a Tier-0 Gateway, which three of the following must match in order to establish a neighbor relationship with an upstream router? (Choose three.)

- A. Address of the neighbor
- B. Subnet mask
- C. MTU of the Uplink
- D. Protocol and Port
- E. Area ID
- F. Naming convention

Show Suggested Answer



Actual exam question from VMware's 2V0-41.23

Question #: 67

Topic #: 1

[\[All 2V0-41.23 Questions\]](#)

Which two of the following features are supported for the Standard NSX Application Platform Deployment? (Choose two.)

- A. NSX Network Detection and Response
- B. NSX Intelligence
- C. NSX Malware Prevention Metrics
- D. NSX Intrinsic Security
- E. NSX Intrusion Detection and Prevention

[Show Suggested Answer](#)





Actual exam question from VMware's 2V0-41.23

Question #: 68

Topic #: 1

[\[All 2V0-41.23 Questions\]](#)

Which three NSX Edge components are used for North-South Malware Prevention? (Choose three.)

- A. IDS/IPS
- B. Security Analyzer
- C. Reputation Service
- D. RAPID
- E. Thin Agent
- F. Security Hub

Show Suggested Answer





Actual exam question from VMware's 2V0-41.23

Question #: 70

Topic #: 1

[\[All 2V0-41.23 Questions\]](#)

Which two commands does an NSX administrator use to check the IP address of the VMkernel port for the Geneve protocol on the ESXi transport node? (Choose two.)

- A. net-dvs
- B. esxcli network ip interface ipv4 get
- C. esxcfg-vmknic -1
- D. esxcfg-nics -1
- E. esxcli network nic list

Show Suggested Answer





Actual exam question from VMware's 2V0-41.23

Question #: 71

Topic #: 1

[\[All 2V0-41.23 Questions\]](#)

Where is the insertion point for East-West network introspection?

- A. Guest VM vNIC
- B. Partner SVM
- C. Tier-0 router
- D. Host Physical NIC

Show Suggested Answer

