



Actual exam question from Cisco's 200-901

Question #: 1

Topic #: 1

[\[All 200-901 Questions\]](#)

Which two concepts describe test-driven development? (Choose two.)

- A. User acceptance testers develop the test requirements.
- B. It enables code refactoring.
- C. Tests are created when code is ready for release.
- D. Implementation is driven by incremental testing of release candidates.
- E. Write a test before writing code.

Show Suggested Answer





Actual exam question from Cisco's 200-901

Question #: 2

Topic #: 1

[\[All 200-901 Questions\]](#)

Which task is performed because the test-driven development approach is being used?

- A. creating test scenarios based on continuous development
- B. writing code without committing any coding violations
- C. refactoring code that is covered by existing tests
- D. testing existing software before developing new code

Show Suggested Answer





Actual exam question from Cisco's 200-901

Question #: 3

Topic #: 1

[\[All 200-901 Questions\]](#)

What is the first development task in test-driven development?

- A. Write code that implements a desired function.
- B. Write a failing test case for a desired function.
- C. Reverse engineer the code for a desired function.
- D. Write a passing test case for existing code.

Show Suggested Answer



Actual exam question from Cisco's 200-901

Question #: 4

Topic #: 1

[\[All 200-901 Questions\]](#)

In test-driven development, what are two of the green bar patterns? (Choose two.)

- A. another test
- B. break
- C. triangulate
- D. starter test
- E. fake it

Show Suggested Answer





Actual exam question from Cisco's 200-901

Question #: 5

Topic #: 1

[\[All 200-901 Questions\]](#)

In the test-driven development model, what is changed after a test fails?

- A. schedule
- B. project requirements
- C. code
- D. test

Show Suggested Answer





Actual exam question from Cisco's 200-901

Question #: 6

Topic #: 1

[\[All 200-901 Questions\]](#)

What is a benefit of test-driven development?

- A. strict adherence to product requirements
- B. faster releases that have minimal features
- C. early customer involvement
- D. increased code quality

Show Suggested Answer





Actual exam question from Cisco's 200-901

Question #: 7

Topic #: 1

[\[All 200-901 Questions\]](#)

Which two statements describe the advantages of using a version control system? (Choose two.)

- A. It allows for branching and merging so that different tasks are worked on in isolation before they are merged into a feature or master branch.
- B. It provides tooling to automate application builds and infrastructure provisioning.
- C. It allows multiple engineers to work against the same code and configuration files and manage differences and conflicts.
- D. It provides a system to track User Stories and allocate to backlogs.
- E. It allows developers to write effective unit tests.

Show Suggested Answer





Actual exam question from Cisco's 200-901

Question #: 8

Topic #: 1

[\[All 200-901 Questions\]](#)

What are two advantages of version control software? (Choose two.)

- A. It supports tracking and comparison of changes in binary format files.
- B. It allows new team members to access the current code and history.
- C. It supports comparisons between revisions of source code files.
- D. It provides wiki collaboration software for documentation.
- E. It allows old versions of packaged applications to be hosted on the Internet.

Show Suggested Answer





Actual exam question from Cisco's 200-901

Question #: 9

Topic #: 1

[\[All 200-901 Questions\]](#)

Before which process is code review performed when version control is used?

- A. checkout of code
- B. merge of code
- C. committing code
- D. branching code

Show Suggested Answer





Actual exam question from Cisco's 200-901

Question #: 10

Topic #: 1

[\[All 200-901 Questions\]](#)

What is an advantage of a version control system?

- A. facilitates resolving conflicts when merging code
- B. ensures that unit tests are written
- C. prevents over-writing code or configuration files
- D. forces the practice of trunk-based development

Show Suggested Answer



Actual exam question from Cisco's 200-901

Question #: 11

Topic #: 1

[\[All 200-901 Questions\]](#)

Refer to the exhibit.

```
json_string = """
{
    "researcher": {
        "name": "Ford Perfect",
        "species": "Betelgeusian",
        "relatives": [
            {
                "name": "Zaphod Beeblebrox",
                "species": "Betelgeusian"
            }
        ]
    }
}
"""

my_json = json.loads(json_string)
```

Which Python data structure does my_json contain?

- A. map
- B. list
- C. json
- D. dict

Show Suggested Answer



Actual exam question from Cisco's 200-901

Question #: 12

Topic #: 1

[\[All 200-901 Questions\]](#)

When a Cisco IOS XE networking device is configured using RESTCONF, what is the default data-encoding method?

- A. JSON
- B. YAML
- C. XML
- D. x-form-encoding

Show Suggested Answer



Actual exam question from Cisco's 200-901

Question #: 13

Topic #: 1

[\[All 200-901 Questions\]](#)

Refer to the exhibit.

```
<books>
  <science>
    <biology>10.00</biology>
    <geology>9.00</geology>
  </science>
  <math>
    <calculus>20.00</calculus>
  </math>
</books>
```

Which JSON is equivalent to the XML-encoded data?

A.

```
[ {
  "books": {
    "science": {
      "biology": "10.00",
      "geology": "9.00",
    },
    "math": {
      "calculus": "20.00",
    }
  }
} ]
```

B.

```
{
  "books": {
    "science": {
      "biology": "10.00",
      "geology": "9.00",
    },
    "math": {
      "calculus": "20.00",
    }
  }
}
```

C.

```
{
  "books": [
    "science": {
      "biology": "10.00",
      "geology": "9.00",
    },
    "math": {
      "calculus": "20.00",
    }
  ]
}
```

D.

```
{
  "books": [
    "science", {
      "biology": "10.00",
      "geology": "9.00",
    },
    "math", {
      "calculus": "20.00",
    }
  ]
}
```

Show Suggested Answer





Actual exam question from Cisco's 200-901

Question #: 14

Topic #: 1

[\[All 200-901 Questions\]](#)

FILL BLANK -

Fill in the blanks to complete the Python script to request a service ticket using the APIC-EM REST API for the user `devnetuser`.

```
import requests
import json
controller = 'devnetapi.cisco.com/sandbox/apic_em'
url = `https://` + controller + `api/va/ticket`
payload = {'username': '_____', 'password': '370940885'}
header = {'Content-type': 'application.json'}
response = _____post(url, data=json.dumps(payload), \ headers= _____, verify=False)
r_json = response.json()
print(r_json)
ticket = r_json['response']['serviceTicket']
print(ticket)
```

Show Suggested Answer



Actual exam question from Cisco's 200-901

Question #: 15

Topic #: 1

[\[All 200-901 Questions\]](#)

Which two statements about JSON and XML are true? (Choose two.)

- A. The syntax of JSON contains tags, elements, and attributes.
- B. XML objects are collections of key-value pairs.
- C. JSON objects are collections of key-value pairs.
- D. JSON arrays are an unordered set of key-value pairs.
- E. The syntax of XML contains tags, elements, and attributes.

Show Suggested Answer





Actual exam question from Cisco's 200-901

Question #: 16

Topic #: 1

[\[All 200-901 Questions\]](#)

Which statement describes the benefit of using functions in programming?

- A. Functions ensure that a developer understands the inner logic contained before using them as part of a script or application.
- B. Functions create the implementation of secret and encrypted algorithms.
- C. Functions allow problems to be split into simpler, smaller groups, and reduce code repetition, which makes the code easier to read.
- D. Functions store mutable values within a script or application.

Show Suggested Answer



Actual exam question from Cisco's 200-901

Question #: 17

Topic #: 1

[\[All 200-901 Questions\]](#)

Refer to the exhibit.

```
$ diff -u5 fish.py cat.py
--- fish.py      2020-01-02 09:41:02.840000000 +0100
+++ cat.py      2020-01-02 09:41:06.8859999800 +0100
@@ -160,11 +160,12 @@

    @single_request_timeout.setter
    def single_request_timeout(self, value):
        """The timeout (seconds) for a single HTTP REST API request."""
        check_type(value, int, optional=True)
-       assert value is None or value > 0
+       if value is not None and value <= 0:
+           raise ValueError("single_request_timeout must be positive integer")
        self._single_request_timeout = value

    @property
    def wait_on_rate_limit(self)
        """Automatic rate-limit handling.
```

The output of a unified diff when comparing two versions of a Python script is shown. Which two `single_request_timeout()` functions are defined in fish.py and cat.py? (Choose two.)

A.

```
file: cat.py

160
161     @single_request_timeout.setter
162     def single_request_timeout(self, value):
163         """The timeout (seconds) for a single HTTP REST API request."""
164         check_type(value, int, optional=True)
165         assert value is None or value > 0
166         if value is not None and value <= 0:
167             raise ValueError("single_request_timeout must be positive integer")
168         self._single_request_timeout = value
169
```

B.

```
file: fish.py

160
161     @single_request_timeout.setter
162     def single_request_timeout(self, value):
163         """The timeout (seconds) for a single HTTP REST API request."""
164         check_type(value, int, optional=True)
165         assert value is None or value > 0
166         self._single_request_timeout = value
167
```

C.

```
file: cat.py

160
161     @single_request_timeout.setter
162     def single_request_timeout(self, value):
163         """The timeout (seconds) for a single HTTP REST API request."""
164         check_type(value, int, optional=True)
165         if value is not None and value <= 0:
166             raise ValueError("single_request_timeout must be positive integer")
167         self._single_request_timeout = value
168
169
```

D.

```
file: fish.py

160
161     @single_request_timeout.setter
162     def single_request_timeout(self, value):
163         """The timeout (seconds) for a single HTTP REST API request."""
164         check_type(value, int, optional=True)
165         self._single_request_timeout = value
```

E.

```
file: cat.py

172
173     @single_request_timeout.setter
174     def single_request_timeout(self, value):
175         """The timeout (seconds) for a single HTTP REST API request."""
176         check_type(value, int, optional=True)
177         if value is not None and value <= 0:
178             raise ValueError("single_request_timeout must be positive integer")
179         self._single_request_timeout = value
180
```



Actual exam question from Cisco's 200-901

Question #: 18

Topic #: 1

[\[All 200-901 Questions\]](#)

What is a benefit of organizing code into modules?

- A. reduces the length of code
- B. enables code to be multifunctional
- C. enables the reuse of code
- D. improves overall performance

Show Suggested Answer





Actual exam question from Cisco's 200-901

Question #: 19

Topic #: 1

[\[All 200-901 Questions\]](#)

What is a benefit of organizing code into modules?

- A. enables the code to be broken down into layers
- B. improves collaboration of the development team
- C. makes it easier to deal with large and complex systems
- D. enables the inclusion of more programming languages in the code

Show Suggested Answer





Actual exam question from Cisco's 200-901

Question #: 20

Topic #: 1

[\[All 200-901 Questions\]](#)

What is the Git command to delete a local branch named `experiment` without a warning?

- A. `git branch -rm experiment`
- B. `git branch -n experiment`
- C. `git branch -f experiment`
- D. `git branch -D experiment`

Show Suggested Answer





Actual exam question from Cisco's 200-901

Question #: 21

Topic #: 1

[\[All 200-901 Questions\]](#)

What is the outcome of executing this command?

```
git clone ssh:/john@example.com/path/to/my-project.git
```

- A. creates a local copy of a repository called `my-project`
- B. initiates a new Git repository called `my-project`
- C. creates a copy of a branch called `my-project`
- D. creates a new branch called `my-project`

Show Suggested Answer





Actual exam question from Cisco's 200-901

Question #: 22

Topic #: 1

[\[All 200-901 Questions\]](#)

Which action does the Git command `git merge` allow the developer to perform?

- A. Combine multiple sequences of commits into one unified history
- B. Push changes to the remote repository
- C. Create, list, rename, and delete branches
- D. Switch between branches

Show Suggested Answer





Actual exam question from Cisco's 200-901

Question #: 23

Topic #: 1

[\[All 200-901 Questions\]](#)

How does a developer create and switch to a new branch called `my-bug-fix` to develop a product fix?

- A. `git checkout -b my-bug-fix`
- B. `git branch -b my-bug-fix`
- C. `git branch my-bug-fix`
- D. `git checkout my-bug-fix`

Show Suggested Answer



Actual exam question from Cisco's 200-901

Question #: 24

Topic #: 1

[\[All 200-901 Questions\]](#)

DRAG DROP -

Drag and drop the Git commands from the left onto the right that add modified local files to a remote repository. Not all options are used.

Select and Place:

git push

git add .

git checkout -b "new branch"

git commit -m "this is my edit"

git pull

step 1

step 2

step 3

Show Suggested Answer





Actual exam question from Cisco's 200-901

Question #: 25

Topic #: 1

[\[All 200-901 Questions\]](#)

A developer needs to prepare the file README.md in the working tree for the next commit operation using Git. Which command needs to be used to accomplish this?

- A. `git -a README.md`
- B. `git add README.md`
- C. `git add README.md staging`
- D. `git commit README.md`

Show Suggested Answer





Actual exam question from Cisco's 200-901

Question #: 26

Topic #: 1

[\[All 200-901 Questions\]](#)

A developer is reviewing a code that was written by a colleague. It runs fine, but there are many lines of code to do a seemingly simple task repeatedly. Which action organizes the code?

- A. Refactor the code by removing any unnecessary tests.
- B. Reverse engineer and rewrite the code logic.
- C. Using functions, rewrite any pieces of code that are repeated.
- D. Modify the code to use loops.

Show Suggested Answer





Actual exam question from Cisco's 200-901

Question #: 27

Topic #: 1

[\[All 200-901 Questions\]](#)

Which principle is a value from the manifesto for Agile software development?

- A. processes and tools over teams and interactions
- B. detailed documentation over working software
- C. adhering to a plan over responding to requirements
- D. customer collaboration over contract negotiation

Show Suggested Answer





Actual exam question from Cisco's 200-901

Question #: 28

Topic #: 1

[\[All 200-901 Questions\]](#)

Which advantage does the agile process offer compared to waterfall software development?

- A. to add or update features with incremental delivery
- B. to view the full scope of end-to-end work
- C. to have each phase end before the next begins
- D. to fix any issues at the end of the development cycle

Show Suggested Answer





Actual exam question from Cisco's 200-901

Question #: 29

Topic #: 1

[\[All 200-901 Questions\]](#)

How do XML and JSON compare regarding functionality?

- A. XML provides more support for mapping data structures into host languages than JSON.
- B. XML provides more human readability than JSON.
- C. JSON provides less support for data types than XML.
- D. JSON natively supports arrays and XML does not natively support arrays.

Show Suggested Answer





Actual exam question from Cisco's 200-901

Question #: 30

Topic #: 1

[\[All 200-901 Questions\]](#)

What are two principles of an infrastructure as code environment? (Choose two.)

- A. Components are coupled, and definitions must be deployed for the environment to function.
- B. Redeployments cause varying environment definitions.
- C. Environments must be provisioned consistently using the same inputs.
- D. Service overlap is encouraged to cater for unique environment needs.
- E. Complete complex systems must be able to be built from reusable infrastructure definitions.

Show Suggested Answer





Actual exam question from Cisco's 200-901

Question #: 31

Topic #: 1

[\[All 200-901 Questions\]](#)

Which two encoding formats do YANG interfaces support? (Choose two.)

- A. XML
- B. JSON
- C. XHTML
- D. BER
- E. plain text

Show Suggested Answer



Actual exam question from Cisco's 200-901

Question #: 32

Topic #: 1

[\[All 200-901 Questions\]](#)

Refer to the exhibit.

```
{
  "items": [{
    "kind": "object#NetworkObj",
    "selfLink": "https://10.201.230.5/api/objects/networkobjects/db01",
    "name": "db01",
    "host": {
      "kind": "IPv4address",
      "value": "172.16.0.11"
    },
    "objectId": "db01"
  }]
}
```

The JSON data in the exhibit has been parsed and stored into a variable `data`. What returns the value `172.16.0.11`?

- A. `data['items']['host']['value']`
- B. `data['items'][1]['host']['value']`
- C. `data['items'][0]['host']['value']`
- D. `data['items']['host'][1]`

Show Suggested Answer

Actual exam question from Cisco's 200-901

Question #: 33

Topic #: 1

[\[All 200-901 Questions\]](#)

Refer to the exhibit.

```
def get_result()

    url = "https://sandboxdnac.cisco.com/dna/system/api/v1/auth/token"

    resp = requests.post(url, auth=HTTPBasicAuth(DNAC_USER, DNAC_PASSWORD))

    result = resp.json()['Token']

    return result
```

What does the Python function do?

- A. It returns HTTP Basic Authentication.
- B. It returns DNAC user and password.
- C. It reads a token from a local JSON file and posts the token to the DNAC URL.
- D. It returns an authorization token.

Show Suggested Answer

Actual exam question from Cisco's 200-901

Question #: 34

Topic #: 1

[\[All 200-901 Questions\]](#)

Package updates from a local server fail to download. However, the same updates work when a much slower external repository is used. Why are local updates failing?

- A. The server is running out of disk space.
- B. The Internet connection is too slow.
- C. The Internet is down at the moment, which causes the local server to not be able to respond.
- D. The update utility is trying to use a proxy to access the internal resource.

Show Suggested Answer





Actual exam question from Cisco's 200-901

Question #: 35

Topic #: 1

[\[All 200-901 Questions\]](#)

What is a functionality of the Waterfall method as compared to the Agile method for software development?

- A. Waterfall increases agility to implement faster while Agile promotes reliability.
- B. A phase begins after the previous phase has ended in Waterfall while Agile phases run in parallel.
- C. Customers get feedback during the process in Waterfall while they can see the result at the end in Agile.
- D. Requirements can be updated in Waterfall while in Agile it should be gathered in the beginning.

Show Suggested Answer





Actual exam question from Cisco's 200-901

Question #: 36

Topic #: 1

[\[All 200-901 Questions\]](#)

What is a benefit of using functions in the code for the development process?

- A. better user experience in the end product
- B. improves code performance
- C. easier to compile the code
- D. faster code development

Show Suggested Answer





Actual exam question from Cisco's 200-901

Question #: 37

Topic #: 1

[\[All 200-901 Questions\]](#)

What is the difference between YAML and JSON data structure?

- A. YAML uses spaces; JSON uses parentheses
- B. YAML uses indentation; JSON uses brackets and braces
- C. YAML uses brackets and braces; JSON uses indentation
- D. YAML uses parentheses; JSON uses spaces

Show Suggested Answer





Actual exam question from Cisco's 200-901

Question #: 38

Topic #: 1

[\[All 200-901 Questions\]](#)

A developer is working on a feature for a new application. The changes in the existing branch named 'feat00304' must be integrated into a single commit with the current working primary branch named 'prodapp411926287'. Which git command must be used?

- A. git rebase --merge feat00304
- B. git merge --squash feat00304
- C. git push --rebase feat00304
- D. git checkout --squash feat00304

Show Suggested Answer





Actual exam question from Cisco's 200-901

Question #: 39

Topic #: 1

[\[All 200-901 Questions\]](#)

A file that already exists in a local repository is updated. Which command must be executed to ensure that the changes in the file are included in the next Git commit?

- A. git update
- B. git merge
- C. git add
- D. git rebase

Show Suggested Answer





Actual exam question from Cisco's 200-901

Question #: 40

Topic #: 1

[\[All 200-901 Questions\]](#)

Into which type of Python data structure should common data formats be parsed?

- A. sequence
- B. set
- C. dictionary
- D. list

Show Suggested Answer





Actual exam question from Cisco's 200-901

Question #: 41

Topic #: 1

[\[All 200-901 Questions\]](#)

Several teams at a company are developing a new CRM solution to track customer interactions with a goal of improving customer satisfaction and driving higher revenue.

The proposed solution contains these components:

- * MySQL database that stores data about customers
- * HTML5 and JavaScript UI that runs on Apache
- * REST API written in Python

What are two advantages of applying the MVC design pattern to the development of the solution? (Choose two.)

- A. to enable multiple views of the same data to be presented to different groups of users
- B. to provide separation between the view and the model by ensuring that all logic is separated out into the controller
- C. to ensure data consistency, which requires that changes to the view are also made to the model
- D. to ensure that only one instance of the data model can be created
- E. to provide only a single view of the data to ensure consistency

Show Suggested Answer



Actual exam question from Cisco's 200-901

Question #: 42

Topic #: 1

[\[All 200-901 Questions\]](#)

```

module ietf-interface {
  namespace "urn:ietf:params:xml:ns:yang:ietf-interfaces";
  prefix if;
  import ietf-yang-types {
    prefix yang;
  }
  container interfaces-state {
    list interface {
      key "name";
      leaf name {
        type string;
      }
      leaf admin-status {
        type enumeration {
          enum up {
            value 1;
          }
          enum down {
            value 2;
          }
          enum testing {
            value 3;
          }
        }
      }
      leaf if-index {
        type int32 {
          range "1..2147483647"
        }
      }
      container statistics {
        leaf in-octets {
          type yang:counter64;
        }
        leaf in-unicast-pkts {
          type yang:counter64;
        }
      }
    }
  }
}

```

Refer to the exhibit. Which XML snippet has interface information that conforms to the YANG model?

A.

```

<interfaces-state
xmlns="urn:ietf:params:xml:ns:yang:ietf-interfaces"
xmlns:if="urn:ietf:params:xml:ns:yang:ietf-interfaces">
  <interface name="GigabitEthernet1">
    <admin-status>1</admin-status>
    <if-index>1</if-index>
    <statistics>
      <in-octets>408164820</in-octets>
      <in-unicast-pkts>728061</in-unicast-pkts>
    </statistics>
  </interface>
</interfaces-state>

```

B.

```

<interfaces-state
xmlns="urn:ietf:params:xml:ns:yang:ietf-interfaces"
xmlns:if="urn:ietf:params:xml:ns:yang:ietf-interfaces">
  <interface>
    <name>GigabitEthernet1</name>
    <admin-status>up</admin-status>
    <if-index>1</if-index>
    <in-octets>408164820</in-octets>
    <in-unicast-pkts>728061</in-unicast-pkts>
  </interface>
</interfaces-state>

```

C.

```

<interfaces-state
xmlns="urn:ietf:params:xml:ns:yang:ietf-interfaces"
xmlns:if="urn:ietf:params:xml:ns:yang:ietf-interfaces">
  <interface>
    <name>GigabitEthernet1</name>
    <admin-status>up</admin-status>
    <if-index>1</if-index>
    <statistics>
      <in-octets>408164820</in-octets>
      <in-unicast-pkts>728061</in-unicast-pkts>
    </statistics>
  </interface>
</interfaces-state>

```

D.

```

<interfaces-state
xmlns="urn:ietf:params:xml:ns:yang:ietf-interfaces"
xmlns:if="urn:ietf:params:xml:ns:yang:ietf-interfaces">
  <interface>
    <name>GigabitEthernet1</name>
    <admin-status>1</admin-status>>
    <if-index>1</if-index>
    <statistics>
      <in-octets>408164820</in-octets>
      <in-unicast-pkts>728061</in-unicast-pkts>
    </statistics>
  </interface>
</interfaces-state>

```




Actual exam question from Cisco's 200-901

Question #: 43

Topic #: 1

[\[All 200-901 Questions\]](#)

What is a benefit of version control?

- A. prevents two users from working on the same file
- B. keeps track of all changes to the files
- C. prevents the sharing of files
- D. keeps the list of data types used in the files

Show Suggested Answer



Actual exam question from Cisco's 200-901

Question #: 44

Topic #: 1

[\[All 200-901 Questions\]](#)

```
git clone git://git.kernel.org/.../git.git my.git
cd my.git
git branch -d -r origin/todo origin/html origin/man    (1)
git branch -D test                                     (2)
```

Refer to the exhibit. What does the command marked (2) do when it is run?

- A. It duplicates the `test` branch.
- B. It deletes the `test` branch only if a new branch is created.
- C. It deletes the `test` branch.
- D. It does not delete the branch until it is merged.

Show Suggested Answer



Actual exam question from Cisco's 200-901

Question #: 45

Topic #: 1

[\[All 200-901 Questions\]](#)

What is a comparison of YAML and JSON?

- A. YAML has a more consistent approach to representing data compared to JSON.
- B. JSON does not support comments and YAML does.
- C. YAML is a more verbose data structure compared to JSON.
- D. JSON has more common usage in configuration management tools compared to YAML.

Show Suggested Answer





Actual exam question from Cisco's 200-901

Question #: 46

Topic #: 1

[\[All 200-901 Questions\]](#)

Which status code is used by a REST API to indicate that the submitted payload is incorrect?

- A. 400
- B. 403
- C. 405
- D. 429

Show Suggested Answer



Actual exam question from Cisco's 200-901

Question #: 47

Topic #: 1

[\[All 200-901 Questions\]](#)

DRAG DROP -

Refer to the exhibits.

HTTP REQUEST

POST /organizations/ {organizationId}/networks

PARAMETERS

name

The name of the new network.

type

The type of the new network. Valid types are wireless, appliance, switch, systemsManager, camera, cellularGateway, or a space-separated list of those for a combined network.

tags

A space-separated list of tags to be applied to the network.

timeZone

The timezone of the network. For a list of allowed timezones, please see the 'TZ' column in the table in [this article](#).

copyFromNetworkId

The ID of the network to copy configuration from. Other provided parameters will override the copied configuration, except type which must match this network's type exactly.

disableMyMerakiCom

Disables the local device status pages ([my.meraki.com](#), [ap.meraki.com](#), [switch.meraki.com](#), [wired.meraki.com](#)). Optional (defaults to false).

disableRemoteStatusPage

Disables access to the device status page ([http://\[device's LAN IP\]](#)). Optional. Can only be set if disableMyMerakiCom is set to false.

```
base_url = https://api.meraki.com/api/v0
org_id = 123456789
api_key = 1098hadpfsiapsf8ahf8ohp
network_name = "New Network"
requests.<item 1> (
    <item 2> + "<item 3>/" + org_id + "<item 4>",
    headers = {
        "X-Cisco-Meraki-API-Key": "<item 5>",
        "Content-Type": "<item 6>"
    },
    <item 7>=json.dumps ({ "name": <item 8>,
        "type": "wireless switch"
    })
```

Drag and drop the code from the left onto the item numbers on the right to complete the Meraki Python script shown in the exhibit.

Select and Place:

base_url	<item 1>
network_name	<item 2>
data	<item 3>
post	<item 4>
application/json	<item 5>
networks	<item 6>
api_key	<item 7>
organizations	<item 8>

Show Suggested Answer





Actual exam question from Cisco's 200-901

Question #: 48

Topic #: 1

[\[All 200-901 Questions\]](#)

An application calls a REST API and expects a result set of more than 550 records, but each time the call is made, only 25 are returned. Which feature limits the amount of data that is returned by the API?

- A. pagination
- B. payload limit
- C. service timeouts
- D. rate limiting

[Show Suggested Answer](#)





Actual exam question from Cisco's 200-901

Question #: 49

Topic #: 1

[\[All 200-901 Questions\]](#)

A developer is writing an application that uses a REST API and the application requires a valid response from the API. Which element of the response is used in the conditional check?

- A. body
- B. headers
- C. link
- D. URL
- E. status code

Show Suggested Answer



Actual exam question from Cisco's 200-901

Question #: 50

Topic #: 1

[\[All 200-901 Questions\]](#)

Refer to the exhibit.

```
[
  {
    "type": "fruit",
    "items": [
      {
        "color": "green",
        "items": [
          "kiwi",
          "grape"
        ]
      },
      {
        "color": "red",
        "items": [
          "strawberry",
          "apple"
        ]
      }
    ]
  },
  {
    "type": "vegs",
    "items": [
      {
        "color": "green",
        "items": [
          "lettuce"
        ]
      },
      {
        "color": "red".
```

A REST API returns this JSON output for a GET HTTP request, which has been assigned to a variable called `vegetables`. Using Python, which output is the result of this command? `print(filter(lambda 1: 1['type'] == 'fruit', vegetables) [0]['items'][0]['items'][0])`

- A. `{'color': 'green', 'items': ['kiwi', 'grape']}`
- B. `['kiwi', 'grape']`
- C. lettuce
- D. kiwi

Show Suggested Answer

Actual exam question from Cisco's 200-901

Question #: 51

Topic #: 1

[\[All 200-901 Questions\]](#)

DRAG DROP -

Drag and drop the Python code from the left onto the correct step on the right to call a REST API.

Select and Place:

```
response = requests.post(url, data=json.dumps(payload), \
headers=header, verify=False)
```

Step 1 – Import the correct libraries.

```
ticket = r_json["Token"]
print (ticket)
```

Step 2 – Declare the necessary variable.

```
(_json = response.json()
print(r_json)
```

Step 3 – Send the HTTP Request.

```
import requests
import json
```

Step 4 – Format and display the response in JSON readable format.

```
controller = 'devnetapi.cisco.com/sandbox/dnacenter'
url = 'https://' + controller + '/dna/system/api/v1/auth/token'
payload = { 'username': 'devnetuser', 'password': 'pa55word' }
header = { 'Content-type': 'application/json' }
```

Step 5 – Parse the response to display the Service Ticket.

Show Suggested Answer



Actual exam question from Cisco's 200-901

Question #: 52

Topic #: 1

[\[All 200-901 Questions\]](#)

A 401 HTTP response code is returned when calling a REST API. What is the error state identified by this response code?

- A. The server cannot process the request as it has detected an issue in the request syntax or body.
- B. The request has not been accepted because it requires authentication.
- C. The sever accepted the request but the client is not authorized for this content.
- D. The server cannot find the requested resource because the path specified is incorrect.

Show Suggested Answer



Actual exam question from Cisco's 200-901

Question #: 53

Topic #: 1

[\[All 200-901 Questions\]](#)

A developer is creating a script to interact with a REST API service which requires basic authentication. The credentials are "devnet:391665405" and the Base64 encoding of the credentials is "GV2bmV0dXNlcjpwDaXNj=". Which payload and header combination must be used for authentication?

A.

```
payload = {  
    'Authorization' : 'Basic GV2bmV0dXNlcjpwDaXNj=',  
    'Content-Type' : 'application/json'  
}  
headers= {}
```

B.

```
payload = {}  
headers= {  
    'Authorization' : 'Basic GV2bmV0dXNlcjpwDaXNj=',  
    'Content-Type' : 'application/json'  
}
```

C.

```
payload = {  
    'Authorization' : 'Bearer GV2bmV0dXNlcjpwDaXNj=',  
    'Content-Type' : 'application/json'  
}  
headers= {}
```

D.

```
payload = {}  
headers= {  
    'Authorization' : 'Bearer GV2bmV0dXNlcjpwDaXNj=',  
    'Content-Type' : 'application/json'  
}
```

Show Suggested Answer



Actual exam question from Cisco's 200-901

Question #: 54

Topic #: 1

[\[All 200-901 Questions\]](#)

A developer needs a list of clients connected to a specific device in a Meraki network. After making a REST API call, the developer receives an unfamiliar response code. Which Cisco DevNet resource should be used to identify the meaning of the response code?

- A. API documentation
- B. Code Exchange
- C. Learning Labs
- D. Sandbox

Show Suggested Answer





Actual exam question from Cisco's 200-901

Question #: 55

Topic #: 1

[\[All 200-901 Questions\]](#)

A developer is trying to retrieve data over a REST API. The API server responds with an HTTP client error response code. After investigating the response, the developer realizes the response has a Retry-After header. What is the root cause of this error?

- A. An appliance limited the rate of requests to the transport layer.
- B. The REST service is unreachable at the time of the REST request.
- C. Too many requests were sent to the REST service in a given amount of time.
- D. An appliance limited the rate of requests to the application layer.

Show Suggested Answer



Actual exam question from Cisco's 200-901

Question #: 56

Topic #: 1

[\[All 200-901 Questions\]](#)

Refer to the exhibit.

Local File Attachments

To send local file attachments, simply post a message by including your access token in the Authorization header and the path to your local file with the files parameter. Optionally, you can also include a plain-text message with the attachment by using the text parameter. When uploading files directly from your local filesystem, your request will need to be a multipart/form-data request rather than JSON

```
curl --request POST \  
  --form "files=@/home/desktop/example.png;type=image/png" \  
  --form "roomId=Y21zY2....." \  
  --form "text=example attached" \  
https://webexapis.com/v1/messages
```

A developer needs to upload a local file by using the REST API. The developer gathers information according to the documentation and sends the request by using the cURL command in the exhibit but gets an error code. Which action should be followed to get a valid response?

- A. change content-type as JSON
- B. add the authorization header with the access token
- C. and a username-password combination to request command
- D. change request method as GET

Show Suggested Answer

Actual exam question from Cisco's 200-901

Question #: 57

Topic #: 1

[\[All 200-901 Questions\]](#)

DRAG DROP -

Refer to the exhibit.

```

A - bash-3.2$ curl -H "Content-Type: application/json" -H "Authorization: Bearer
    Fj2zzykEa09lic9GK2j8LtE1HklH6oRHPQdwlpAT60I7NDThhNwZl2B5pqMq14kK_b9ei59ISAClY7-
    NarA-2n9H-tGgt-SxQ39iDejgcs" -i -d "{ \"roomId\":
B - \"Y2geK53sjELknosrc7SwQ5ZGL99pHgiuScB7DfNvUsr8Xx4wDKLiPORcEkryAnM3QmK9LQZsPOG4\"
    , \"text\": \"test2\" }" -X POST https://api.ciscopark.com/v1/messages
D - HTTP/1.1 200 OK
    Via: 1.1 linkerd
    Transfer-Encoding: chunked
    TrackingID: ROUTER_5E0FE283-63EB-01BB-00ED-806BF1BD00ED
E - Date: Sat, 01 Jan 2020 00:55:31 GMT
    Server: Redacted
    Content-Type: application/json;charset=UTF-8
    Vary: Accept-Encoding
    Strict-Transport-Security: max-age=63072000; includeSubDomains; preload

    {\"id\": \"
    YCpJf3aVovyBYcBn7lSdesNkKcgN5tlExdc6dcnPtl4Va05NfCh9MG17j0tWXQL0IPuoJ73uu7JdoXq9
    \", \"roomId\": \"
F - Y2geK53sjELknosrc7SwQ5ZGL99pHgiuScB7DfNvUsr8Xx4wDKLiPORcEkryAnM3QmK9LQZsP0G4\" ,
    \" roomType\": \"group\", \"text\": \"test2\", \"personId\": \"
    YcgYzL6XgtyfW81XXwqfKf7whfj23KuqWt4kLWkbb3JwEJB1VMZOkIvyBdFoppb0einNjl1FcMyy5wD\" ,
    \"personEmail\": \"user@webex.com\", \"created\": \"2020-01-01T00:55:32.492Z\"}
bash-3.2$

```

Drag and drop the descriptors from the left onto the corresponding parts of the API request and response on the right.

Select and Place:

Response Headers	A
HTTP Request	B
HTTP Response	C
Request Payload	D
Request Headers	E
Response Payload	F

Show Suggested Answer





Actual exam question from Cisco's 200-901

Question #: 58

Topic #: 1

[\[All 200-901 Questions\]](#)

Which action resolves a 401 error in response to an HTTP GET that is issued to retrieve a configuration statement using RESTCONF on a CSR 1000V?

- A. Change the HTTP method to PUT.
- B. Check the MIME types in the HTTP headers.
- C. Change the transport protocol to HTTPS.
- D. Check the authentication credentials.

Show Suggested Answer



Actual exam question from Cisco's 200-901

Question #: 59

Topic #: 1

[\[All 200-901 Questions\]](#)

Refer to the exhibit.

API v1 documentation:

Authentication and authorization: Bearer Token

Inventory endpoint: /api/v1/inventory

Method: GET

Response formats: text/html, application/json,
application/html

Token:

dXNlcm5hbWU6cGFzc3dvcmQ=

Api call:

GET /api/v1/inventory HTTP/1.1

Host: example.com

Response:

HTTP/1.1 401 Unauthorized

An API call is constructed to retrieve the inventory in XML format by using the API. The response to the call is 401 Unauthorized. Which two headers must be added to the API call? (Choose two.)

- A. Bearer-Token: dXNlcm5hbWU6cGFzc3dvcmQ=
- B. Content-Type: application/xml
- C. Authentication: Bearer dXNlcm5hbWU6cGFzc3dvcmQ=
- D. Accept: application/xml
- E. Authorization: Bearer dXNlcm5hbWU6cGFzc3dvcmQ=

Show Suggested Answer



Actual exam question from Cisco's 200-901

Question #: 60

Topic #: 1

[\[All 200-901 Questions\]](#)

Which HTTP response status code means `Forbidden`?

- A. 500
- B. 401
- C. 403
- D. 502

Show Suggested Answer





Actual exam question from Cisco's 200-901

Question #: 61

Topic #: 1

[\[All 200-901 Questions\]](#)

Which HTTP response code should be returned when the request is completed, but there is no content to send for the request?

- A. 100
- B. 204
- C. 302
- D. 402

[Show Suggested Answer](#)



Actual exam question from Cisco's 200-901

Question #: 62

Topic #: 1

[\[All 200-901 Questions\]](#)

```
HTTP/1.1 200 OK
Date: Mon, 27 Jul 2009 12:28:53 GMT
Server: nginx
Last-Modified: Wed, 22 Jan 2020 19:15:56 GMT
Content-Length: 88
Content-Type: application/json
Connection: keep-alive

{
  "id": "a123456bcde",
  "status": "online",
  "type": "switch"
}
```

Refer to the exhibit. Which data is specified in the response header?

- A. Content-Type
- B. HTTP/1.1 200 OK
- C. "type": "switch"
- D. { "id": "a123456bcde", HTTP/1.1 200 OK "status": "online", "type": "switch" }

Show Suggested Answer



Actual exam question from Cisco's 200-901

Question #: 63

Topic #: 1

[\[All 200-901 Questions\]](#)

What are two use cases where webhooks are effective? (Choose two.)

- A. Filter out information from a response to an API call.
- B. Close a session with a web server after a specific amount of time.
- C. Inform a previously defined chat channel after a deployment fails.
- D. Send an email to a customer of an online store after payment is complete.
- E. Change the response format or content type of an API call.

Show Suggested Answer





Actual exam question from Cisco's 200-901

Question #: 64

Topic #: 1

[\[All 200-901 Questions\]](#)

In which two ways is an application characterized when interacting with a webhook? (Choose two.)

- A. receiver
- B. transaction monitor
- C. codec
- D. processor
- E. listener

Show Suggested Answer





Actual exam question from Cisco's 200-901

Question #: 65

Topic #: 1

[\[All 200-901 Questions\]](#)

How does requesting a synchronous API operation differ from requesting an asynchronous API operation?

- A. clients receive responses with a task ID for further processing
- B. clients subscribe to a webhook for operation results
- C. clients poll for the status of the execution of operations
- D. clients can access the results immediately

Show Suggested Answer



Actual exam question from Cisco's 200-901

Question #: 66

Topic #: 1

[\[All 200-901 Questions\]](#)

DRAG DROP -

Drag and drop the HTTP status codes from the left onto the correct descriptions on the right.

Select and Place:

400

Unauthorized

401

Not Found

403

Bad Request

404

Forbidden

Show Suggested Answer





Actual exam question from Cisco's 200-901

Question #: 67

Topic #: 1

[\[All 200-901 Questions\]](#)

Which method should be used to safely store the API keys?

- A. in an environment variable unique to the system database
- B. encrypted in a configuration file that is separate from the code
- C. plain text in the code as a constant
- D. encrypted in the code in a function

Show Suggested Answer





Actual exam question from Cisco's 200-901

Question #: 68

Topic #: 1

[\[All 200-901 Questions\]](#)

FILL BLANK -

Fill in the blanks to complete the statement.

Given a username of `devnet` and a password of `cisco123`, applications must create a base64 encoding of the string `_____` when sending HTTP requests to an API that uses _____ authentication.

[Show Suggested Answer](#)



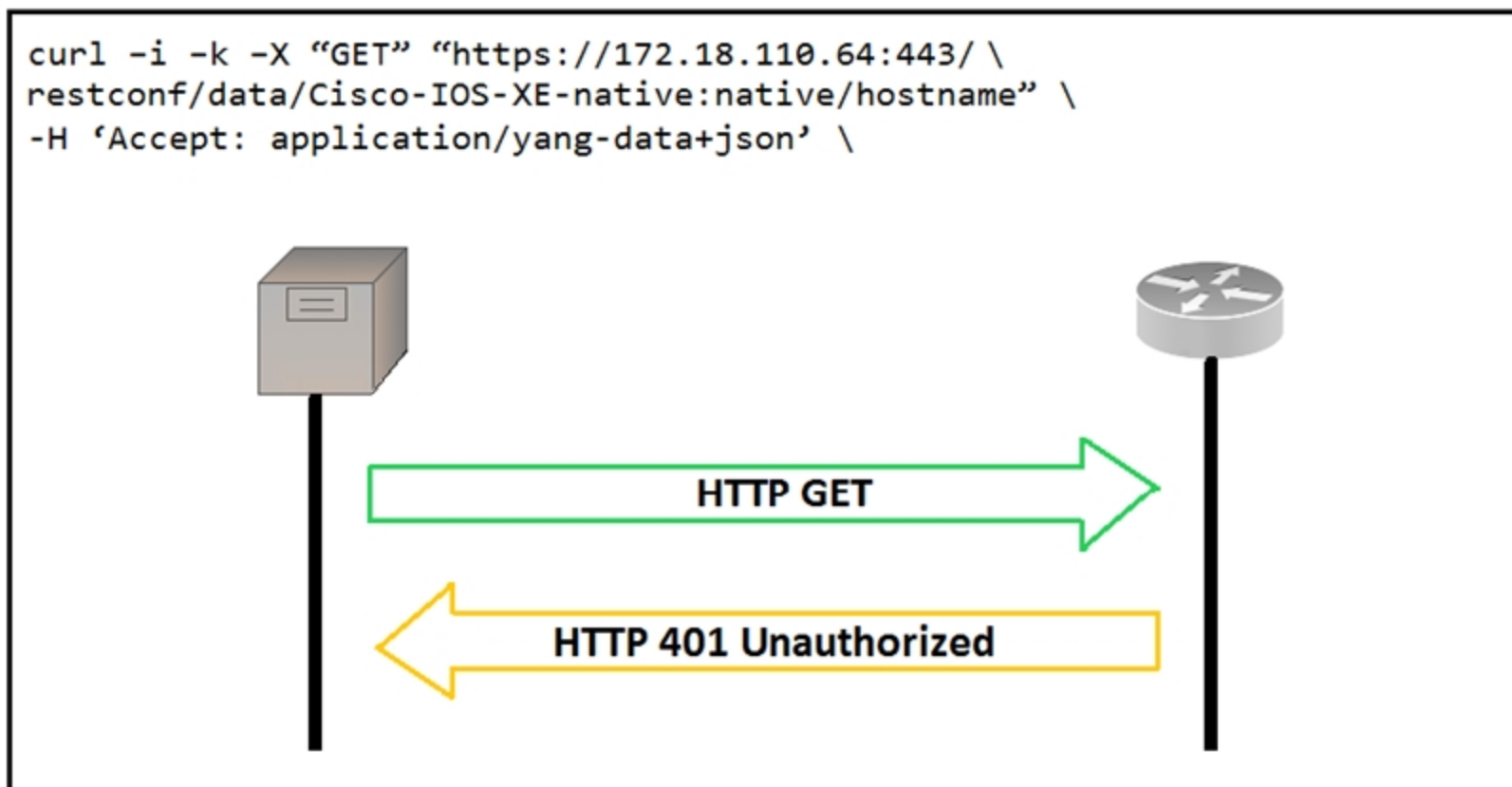
Actual exam question from Cisco's 200-901

Question #: 69

Topic #: 1

[\[All 200-901 Questions\]](#)

Refer to the exhibit.



An administrator attempts to perform a GET using the Cisco IOS XE RESTCONF API to return the hostname of a device. The sequence diagram illustrates the HTTP messages observed. Which change to the API request resolves the issue?

- A. Remove the `'Accept: application/yang-data+json'` HTTP header because it is not required.
- B. Add `'u cisco:cisco'` in the end of the cURL command
- C. Change the request method from `'X GET'` to `'X POST'`
- D. Add Content-Type HTTP header with 'application/yang-data+json' using `'Content-Type: application/yang-data+json'`

Show Suggested Answer



Actual exam question from Cisco's 200-901

Question #: 70

Topic #: 1

[\[All 200-901 Questions\]](#)

What are two benefits of managing network configuration via APIs? (Choose two.)

- A. more security due to locking out manual device configuration
- B. configuration on devices becomes less complex
- C. eliminates the need of legacy management protocols like SNMP
- D. reduction in network changes performed manually
- E. increased scalability and consistency of network changes

Show Suggested Answer





Actual exam question from Cisco's 200-901

Question #: 71

Topic #: 1

[\[All 200-901 Questions\]](#)

FILL BLANK -

Fill in the blanks to complete the cURL command that invokes a RESTful API to retrieve a resource in JSON format using OAuth. curl `X _____ -H ` _____:
application/json` \
-H ` _____: Bearer AbCdEf123456` https://localhost/api/myresource

Show Suggested Answer





Actual exam question from Cisco's 200-901

Question #: 72

Topic #: 1

[\[All 200-901 Questions\]](#)

Which Cisco DevNet resource allows access to products in a development lab to explore, learn, and build applications that use Cisco APIs?

- A. DevNet Code Exchange
- B. DevNet Sandbox
- C. DevNet Communities
- D. DevNet Automation Exchange

Show Suggested Answer



Actual exam question from Cisco's 200-901

Question #: 73

Topic #: 1

[\[All 200-901 Questions\]](#)

Refer to the exhibits.

List Messages

Lists all messages in a room. Each message will include content attachments if present.

The list sorts the messages in descending order by creation date.

Long result sets will be split into [pages](#).

GET /v1/messages

Query Parameters

roomId
string **Required**
List messages in a room, by ID.

mentionedPeople
array
List messages with these people mentioned, by ID. Use me as a shorthand for the current API user.

before
string
List messages sent before a date and time.

beforeMessage
string
List messages sent before a message, by ID.

max
number
Limit the maximum number of messages in the response.
Default:

Try it
Example

GET /v1/messages {?roomId,mentionedPeople,before,beforeMessage}

Header

Authorization Use personal access token

Bearer

This limited-duration personal access token is hidden for your security.

Query Parameters

roomId **Required**

mentionedPeople

before

beforeMessage

max

```

bash-3.2$ curl -H "Content-Type: application/json" -H "Authorization:
Fj2zzykEa091ic9GK2j8LtE1HklH6oRHPQdwlpAT60I7NDThhNwZl2B5pqMg14kK_b9ei59ISAClY7-
NarA-2n9H-tGgt-SxQ39iDejgcs" -i -X POST -d "{ \"roomId\":
\"Y2geK53sjEknoSrC7SwQ5ZGL99pHgiuScB7DfNvUstr8Xx4wDKLiPORcEkryAnM3QmK9LQZsP0G4\"
, \"text\": \"test2\" }" https://api.ciscospark.com/v1/messages

HTTP/1.1 401 Unauthorized
Via: 1.1 linkerd
TrackingID: ROUTER_5E0FDC8C-EB6F-01BB-00EF-806BF1BD00EF
Date: Sat, 04 Jan 2020 00:30:04 GMT
Server: Redacted
Content-Length: 267
Content-Type: application/json
Strict-Transport-Security: max-age=63072000; includeSubDomains; preload

{"message":"The request requires a valid access token set in the Authorization request
header.", "errors": [{"description":"The request requires a valid access token set in the
Authorization request
header."}], "trackingId":"ROUTER_5E0FDC8C-EB6F-01BB-00EF-806BF1BD00EF"}

bash-3.2$
  
```

A developer is troubleshooting an API with the given API documentation and cURL command. What is the cause of this problem?

- A. The authorization header is missing or incomplete.
- B. The request body is missing or incomplete.
- C. The API token specified is expired.
- D. The user is not allowed to post messages from their account.

Show Suggested Answer





Actual exam question from Cisco's 200-901

Question #: 74

Topic #: 1

[\[All 200-901 Questions\]](#)

Which two statements describe the traits of an asynchronous API call? (Choose two.)

- A. Code execution blocks or waits for the call to an API to return.
- B. A callback function typically is used to process the response from an API call.
- C. A call to an API does not block the code, but rather it allows application processing to continue.
- D. The end user can experience latency or performance lag while waiting for the API call to return.
- E. The order in which API calls return can be guaranteed.

Show Suggested Answer





Actual exam question from Cisco's 200-901

Question #: 75

Topic #: 1

[\[All 200-901 Questions\]](#)

Which mechanism is used to consume a RESTful API design when large amounts of data are returned?

- A. data sets
- B. scrolling
- C. pagination
- D. blobs

Show Suggested Answer



Actual exam question from Cisco's 200-901

Question #: 76

Topic #: 1

[\[All 200-901 Questions\]](#)

Refer to the exhibit.

URL: https://<ASA_IP>/api/access/global/rules

Method: POST

Payload:

```
{
  "destinationAddress": {
    "kind": "IPv4Address",
    "value": "10.1.1.1"
  },
  "remarks": [ ],
  "active": true
  "permit": true,
  "sourceAddress": {
    "kind": "IPv4Address",
    "value": "192.168.1.1"
  }
}
```

Response Status Code: 400 Bad Request

```
{
  "messages": [
    {
      "level": "Error",
      "code": "JSON-PARSE-ERROR",
      "details": "Unexpected character ('\\" (code 34))"
    }
  ]
}
```

What caused the error in this API request?

- A. The API resource does not support the POST operation.
- B. The submitted JSON payload has a formatting issue.
- C. The API resource does not support JSON format payloads.
- D. The submitted JSON payload includes a field that is not supported by the API resource.

Show Suggested Answer



Actual exam question from Cisco's 200-901

Question #: 77

Topic #: 1

[\[All 200-901 Questions\]](#)

Which two use cases are supported by Meraki APIs? (Choose two.)

- A. Build location-aware apps from Wi-Fi and LoRaWAN devices.
- B. Build a custom Captive Portal for Mobile Apps.
- C. Configure network devices via the Dashboard API.
- D. Deploy applications onto the devices.
- E. Retrieve live streams from a Meraki Camera.

Show Suggested Answer





Actual exam question from Cisco's 200-901

Question #: 78

Topic #: 1

[\[All 200-901 Questions\]](#)

Which API is used to obtain data about voicemail ports?

- A. Webex Teams
- B. Cisco Unified Communications Manager
- C. Finesse Gadgets
- D. Webex Devices

Show Suggested Answer



Actual exam question from Cisco's 200-901

Question #: 79

Topic #: 1

[\[All 200-901 Questions\]](#)

DRAG DROP -

List Messages

Lists all messages in a room. Each message will include content attachments if present.
The list sorts the messages in descending order by creation date.
Long result sets will be split into pages.

GET /v1/messages

Query Parameters

roomId
string Required
List messages in a room, by ID.

parentId
string
List messages with a parent, by ID.

Try it
Example
↗

Request Response

```
https://webexapis.com/v1/messages?roomId=Y2lzY29zcGFyazovL3VzL1JPT00vYmJjZWlxYWQtNDNmMS0zYjU4LTkxNDctZjE0YmlwYzRkMTU0&parentId=Y2lzY29zcGFyazovL3VzL01FU1NBR0UvZWm1ZTlzZjAtN2RhMS0xMWU5LTg2NTgtZTkzYzNiODZjZmFm&mentionedPeople=Y2lzY29zcGFyazovL3VzL1BFT1BMRS8yNDlmNzRkOS1kYjhhLTQzY2EtODk2Yi04NzIiZDI0MGFjNTM&before=2016-04-21T19:01:55.966Z&beforeMessage=Y2lzY29zcGFyazovL3VzL01FU1NBR0UvOTJkYjNiZTAtdNDNiZC0xMWU2LTlhZTkzZGQ1YjNkZmM1NjVj&max=100
```

Refer to the exhibit. A developer needs to automatically retrieve all of the messages of a Webex room with the roomId of

`Y2lzY29zcGFyazovL3Vz397468502YjU5NjAtNTk0Zi0xMWVhLTk0Mj`. Using the Webex API documentation shown, drag and drop the code snippets from below onto the code to complete the Python script to list all of the messages in the room. Not all options are used.

Select and Place:

Answer Area

```
import requests

webex_token = "NDA2OGV...f0-4434-a696-84fee4047e0a"

room_id = "Y2lzY29zcGF...jU5NjAtNTk0Zi0xMWVhLTk0Mj"

url = "https://webexapis.com/v1/ [ ] [ ] =" + [ ]

payload = {}
headers = {
    'Authorization': 'Bearer ' + [ ]
}

response = requests.request("GET", url, headers=headers, data = payload)

print(response.text.encode('utf8'))
```

room_id

room

messages?

webex_token

roomId

messages

Show Suggested Answer





Actual exam question from Cisco's 200-901

Question #: 80

Topic #: 1

[\[All 200-901 Questions\]](#)

What is a difference between a synchronous API and an asynchronous API?

- A. Synchronous API calls require an authentication header to be sent while asynchronous calls do not require authentication.
- B. Synchronous API calls are returned immediately while asynchronous calls do not guarantee an immediate response.
- C. An asynchronous API can make offline calls while synchronous APIs do not have this capability.
- D. An asynchronous API can make a larger number of calls in a specified time period than a synchronous API.

Show Suggested Answer



Actual exam question from Cisco's 200-901

Question #: 81

Topic #: 1

[\[All 200-901 Questions\]](#)

DRAG DROP -

Returns the wireless lan controller info with given device ID:

```
{
  "response": {
    "adminEnabledPorts": [ 0 ],
    "apGroupName": "string",
    "deviceId": "string",
    "ethMacAddress": "string",
    "flexGroupName": "string",
    "id": "string",
    "instanceTenantId": "string",
    "instanceUuid": "string",
    "lagModeEnabled": true,
    "netconfEnabled": true,
    "wirelessLicenseInfo": "ADVANTAGE",
    "wirelessPackageInstalled": true
  },
  "version": "string"
}
```

Refer to the exhibit. Drag and drop the code from the bottom onto the blanks in the code to construct a cURL command using the Cisco DNA Center API, which will provide the details of a WLAN controller with Id ab123456789. Not all options are used.

Select and Place:

Answer Area

```
curl -L --request GET \
--url https://dna/intent/api/v1/ [ ] / [ ] / [ ] \
--header 'Content-Type: application/json' \
--header 'Accept:application/json'
```

network-device

id

wireless

wireless-info

controller

details

Show Suggested Answer

Actual exam question from Cisco's 200-901

Question #: 82

Topic #: 1

[\[All 200-901 Questions\]](#)

```
import requests
from requests.auth import HTTPBasicAuth
headers = {'Content-Type': 'application/json'}
base_url = 'https://10.1.2.3'
auth_url = '/dna/system/api/v1/auth/token'
devices_url = '/dna/intent/api/v1/network-device'

token = requests.post(
    base_url + auth_url, headers=headers,
    auth=HTTPBasicAuth(username="admin", password="DevNet123"))
data = token.json()

query_string_params = {'platformId': "A1234-12B"}
response = requests.get(
    base_url + devices_url, headers=headers,
    params=query_string_params)
print(f' {response.code}')
```

Refer to the exhibit. A network engineer must manage the network devices. The engineer prepares a Python script to authenticate to the Cisco DNA Center API and request a device list. The device request fails and returns error code 401. Which action solves the problem?

- A. Update the credentials that are already supplied and retry the request.
- B. Send the request to another network in case there are reachability issues.
- C. Send the Authentication header in the request with a valid configuration.
- D. Update the API URL, which matched the API endpoint for device list.

Show Suggested Answer

Actual exam question from Cisco's 200-901

Question #: 83

Topic #: 1

[\[All 200-901 Questions\]](#)

Code:

```
import requests

url = 'https://en.wikipedia.org/api/rest_v1/page/title/Cisco_Systems'
s = requests.Session()

def get_json(session=None, url="https://example.com"):
    try:
        if not session or type(session) is not requests.sessions.Session:
            raise Exception("Invalid session type")

        r = session.get(url)

        if r.status_code < 200 or r.status_code > 307:
            raise Exception("Status Code not within 2xx and 3xx")

        return r.json()

    except requests.exceptions.RequestException as e:
        raise e("Request failed")
    finally:
        session.close()

if __name__ == "__main__":
    items = get_json(session=s,url=url)
    [REDACTED]
```

payload:

```
{'items': [{ 'title': 'Cisco_Systems', 'page_id': 51746, 'rev': 930604297,
'tid': '58b40b30-20e7-11ea-a7a9-f1850c7cfe85', 'namespace': 0, 'user_id':
19450869, 'user_text': 'Dhruvh
', 'timestamp': '2019-12-13T16:47:52Z', 'comment': '/* 1984-1995: Origins
and initial growth */', 'tags': [], 'restrictions': [], 'page_language':
'en', 'redirect': False}]}
```

Refer to the exhibit. Which command needs to be placed on the box where the code is missing to output the value of page_id in the Python 3.7 script?

- A. `print(items.get('items')[0].get('page_id'))`
- B. `print(items.get('items').get('page_id'))`
- C. `print(items['items']['page_id'].keys())`
- D. `print(items['items']['page_id'])`

Show Suggested Answer

Actual exam question from Cisco's 200-901

Question #: 84

Topic #: 1

[\[All 200-901 Questions\]](#)

Refer to the exhibit.

Generating Client ID and API Key:

- Log in to your AMP for Endpoints Console.
- Go to Accounts > Business Settings.
- Click Configure API Credentials under Features to generate the Client ID and secure API Key.

Once you have the API client ID and API key, you can make the API calls as follows:

```
https://<your_client_id>:<your_api_key>@<api_endpoint>
```

Alternatively you can use Basic HTTP Authentication. Base 64 encode the string ":", and send that prefixed with the string "Basic" as the authorization header. For instance, if your client_id was 1234, and your api_key was "atest", then it would be base64 encoded to "MTIzNDphdGVzdA==", and your header would be:

```
Authorization: Basic MTIzNDphdGVzdA==
```

The documentation outlines how to use credentials for the AMP API. Which script successfully performs an API call using basic authentication?

A.

```
import requests
amp_auth_token = 'a1b2c3d4e5f6g7h8i9j0 k1l2m3n4o5p6'
url = 'https://api.amp.cisco.com/v1/version'
request = requests.get(url,
    auth=(amp_auth_token))
print(request.json())
```

B.

```
import requests
amp_client_id = 'a1b2c3d4e5f6g7h8i9j0'
amp_api_key = 'a1b2c3d4-e5f6-g7h8-i9j0-k1l2m3n4o5p6'
url = 'https://api.amp.cisco.com/v1/version'
request = requests.get(url,
    auth=(amp_client_id, amp_api_key))
print(request.json())
```

C.

```
import requests
amp_client_id = 'a1b2c3d4e5f6g7h8i9j0'
amp_api_key = 'a1b2c3d4-e5f6-g7h8-i9j0-k1l2m3n4o5p6'
url = 'https://api.amp.cisco.com/v1/version'
request = requests.get(url)
print(request.json())
```

D.

```
import requests
amp_client_id = 'a1b2c3d4e5f6g7h8i9j0'
amp_login_password = '10g1n_p@ssw0rd'
url = 'https://api.amp.cisco.com/v1/version'
request = requests.get(url,
    auth=(amp_client_id, amp_login_password))
print(request.json())
```

Show Suggested Answer



Actual exam question from Cisco's 200-901

Question #: 85

Topic #: 1

[\[All 200-901 Questions\]](#)

API Documentation:

Integrations are how you request permission to invoke the Webex REST API on behalf of another Webex Teams user. To do this in a secure way the API supports the OAuth 2 standard which allows third-party integrations to get a temporary access token for authenticating API calls instead of asking users for their password.

Script:

```
01 import requests
02
03 base_url = "https://webexapis.com/v1"
04 header = {"Key": "Value"}
05
06 url = "{}/{}".format(base_url, "/teams")
07 print(requests.get(url, headers=header).status_code)
```

Refer to the exhibit. A developer creates a Python script that queries Cisco Webex. When the script is executed, a 401 code is returned. After troubleshooting, the developer discovers that the service is missing privileges. Which change to the header in line 4 of the script results in the code 200?

- A. header = {"Authentication": "Bearer YOUR_TOKEN"}
- B. header = {"Authentication Bearer": "YOUR_TOKEN"}
- C. header = {"Authorization Bearer": "YOUR_TOKEN"}
- D. header = {"Authorization": "Bearer YOUR_TOKEN"}

Show Suggested Answer

Actual exam question from Cisco's 200-901

Question #: 86

Topic #: 1

[\[All 200-901 Questions\]](#)

DRAG DROP -

Drag and drop the HTTP methods from the left onto their generally accepted corresponding create, read, update, and delete operations on the right.

Select and Place:

DELETE	Create
GET	Read
PATCH	Update
POST	Update
PUT	Delete

Show Suggested Answer

Actual exam question from Cisco's 200-901

Question #: 87

Topic #: 1

[\[All 200-901 Questions\]](#)

DRAG DROP -

Refer to the exhibit.

List the clients that have used this network in the timespan

HTTP REQUEST

```
GET /networks/ {networkId}/clients
```

PARAMETERS

t0

The beginning of the timespan for the data. The maximum lookback period is 31 days from today.

timespan

The timespan for which the information will be fetched. If specifying timespan, do not specify parameter t0. The value must be in seconds and be less than or equal to 31 days. The default is 1 day.

perPage

The number of entries per page returned. Acceptable range is 3 – 1000. Default is 10.

startingAfter

A token used by the server to indicate the start of the page. Often this is a timestamp or an ID but it is not limited to those. This parameter should not be defined by client applications. The link for the first, last, prev, or next page in the HTTP Link header should define it.

endingBefore

A token used by the server to indicate the end of the page. Often this is a timestamp or an ID but it is not limited to those. This parameter should not be defined by client applications. The link for the first, last, prev, or next page in the HTTP Link header should define it.

```
base_url = "https://api.meraki.com/api/v0"
network_id = "L_12345678910"
api_key = "1098hadpfsiapsf8ahf8ohp"
requests.<item 1> (
  <item 2> + "/<item 3>/" + <item 4>, "<item 5>",
  headers = {
    "X-Cisco-Meraki-API-Key": <item 6> ,
    "Content-Type": "<item 7>"
  },
  <item 8>={"<item 9>":<item 10>})
```

Drag and drop the code from the left onto the item numbers on the right to complete the Meraki code to obtain a list of clients which have used this network.

Select and Place:

params	<item 1>
networks	<item 2>
timespan	<item 3>
get	<item 4>
432000	<item 5>
base_url	<item 6>
application/json	<item 7>
network_id	<item 8>
clients	<item 9>
api_key	<item 10>

Show Suggested Answer



Actual exam question from Cisco's 200-901

Question #: 88

Topic #: 1

[\[All 200-901 Questions\]](#)

In Python, which expression checks whether the script returns a success status code when the Requests library is used?

- A. `response.status_code == requests.codes.ok`
- B. `response.code == requests.codes.ok`
- C. `response.status_code == requests.ok`
- D. `response.status_code != requests.codes.ok`

Show Suggested Answer



Actual exam question from Cisco's 200-901

Question #: 89

Topic #: 1

[\[All 200-901 Questions\]](#)

```
import requests
from requests.auth import HTTPBasicAuth
from config import url, username, password
response = requests.login(url, auth=HTTPBasicAuth (username, password), verify=False)
print response.status_code
```

Refer to the exhibit. The script returns an output of 401. To use the supplied URL, an HTTP GET request must be sent with an Authorization header. The header value is a base64 encoded concatenation of the username and password. Which action must be taken to return an output of 200?

- A. Change the verify=False setting in the request to verify=True to enable HTTP Basic authentication.
- B. Verify that the username and password values imported from the configuration file are still valid.
- C. Insert an Authorization header with the values username:password from the supplied configuration file.
- D. Modify the method from LOGIN to GET and supply the username:password value as JSON payload.

Show Suggested Answer



Actual exam question from Cisco's 200-901

Question #: 90

Topic #: 1

[\[All 200-901 Questions\]](#)

```
>>> response_data = requests.get(base_url + request_url, cookies=cookies)
Traceback (most recent call last):
  File "<stdin>", line 1, in <module>
NameError: name 'requests' is not defined
>>>
```

Refer to the exhibit. A Python code has been written to query a device. The executed code results in the error shown. Which action resolves the problem?

- A. import json
- B. requests(λ€GETλ€, base_url + request_url, cookies=cookies)
- C. pip install requests
- D. import requests

Show Suggested Answer



Actual exam question from Cisco's 200-901

Question #: 91

Topic #: 1

[\[All 200-901 Questions\]](#)

Which REST architectural constraint indicates that no client context should be stored on the server between requests?

- A. cacheable
- B. stateless
- C. uniform interface
- D. client-server

Show Suggested Answer





Actual exam question from Cisco's 200-901

Question #: 92

Topic #: 1

[\[All 200-901 Questions\]](#)

Which HTTP code group is issued when a request is received successfully, understood, and processed?

- A. 2xx
- B. 3xx
- C. 4xx
- D. 5xx

Show Suggested Answer





Actual exam question from Cisco's 200-901

Question #: 93

Topic #: 1

[\[All 200-901 Questions\]](#)

A developer creates a web application that receives a username and password and uses them to sync the credentials to other services through HTTPS. API keys to services are part of the configuration files of the application, but the credentials to the database that stores the synchronization logs are obtained through an external vault service. What is the security issue in this scenario?

- A. Communication between the application and the services is not encrypted.
- B. The database credentials should be stored in the configuration files so that they are secured on the same server.
- C. The API keys are stored in the configuration files but should be stored in the vault service.
- D. The synchronization logs should be encrypted and not stored in a relational database.

Show Suggested Answer



Actual exam question from Cisco's 200-901

Question #: 94

Topic #: 1

[\[All 200-901 Questions\]](#)

```
1 #import dnac sdk
2 from dnacentersdk import DNACenterAPI
3 #connection to dnac
4
5 username = 'user1'
6 password = 'secret'
7 base_url = 'https://192.168.1.1'
8
9 dnac = DNACenterAPI(username=username, password=password, base_url=base_url,
• version='1.3.3', verify=False)
10
11 # Get list of ports on device using get all interfaces API call
12 port_list_1 = [item['portName'] for item in
• dnac.devices.get_all_interfaces()['response']
13     if 'da4606c3-63ad-4ed4-8f35-6bfec7c2df04' in
• item['deviceId']]
14
15 # Sort list items
16 port_list_1.sort()
17 # Check the number of ports on the device
18 print(f'The list of interfaces contains {len(port_list_1)} items.')
19
20 # Output
21 # The list of interfaces contains 38 items.
22
23
24 # Get list of interfaces using the get interface info by device id api call
25 port_list_2 = [item['portName'] for item in
26     dnac.devices.get_interface_info_by_id('da4606c3-63ad-4ed4-8f35-
• 6bfec7c2df04')['response']]
27
28 # Sort list items
29 port_list_2.sort()
30 # Check the number of ports on the device
31 print(f'The list of interfaces contains {len(port_list_2)} items.')
32
33 # Output
34 # The list of interfaces contains 54 items.
```

Refer to the exhibit. An engineer writes a Python script that uses two different API calls to query Cisco DNA Center for the number of interfaces on a device. The engineer notices that the two API calls produce different results. Why are fewer interfaces returned for the same device when the 'get_all_interfaces' API call is used?

- A. times out
- B. rate limit
- C. pagination
- D. invalid password

Show Suggested Answer

Actual exam question from Cisco's 200-901

Question #: 95

Topic #: 1

[\[All 200-901 Questions\]](#)

DRAG DROP -

Drag and drop the code snippets from the bottom into the Python script to write API output to a csv file. Not all options are used.

Select and Place:

```
#!/usr/bin/env python3
import csv
import json
import 
#Create a request to grab info in api
response = requests. ('http://api.zippopotam.us/us/80301')

try:
    with open('80301.json', 'w') as outfile:
        json.dump(response.json(), outfile)
    print(.json())
except Exception as e:
    print(e)

with open('80301.csv', 'w') as outfile:
    json.dump(response.json(), outfile)
print(response.)
```

Show Suggested Answer

Actual exam question from Cisco's 200-901

Question #: 96

Topic #: 1

[\[All 200-901 Questions\]](#)

DRAG DROP -

Drag and drop the code snippets from the bottom to the blanks in the code to test the API response through the Python unittest library. Not all options are used.

Select and Place:

```
import unittest
import json
from apidogs import app

class TestsAPIDogs(unittest.TestCase):

    def setUp(self):
        self.app = app.test_client()

    # Check status response of API
    def test_status(self):
        resp =self.app.get('/dogs/all')
        status_code = response. 

        self.assertEqual(status_code,  )

    # Check for content type is in application/json
    def test_content_type(self):
        resp =self.app.get('/dogs/all')
        self.assertEqual(resp.  , 'application/json')

    def test_item_not_exist(self):
        resp =self.app.get('/dogs?id=  ')
        self.assertEqual(response.status code,404)

if name == ' main ':
    unittest.main()
```

Show Suggested Answer

Actual exam question from Cisco's 200-901

Question #: 97

Topic #: 1

[\[All 200-901 Questions\]](#)

DRAG DROP -

```
GET getNetworkHttpServers
https://api.meraki.com/api/v0/networks/:networkId/httpServers
List the HTTP servers for a network

AUTHORIZATION
API Key

This request is using an authorization helper from collection Meraki Dashboard
API
HEADERS
Accept
*/*
```

Refer to the exhibit. A developer is creating a Python script to obtain a list of HTTP servers on a network named office_east by using the Cisco Meraki API. The request has these requirements:

- * Must time out if the response is not received within 2 seconds.
- * Must utilize client certificates and SSL certificate verification.
- * Must utilize basic authentication that uses a username of admin and a password of cisco.
- * Must save the response to an object named response.

Drag and drop the code snippets from the bottom onto the blanks in the code to meet the requirements. Not all options are used.

Select and Place:

```
import requests
from requests.auth import HTTPBasicAuth
network = 'office east'
url = 'https://api.meraki.com/api/v0/networks/{}/httpServers'.format (network)
[ ] = requests.get(url=url, headers={ 'Accept': '*/*' },
verify='/etc/pki/tls/certs/ca.pem',
timeout= [ ] ,
[ ] = ('/etc/pki/tls/certs/client.pem',
'/etc/pki/tls/certs/client.key'),
auth= [ ] ('admin', 'cisco'))
response.status_code
```

token

response

2

HTTPTokenAuth

HTTPBasicAuth

cert

Show Suggested Answer

Actual exam question from Cisco's 200-901

Question #: 98

Topic #: 1

[\[All 200-901 Questions\]](#)

DRAG DROP -

Drag and drop the code snippets from the bottom to the blanks in the code to complete the HTTP response. Not all options are used.

Select and Place:

```
Request URL: http://www.example.com/
```

```
 : GET
```

```
 : 200 OK
```

```
Remote Address: [2606:2800:220:1:248:1893:25c8:1946]:80
```

```
Referrer Policy: strict-origin-when-cross-origin
```

```
Response Headersview source
```

```
Accept-Ranges: bytes
```

```
Age: 396561
```

```
Cache-Control: max-age=604800
```

```
 : gzip
```

```
Content-Length: 648
```

```
 : text/html; charset=UTF-8
```

```
Date: Sat, 20 Nov 2020 20:49:34 GMT
```

```
Etag: "3147526947+ident"
```

```
Expires: Sat, 21 Nov 2020 20:49:34 GMT
```

```
Last-Modified: Thu, 17 Oct 2019 07:18:26 GMT
```

```
Server: ECS (dna/63AA)
```

```
Vary: Accept-Encoding
```

```
X-Cache: HIT
```

```
Request Headersview source
```

```
Accept: text/html,application/xhtml+xml,application/xml;q=0.9,
```

```
image/avif,image/webp,image/apng,*/*;q=0.8,application/signed-exchange;v=b3;q=0.9
```

```
Accept-Encoding: gzip, deflate
```

```
Accept-Language: en-US,en;q=0.9
```

Request Type

Request Control

Status Code

Content-Type

Request Method

Content Code

Content-Encoding

Show Suggested Answer



Actual exam question from Cisco's 200-901

Question #: 99

Topic #: 1

[\[All 200-901 Questions\]](#)

```
import requests

base url = f"https://webexapis.com/v1/people"

headers = {
    "Accept": "application/json"
}

person email = 'customer@company.com'
url = f"{base url}?email={person email}"

response = requests.request("GET", url, headers=headers)

if response.status code == 200 :
    print(f"OK - Added {person email}")
else:
    print(f"ERROR CODE {response.status code}")
```

Refer to the exhibit. A collaboration engineer has developed a script to automate the gathering of information by providing the email address of the individual. When the engineer tests the script, a 401 error is received. Which command fixes the script?

- A. Add `Authorization: Bearer <WEBEX_TOKEN>` to the headers.
- B. Add `Authentication: Basic <WEBEX_TOKEN>` in the base_url after `https://`.
- C. Add `<Authorization>:<password>@` in the base_url after `https://`.
- D. Add `Authentication: Bearer <WEBEX_TOKEN>` to the headers.

Show Suggested Answer



Actual exam question from Cisco's 200-901

Question #: 100

Topic #: 1

[\[All 200-901 Questions\]](#)

A developer is attempting to retrieve all the messages from a Cisco Webex space. The server responds by sending the first 1,000 messages. The developer must make additional requests to retrieve the rest of the messages. Which API constraint is described in this scenario?

- A. payload limiting
- B. throttling
- C. pagination
- D. rate limiting

Show Suggested Answer



Actual exam question from Cisco's 200-901

Question #: 101

Topic #: 1

[\[All 200-901 Questions\]](#)

```
cd ~/development/project01
mkdir info
cd info
[REDACTED]
cp ./requirements.txt ~/Documents/backup/requirements.txt
```

Refer to the exhibit. A developer just finished testing a Python script and wants to save the list of packages and versions installed on the current machine. The developer must make sure that it will not cause any issues if tested on another device due to different library versions. Which line of code needs to be placed on the snippet where the code is missing?

- A. `pip freeze 2> requirements.txt`
- B. `pip freeze > requirements.txt`
- C. `pip freeze => requirements.txt`
- D. `pip freeze | requirements.txt`

Show Suggested Answer



Actual exam question from Cisco's 200-901

Question #: 102

Topic #: 1

[\[All 200-901 Questions\]](#)

A developer pushes an application to production. The application receives a webhook over HTTPS without a secret. The webhook information contains credentials to service in cleartext. When the information is received, it is stored in the database with an SHA-256 hash. Credentials to the database are accessed at runtime through the use of a vault service. While troubleshooting, the developer sets the logging to debug to view the message from the webhook. What is the security issue in this scenario?

- A. Database credentials should be accessed by using environment variables defined at runtime.
- B. During the transport of webhook messages, the credentials could be unencrypted and leaked.
- C. During logging, debugging should be disabled for the webhook message.
- D. Hashing the credentials in the database is not secure enough; the credentials should be encrypted.

Show Suggested Answer



Actual exam question from Cisco's 200-901

Question #: 103

Topic #: 1

[\[All 200-901 Questions\]](#)

HTTP Request

```
curl http://hello-api.info -v
```

HTTP Response

```
* Trying hello-app.info...
* TCP_NODELAY set
* Connected to hello-app.info (hello-app.info) port 80 (#0)
> GET / HTTP/1.1
> Host:hello-app.info
> User-Agent: curl/7.64.1
> Accept: */*
>
< HTTP/1.1 502 Bad Gateway
< Server: nginx/1.14.0 (Ubuntu)
< Date: Sat, 21 Nov 2020 11:09:54 GMT
< Content-Type: text/html
< Content-Length: 182
< Connection: keep-alive
```

Refer to the exhibit. A developer cannot reach the web application behind an NGINX load balancer. The developer sends a request to an application FQDN with cURL but gets an HTTP 502 response. Which action solves the problem?

- A. Fix errors in the server configuration, which is behind the load balancer.
- B. Bring up the load balancer to the active state.
- C. Fix errors in the cURL request sent by the client.
- D. Change the default gateway on the load balancer to an active one.

Show Suggested Answer

Actual exam question from Cisco's 200-901

Question #: 104

Topic #: 1

[\[All 200-901 Questions\]](#)

```
import requests, sys
from config import user, password

url = "http://restconf.devnet.com:9443/api/running/interfaces"
headers = 
response = requests.put(url, auth=(user, password), headers=headers, verify=False)
print(response.text)
```

Refer to the exhibit. A network engineer wants use API update information about device interfaces. The network devices are deployed in a Cisco DevNet Sandbox and have running interfaces. Which value is suitable as the headers variable?

- A. {'Content-Type': 'application/yang.data+yaml', 'Accept': 'application/yang.data+yaml'}
- B. {'Content-Type': 'application/yang.data+json', 'Accept': 'application/yang.data+json'}
- C. {'Content-Type': 'application/yang.data+utf8', 'Accept': 'application/yang.data+utf8'}
- D. {'Content-Type': 'application/restconf.data+txt', 'Accept': 'application/restconf.data+txt'}

Show Suggested Answer



Actual exam question from Cisco's 200-901

Question #: 105

Topic #: 1

[\[All 200-901 Questions\]](#)

Which action do webhooks enable an application to perform?

- A. Increase the request rate limit.
- B. Populate the application with restricted data.
- C. Receive real-time data.
- D. Implement a push model.

Show Suggested Answer

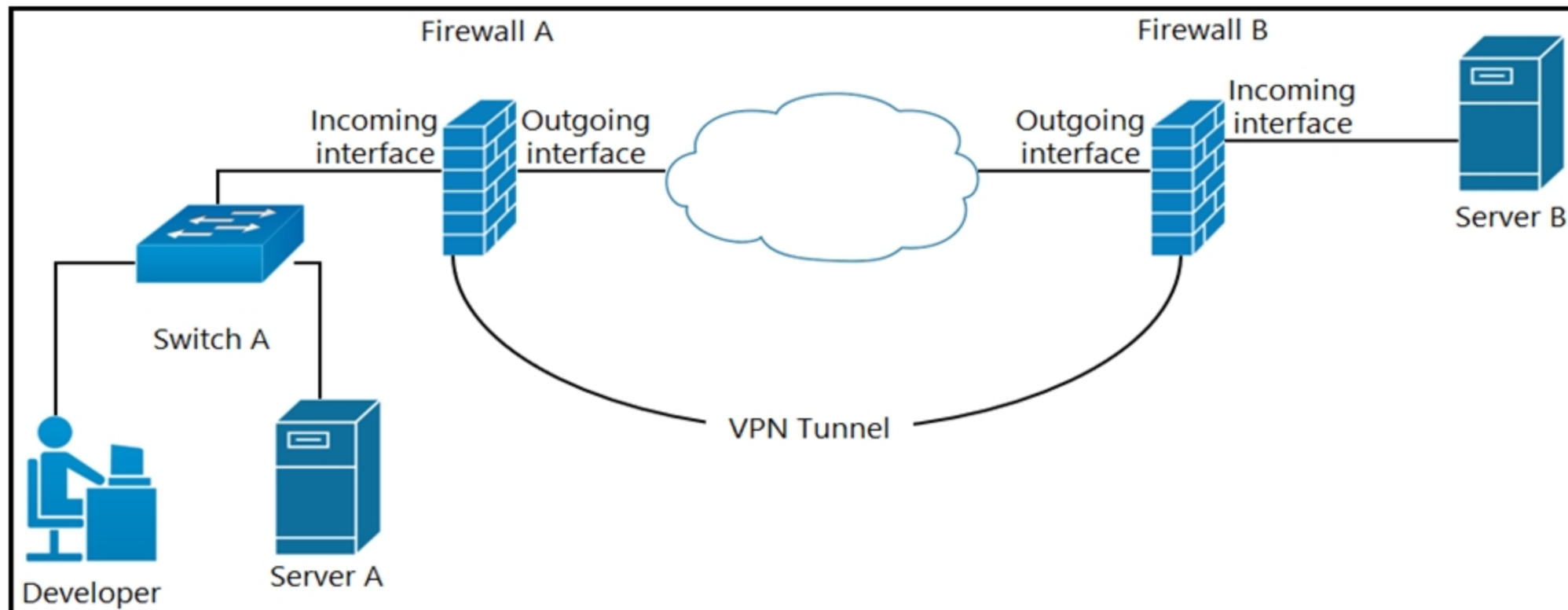


Actual exam question from Cisco's 200-901

Question #: 106

Topic #: 1

[\[All 200-901 Questions\]](#)



Refer to the exhibit. A developer can access the TLS REST API on server A, but cannot access the API on server B. The developer can ping server B. When the developer performs a packet capture on the TLS REST API port on server B, the capture shows that the packet arrived and the server responded. What causes the issue?

- A. Port 80 is blocked on the outgoing interface of firewall B.
- B. Port 443 is blocked on the outgoing interface of firewall A.
- C. Port 443 is blocked on the incoming interface of firewall B.
- D. Port 80 is blocked on the incoming interface of firewall A.

Show Suggested Answer

Actual exam question from Cisco's 200-901

Question #: 107

Topic #: 1

[\[All 200-901 Questions\]](#)

DRAG DROP -

/api/access/global/rules API operations on global access rules. GET PUT PATCH **POST** DELETE

Implementation Notes
Add a new global access rule.

Parameters

Parameter	Required	Description	Type	Data Type
body	true	Definition of the global access rule to be added.	body	ExtendedACE

Response
Response Content Type
Response Object **ExtendedACE**

ExtendedACE Model

Field	Value	Description	Constraints
sourceAddress*	object	source address in the ace	None
destinationAddress*	object	destination address in the ace	None
kind*	string	The kind of this resource object.	None
dstSecurity	object	destination security group in the ace	None
dstSecurity. Value	string		None
active*	boolean	shows if the rule is active or inactive, default is active	None
destinationService*	object	destination service in the ace	None
permit*	boolean	shows if the action is permit or deny	None

Refer to the exhibit. Drag and drop the code from the bottom onto the box where the code is missing to complete the function that adds a new global access rule that denies traffic using the Cisco ASA REST API. Not all options are used.

Select and Place:

```
import requests as req
def add_rule(token, asa_IP, dest v4Address):
    data = {
        "destinationAddress": {
            "kind": "IPv4Address",
            "value": dest v4Address
        },
        "destinationService": {
            "kind": "NetworkProtocol",
            "value": "ip"
        },
        
        "active": True,
        "sourceAddress": {
            "kind": "AnyIPAddress",
            "value": "any4"
        }
    }
    objectRequestUrl='https://' + 
    res = req.request(
                     json=data,verify=False)
    
    print("Success.")
else:
    print("Failed")
```

Actual exam question from Cisco's 200-901

Question #: 108

Topic #: 1

[\[All 200-901 Questions\]](#)

DRAG DROP -

Drag and drop the API characteristics from the left onto the categories on the right.

Select and Place:

The API is seen as a function call.

There is communication between server and client.

It follows a resource-oriented model.

The API can be stateless.

REST

RPC

Show Suggested Answer



Actual exam question from Cisco's 200-901

Question #: 109

Topic #: 1

[\[All 200-901 Questions\]](#)

How are operations on REST APIs performed as compared to RPC APIs?

- A. In a REST API, operations are performed on an object (node) that is identified by a URL, but RPC APIs are operation-oriented.
- B. In a REST API, operations are performed on an external resource that is defined on the API, but the RCP APIs are resource-oriented.
- C. In a REST API, operations are performed on a platform that is identified by the URL, but RPC APIs are platform-oriented.
- D. In a REST API, operations are performed on an internal resource that is defined on the API, but RPC APIs are resource-oriented.

Show Suggested Answer





Actual exam question from Cisco's 200-901

Question #: 110

Topic #: 1

[\[All 200-901 Questions\]](#)

Which HTTP error code series relates to redirection?

- A. 400
- B. 500
- C. 200
- D. 300

Show Suggested Answer





Actual exam question from Cisco's 200-901

Question #: 111

Topic #: 1

[\[All 200-901 Questions\]](#)

Which platform has an API that can be used to obtain a list of vulnerable software on user devices?

- A. Cisco Umbrella
- B. Cisco Firepower
- C. Cisco Identity Services Engine
- D. Cisco Advanced Malware Protection

Show Suggested Answer





Actual exam question from Cisco's 200-901

Question #: 112

Topic #: 1

[\[All 200-901 Questions\]](#)

Which two items are Cisco DevNet resources? (Choose two.)

- A. TAC Support
- B. Software Research
- C. API Documentation
- D. Bitbucket
- E. Sandbox

Show Suggested Answer



Actual exam question from Cisco's 200-901

Question #: 113

Topic #: 1

[\[All 200-901 Questions\]](#)

FILL BLANK -

Fill in the blanks to complete the Python script to update the Webex Teams membership of a room using the Python requests library. import requests url =

```
`https://api.ciscopark.com/v1/memberships/
```

```
Y2IzY29zcGFyazov379971079INISVAvOTJiM2RkOWEtNjc1ZC00YTQxLTJhNDEtMmFiZGY4OWY0NGY0OjExNzJkNmYwLTJlYzZmMTF0OS1iOWI3LWNmMjg3M
```

```
TJhYTgzNw`
```

```
my_token = `AbCdEf123456`
```

```
payload = `{\"isModerator\": true}`
```

```
headers = {
```

```
'Authorization': 'Bearer' + my_token,
```

```
'Content-Type': 'application/json'
```

```
}
```

```
response = requests. _____ (`PATCH`, url, headers= _____, data = _____ ) print(response.text.encode('utf8'))
```

Show Suggested Answer





Actual exam question from Cisco's 200-901

Question #: 114

Topic #: 1

[\[All 200-901 Questions\]](#)

While developing a real-time VoIP application on a Cisco Webex platform, users report that their voice gets chopped or parts of the conversation drop out. Which network constraint is impacting the application?

- A. jitter
- B. capacity
- C. delay
- D. latency

Show Suggested Answer



Actual exam question from Cisco's 200-901

Question #: 115

Topic #: 1

[\[All 200-901 Questions\]](#)

FILL BLANK -

Refer to the exhibit.

List Rooms

List rooms.

The `title` of the room for 1:1 rooms will be the display name of the other person.

By default, lists rooms to which the authenticated user belongs.

Long result sets will be split into [pages](#).

GET `/v1/rooms`

Query Parameters

Name	Description
<code>teamId</code> string	List rooms associated with a team, by ID.
<code>type</code> string	List rooms by type. <i>Possible values: direct, group</i>
<code>sortBy</code> string	Sort results. <i>Possible values: id, lastactivity, created</i>
<code>max</code> number	Limit the maximum number of rooms in the response. Default: <code>100</code>

Fill in the blank to complete the query parameter and value so that the result set is returned in reverse chronological order (most recent first) based on when messages were posted to those rooms.

HTTP GET `/v1/rooms` _____

Show Suggested Answer

Actual exam question from Cisco's 200-901

Question #: 116

Topic #: 1

[\[All 200-901 Questions\]](#)

A company has written a script that creates a log bundle from the Cisco DNA Center every day. The script runs without error and the log bundles are produced. However, when the script is run during business hours, people report poor voice quality of phone calls. What explains this behavior?

- A. The script is written in a low-level programming language where there is no memory safety. This causes a buffer overflow and disruption on the network.
- B. The speed and duplex settings in Cisco DNA Center are set incorrectly, which causes the transfer to be too slow.
- C. The script is running in the Voice VLAN and causes delays and jitter in the subnet.
- D. Generating the logs causes the CPU on the network controller to spike, which causes delays in forwarding the voice IP packets.

Show Suggested Answer





Actual exam question from Cisco's 200-901

Question #: 117

Topic #: 1

[\[All 200-901 Questions\]](#)

FILL BLANK -

Fill in the blanks to complete the statement.

Cisco DNA Center provides the capability to send an HTTP _____ request to the API endpoint `https://DNA-C_API_ADDRESS/api/v1/network-device/` and receive a list of network _____ in _____ format.

[Show Suggested Answer](#)



Actual exam question from Cisco's 200-901

Question #: 118

Topic #: 1

[\[All 200-901 Questions\]](#)

FILL BLANK -

Fill in the blanks to complete the Python script to retrieve a list of network devices using the Cisco DNA Center API. my_token=

'eyJ0eXAiOiJKV1QiLCJhbGciOiJIUzI1NiJ9.eyJzdWwiOiI1ZDE0WZkMjhlZTY2

MmQ3NGM5YzE5ZTIiImYzMCIslmV4cCI6MTU3MjM3ODE5MCwidXNlcm5hbWUiOiJraX

N370940885.zhK5LPQd501ZUpZi0IH_qrgOXttINbxSFFF7JOEtRis'

```
import requests
```

```
url = `https://myDNAServer/dna/intent/api/v1/network-device`
```

```
payload = {}
```

```
headers = {'x-auth-token': my_token}
```

```
response = requests.request( _____ , url,
```

```
headers = _____, data = _____ ) print(response.text.encode('utf8'))
```

Show Suggested Answer



Actual exam question from Cisco's 200-901

Question #: 119

Topic #: 1

[\[All 200-901 Questions\]](#)

DRAG DROP -

Drag and drop the requests from the left into the order on the right to create and check the path trace between two devices using Cisco DNA center API.

Select and Place:

GET /api/v1/flow-analysis/{flowAnalysisId}

POST /api/v1/flow-analysis

POST /api/system/v1/auth/token

GET /api/v1/network-device/ and choose IP
of source and destination devices

Step 1

Step 2

Step 3

Step 4

Show Suggested Answer



Actual exam question from Cisco's 200-901

Question #: 120

Topic #: 1

[\[All 200-901 Questions\]](#)

DRAG DROP -

SDK Documentation:

Class: Devices

Device List: get_device_list()

Get device: get_device_by_id(id)

Delete device: delete_device_by_id(id)

Device status: inventoryStatusDetail

Device Parameters:

id

upTime

type

Refer to the exhibit. A Python script must delete all Cisco Catalyst 9300 Series switches that have an uptime that is greater than 90 days. The script must also query for the status of all the other devices. Drag and drop the code from the bottom onto the box where the code is missing to complete the script. Not all options are used.

Select and Place:

Answer Area

```
from dnacentersdk import DNACenterAPI
```

```
device_type = "Cisco Catalyst 9300 Switch"
```

```
api_session = DNACenterAPI(
```

```
    base_url="https://sandboxdnac.cisco.com",
```

```
    username="user",password="password"
```

```
)
```

```
devices =
```

```
for device in devices:
```

```
    if int(device.upTime.split()[0]) > 90:
```

```
        if device.type == device type:
```

```
            output =
```

```
            print(output)
```

```
else:
```

```
    selected device =
```

```
    output =
```

```
    print (output)
```

```
selected_device.response.inventoryStatusDetail(device)
```

```
api_session.devices.delete_device_by_id(device.id)
```

```
api_session.devices.get_device_by_id(device.id)
```

```
selected_device.response.inventoryStatusDetail
```

```
api_session.devices.get_device_list().response
```

Show Suggested Answer

Actual exam question from Cisco's 200-901

Question #: 121

Topic #: 1

[\[All 200-901 Questions\]](#)

Refer to the exhibit.

```
class ucsm sdk . ucshandle . Uc s Handle ( ip , username , password , port = None , secure = None , proxy = None )
```

Bases: `ucsm sdk . uc s session . Uc s Session`

[\[source\]](#)

UcsHandle class is the user interface point for any Ucs related communication.

- Parameters:**
- **ip** (*str*) – The IP or Hostname of the UCS Server
 - **username** (*str*) – The username as configured on the UCS Server
 - **password** (*str*) – The password as configured on the UCS Server
 - **port** (*int or None*) – The port number to be used during connection
 - **secure** (*bool or None*) – True for secure connection, otherwise False
 - **proxy** (*str*) – The proxy object to be used to connect

Given the API documentation for the UCS SDK Python class, UcsHandle, which code snippet creates a handle instance?

A.

```
#!/usr/bin/env python3
from ucsm sdk . ucshandle import Uc s Handle
handle = Uc s Handle (" 10 . 1 . 2 . 254 " , " admin " , " password " ,
    port = " 443 " , secure = True )
```

B.

```
#!/usr/bin/env python3
from ucsm sdk . ucshandle import Uc s Handle
handle = Uc s Handle ( ip = " 10 . 1 . 2 . 254 " , username = " admin " ,
    password = " password " , port = 443 , secure = True )
```

C.

```
#!/usr/bin/env python3
from ucsm sdk . ucshandle import Uc s Handle
handle = Uc s Handle (" 10 . 1 . 2 . 254 " , " admin " , " password " ,
    port = " 443 " , secure = 1 )
```

D.

```
#!/usr/bin/env python3
import ucsm sdk . ucshandle . Uc s Handle
handle = Uc s Handle (" 10 . 1 . 2 . 254 " , " admin " , " password " ,
    port = " 443 " , secure = 1 )
```

Show Suggested Answer

Actual exam question from Cisco's 200-901

Question #: 122

Topic #: 1

[\[All 200-901 Questions\]](#)

Refer to the exhibits.

For CLI commands that support XML, the `clid()` method returns JSON output. An exception is thrown when XML is not used. Executes CLI commands. Takes CLI command string and returns show command output in a JSON form.

“

Note: The “clid” API can be useful when searching the output of show commands using JSON tools as shown in the example.

PYTHON

Example:

```
>>> import json
>>> from cli import *
>>> jversion = json.loads(clid("show
version"))
>>> jversion['bios_ver_str']
'08.06'
```

Arguments:

- `cmd`: Single CLI command or a batch of CLI commands. Delimiter for multiple CLI commands is a space followed by a semicolon. Configuration commands must be in a fully qualified form.

Returns:

- `string`: JSON-formatted output of show commands.

```
>>> from cli import *
>>> import json

>>>
>>> cli('configure terminal ; interface loopback 5 ; no shut')
''
>>> intflist=json.loads(clid('show interface brief'))
>>> i=0
>>> while i < len (intflist['TABLE_interface']['ROW_interface']):
...     intf=intflist['TABLE_interface']['ROW_interface'][i]
...     i=i+1
...     if intf['state'] == 'up':
...         print intf['interface']
```

The Python interpreter and the Cisco Python SDK are available by default in the Cisco NX-OS Software. The SDK documentation shows how the `clid()` API can be used when working with JSON and XML. What are two effects of running the script? (Choose two.)

- A. configure interface loopback 5
- B. show details for the TABLE interface
- C. issue shutdown on interface loopback 5
- D. show only the interfaces in the up status
- E. show only the interfaces in admin shut status

Show Suggested Answer

Actual exam question from Cisco's 200-901

Question #: 123

Topic #: 1

[\[All 200-901 Questions\]](#)

DRAG DROP -

Drag and drop the element of the Finesse API on the left onto its functionality on the right.

Select and Place:

User	Represents a skill group in Unified CCE.
Dialog	Represents the current state of the system.
Media	Represents an agent, supervisor or administrator.
Queue	Represents a group of users.
Team	Represents a call and the participants if the media type is voice.
SystemInfo	Sends client-side logging to the Finesse Server.
ClientLogs	Represents a user's state in a non-voice Media Routing Domain.

Show Suggested Answer



Actual exam question from Cisco's 200-901

Question #: 124

Topic #: 1

[\[All 200-901 Questions\]](#)

What are two key capabilities of Cisco Finesse? (Choose two.)

- A. Agents access Finesse from a browser without needing to install or configure anything on the client machine.
- B. An OpenDNS utility is preconfigured and ready to use on Finesse.
- C. Gadget containers provide a seamless experience in a single user interface.
- D. Finesse automatically collects telemetry data.
- E. Finesse includes an RPC API that enables the development of custom gadgets.

Show Suggested Answer



Actual exam question from Cisco's 200-901

Question #: 125

Topic #: 1

[\[All 200-901 Questions\]](#)

Which two statements are true about Cisco UCS Manager, Cisco UCS Director, or Cisco Intersight APIs? (Choose two.)

- A. UCS Manager uses JSON to encode API interactions and utilizes Base64-encoded credentials in the HTTP header for authentication.
- B. UCS Director API interactions can be XML- or JSON-encoded and require an API key in the HTTP header for authentication.
- C. Cisco Intersight uses XML to encode API interactions and requires an API key pair for authentication.
- D. UCS Manager API interactions are XML-encoded and require a cookie in the method for authentication.
- E. Cisco Intersight API interactions can be encoded in XML or JSON and require an API key in the HTTP header for authentication.

Show Suggested Answer



Actual exam question from Cisco's 200-901

Question #: 126

Topic #: 1

[\[All 200-901 Questions\]](#)

DRAG DROP -

Drag and drop the capability on the left onto the Cisco compute management platform that supports the capability on the right.

Select and Place:

Multi-Cloud automation and orchestration platform for Cisco and third-party servers, networks, storage, and converged infrastructure.

Software as a Service Platform that enables Cisco infrastructure management, automation and orchestration from anywhere.

Embedded software that enables Cisco server, fabric, and storage provisioning.

UCS Manager

UCS Director

Cisco Intersight

Show Suggested Answer





Actual exam question from Cisco's 200-901

Question #: 127

Topic #: 1

[\[All 200-901 Questions\]](#)

Which model-driven programmability protocol does Cisco IOS XE Software support?

- A. gNMI
- B. SOAP
- C. SSH
- D. CORBA

Show Suggested Answer





Actual exam question from Cisco's 200-901

Question #: 128

Topic #: 1

[\[All 200-901 Questions\]](#)

Which operation is performed with YANG model-driven programmability in NX-OS?

- A. configure a device with native and OpenConfig-based models
- B. bootstrap a device that has a factory-default configuration
- C. send CLI commands to a device and retrieve output in JSON format
- D. run Linux commands natively on the device

Show Suggested Answer





Actual exam question from Cisco's 200-901

Question #: 129

Topic #: 1

[\[All 200-901 Questions\]](#)

What are two benefits of model-driven programmability? (Choose two.)

- A. easier to design, deploy, and manage APIs
- B. single choice of transport, protocol, and encoding
- C. models decoupled from transport, protocol, and encoding
- D. model-based, structured, and human friendly
- E. model-driven APIs for abstraction and simplification

Show Suggested Answer





Actual exam question from Cisco's 200-901

Question #: 130

Topic #: 1

[\[All 200-901 Questions\]](#)

What is a benefit of model-driven programmability?

- A. It provides a programmatic and standards-based way of writing configurations to any network device.
- B. By modeling data, it ensures that vast quantities of data are usable for monitoring.
- C. It simplifies management and operations by decoupling the networking hardware from its control mechanism.
- D. It addresses the static architecture of traditional networks being decentralized and complex.

Show Suggested Answer





Actual exam question from Cisco's 200-901

Question #: 131

Topic #: 1

[\[All 200-901 Questions\]](#)

Which type of HTTP method is used by the Meraki and Webex Teams APIs to send webhook notifications?

- A. HTTP POST
- B. HTTP GET
- C. HTTP HEAD
- D. HTTP PUT

Show Suggested Answer

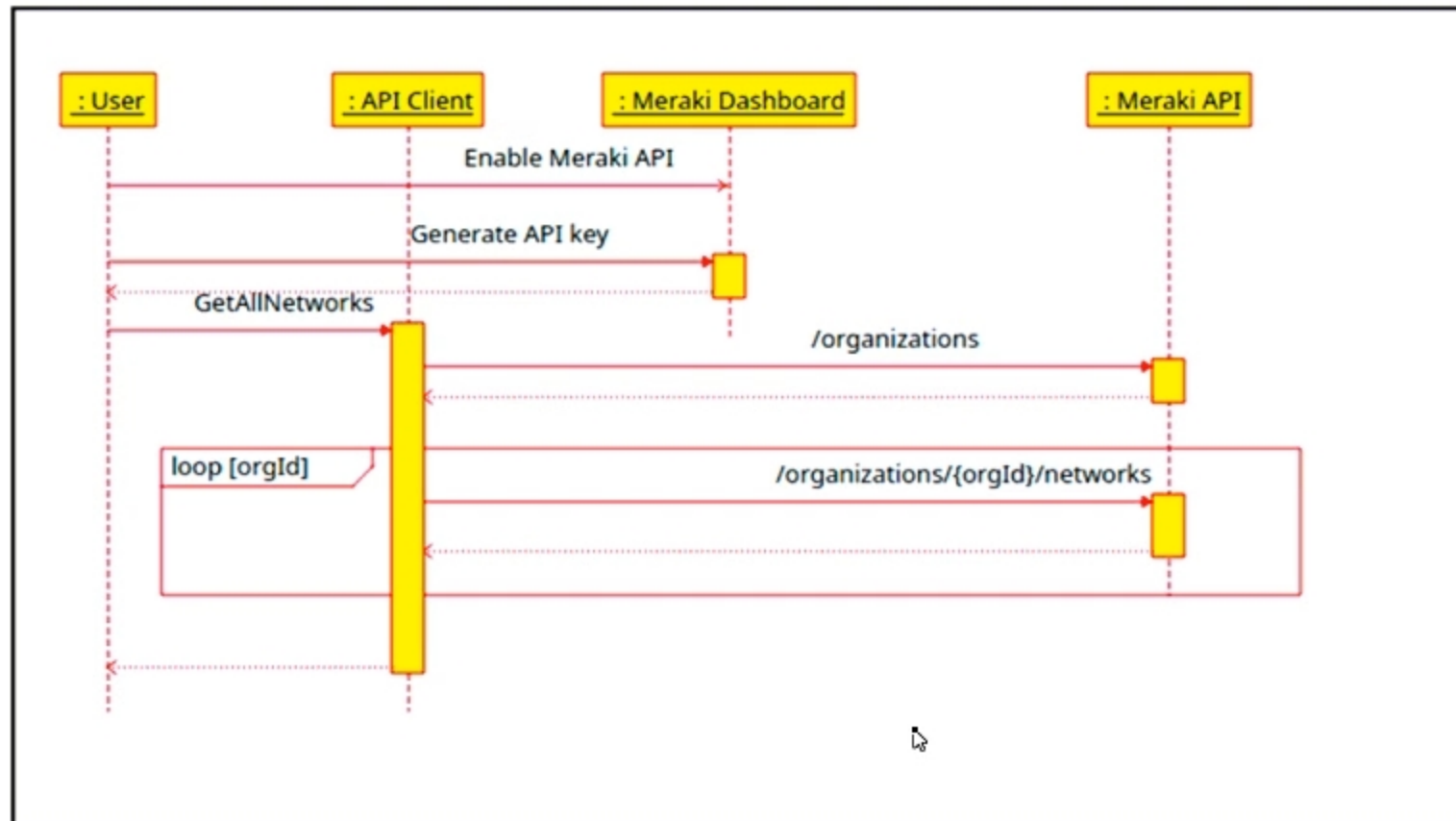


Actual exam question from Cisco's 200-901

Question #: 132

Topic #: 1

[\[All 200-901 Questions\]](#)



Refer to the exhibit. The Cisco Meraki API manages two organizations. In each organization, two independent networks are defined. How many calls to the `/organizations/{orgId}/networks` endpoint will be run parallel by the `GetAllNetworks` function of the API client?

- A. 0
- B. 1
- C. 2
- D. 4

Show Suggested Answer

Actual exam question from Cisco's 200-901

Question #: 133

Topic #: 1

[\[All 200-901 Questions\]](#)

Refer to the exhibit.

```
$ pyang -f tree Cisco-IOS-XE-native.yang
module: Cisco-IOS-XE-native
  +--rw native
    +--rw logging
      +--rw monitor!
        +--rw severity?  logging-level-type

$ curl --insecure -v -X PATCH \
  "https://ios-xe-mgmt-latest.cisco.com:9443/restconf/data/Cisco-IOS-XE-native:native" \
  -H 'Authorization: Basic ZGV27HKvCGVyOkMXc2NVMTIZNOU=' -H 'Accept: application/yang-data+json' \
  -H 'Content-Type: application/yang-data+json' \
  -d '{ "Cisco-IOS-XE-native:native" : { "logging" : { "monitor" : { "severity" : "alerts" }} } }'
> ...
< ...
< HTTP/1.1 204 No Content
```

The definition of the YANG module and a RESTCONF query sent to a Cisco IOS XE device is shown. Why does the RESTCONF interface respond with a 204 status code?

- A. The query retrieved the logging severity level.
- B. The query updated the logging severity level or created it if not present on the device.
- C. The query failed at retrieving the logging severity level.
- D. The query failed to set the logging severity level due to an invalid path.

Show Suggested Answer



Actual exam question from Cisco's 200-901

Question #: 134

Topic #: 1

[\[All 200-901 Questions\]](#)

What is a requirement when authenticating a RESTCONF API session with a router that runs Cisco IOS XE Software?

- A. No authentication is required.
- B. OAuth must be used.
- C. A token must be retrieved and the associated string must be embedded in the X-Auth-Token header.
- D. Basic authentication must be used.

Show Suggested Answer





Actual exam question from Cisco's 200-901

Question #: 135

Topic #: 1

[\[All 200-901 Questions\]](#)

Which API must an engineer use to change a netmask on a Cisco IOS XE device?

- A. Meraki
- B. SD-WAN
- C. RESTCONF/YANG
- D. DNAC

Show Suggested Answer





Actual exam question from Cisco's 200-901

Question #: 136

Topic #: 1

[\[All 200-901 Questions\]](#)

A developer creates a script that configured multiple Cisco IOS XE devices in a corporate infrastructure. The internal test environment is unavailable, and no maintenance window is available to test on a low-priority production environment. Which resource is used to test the code before it is applied to the production environment?

- A. Code Exchange
- B. Cisco Support
- C. Cisco DevNet Learning Labs
- D. Cisco DevNet Sandbox

[Show Suggested Answer](#)





Actual exam question from Cisco's 200-901

Question #: 137

Topic #: 1

[\[All 200-901 Questions\]](#)

Which tool is used to block all traffic to the domain by using a single API call?

- A. Cisco Firepower
- B. Cisco AMP
- C. Cisco Umbrella
- D. Cisco ISE

Show Suggested Answer





Actual exam question from Cisco's 200-901

Question #: 138

Topic #: 1

[\[All 200-901 Questions\]](#)

Why is refactoring done during test-driven development?

- A. to enable larger objects and longer methods
- B. to improve maintainability and readability
- C. to ensure that the previous uses of the objects are explained
- D. to ensure the duplication of essential code

Show Suggested Answer



Actual exam question from Cisco's 200-901

Question #: 139

Topic #: 1

[\[All 200-901 Questions\]](#)

```
1  from requests import request
2  from requests.auth import HTTPBasicAuth
3  from sys import argv
4  url = "https://" + argv[1] + ":443/restconf/data/native/ip/route"
5  auth = HTTPBasicAuth('developer', 'Cisco12345')
6  payload = {
7      "Cisco-IOS-XE-native:route": {
8          "ip-route-interface-forwarding-list": [
9              {
10                 "prefix": argv[2],
11                 "mask": argv[3],
12                 "fwd-list": [
13                     {
14                         "fwd": "GigabitEthernet2",
15                         "interface-next-hop": [
16                             {
17                                 "ip-address": argv[4]
18                             }
19                         ]
20                     }
21                 ]
22             }
23         ]
24     }
25 }
26 headers = {
27     'Content-Type': 'application/yang-data+json',
28     'Accept': 'application/yang-data+json',
29 }
30 response = request("PATCH", url, auth=auth, headers=headers, json = payload,
    · verify=False)
```

Refer to the exhibit. A network engineer must change the configuration on devices daily. The Python script must collect CLI arguments from the user, organize data according to the Cisco-IOS-XE-native YANG model, and utilize Cisco REST APIs to make the configuration. Which workflow is being automated by the Python script?

- A. updating an existing route on the device
- B. adding a new route to a device
- C. including a route on the device and overwriting the current routes
- D. deleting the route that is passed through the command-line variables

Show Suggested Answer



Actual exam question from Cisco's 200-901

Question #: 140

Topic #: 1

[\[All 200-901 Questions\]](#)

Which platform is used to programmatically create a space and invite users for collaboration?

- A. Cisco Intersight
- B. Cisco Finesse
- C. Cisco Webex
- D. Cisco UCM

Show Suggested Answer



Actual exam question from Cisco's 200-901

Question #: 141

Topic #: 1

[\[All 200-901 Questions\]](#)

POST <https://webexapis.com/v1/teams> Send

Params Authorization Headers (9) Body • Pre-request Script Tests Settings

Headers 8 hidden

KEY	VALUE	DESCRIPTION *** Bulk E
<input checked="" type="checkbox"/> Authorization	Bearer OTVjNDk5ZGQtNDc5Yi00MwZGEtZGINDYNzdh_Pf84_consumer	
Key	Value	Description

Body • 1 {
2 | "team": "cisco"
3 }
4

Body Cookies Headers (9) Test Results Status: 400 Bad Request Time: 173 ms Size: 514 B Sav

Pretty Raw Preview Visualize **JSON** ☰

```
1 {  
2 | "message": "The request could not be understood by the server due to malformed syntax.",  
3 | "errors": [  
4 | | {  
5 | | | "description": "The request could not be understood by the server due to malformed syntax."  
6 | | }  
7 | ],  
8 | "trackingId": "ROUTER_5FBACE02-90AE-01BB-6DE-AC12DF566D6E"  
9 }
```

Refer to the exhibit. A developer wants to create a room named cisco through Webex API. The developer prepares the request by putting an API token inside the authorization header; however, the given HTTP call returns error code 400. How must the call parameters be changed to ensure a valid response?

- A. Replace the team body parameter with the name body parameter.
- B. Replace cisco with a valid name for a team.
- C. Change the token in the header with the authorization token.
- D. Change the HTTP method of the call to PUT.

Show Suggested Answer

Actual exam question from Cisco's 200-901

Question #: 142

Topic #: 1

[\[All 200-901 Questions\]](#)

```
$ sh script.sh
Traceback (most recent call last):
  File "script.py", line 2, in <module>
    api = WebexTeamsAPI()
  File "/opt/.venv/pyvenv35/lib/python3.5/site-packages/webexsdk/api/__init__.py", line 112,
in __init__
    "You must provide a Webex Teams access token to interact with "
webexsdk.exceptions.AccessTokenError: You must provide a Webex Teams access token to interact
with the Webex Teams APIs, either via a WEBEX_TEAMS_ACCESS_TOKEN environment variable or via the
access_token argument.
$
$
$ cat script.sh
#!/bin/bash

python script.py
$
```

Refer to the exhibit. Which line must be included in the Bash script for the Python code to succeed?

- A. define WEBEX_TEAMS_ACCESS_TOKEN=your_access_token_here
- B. export WEBEX_TEAMS_ACCESS_TOKEN=your_access_token_here
- C. set WEBEX_TEAMS_ACCESS_TOKEN=your_access_token_here
- D. WEBEX_TEAMS_ACCESS_TOKEN=your_access_token_here

Show Suggested Answer



Actual exam question from Cisco's 200-901

Question #: 143

Topic #: 1

[\[All 200-901 Questions\]](#)

What is a capability of the NETCONF protocol?

- A. allows Python scripts to be executed externally from a network device
- B. uses JSON to encode data in its content layer
- C. allows XML messages to be exchanged via the SSH protocol
- D. exposes a web-based interface

Show Suggested Answer



Actual exam question from Cisco's 200-901

Question #: 144

Topic #: 1

[\[All 200-901 Questions\]](#)

```
<rpc message-id="101" xmlns="urn:ietf:params:xml:ns:Netconf:base:1.0">
  <get-conflg>
    <source>
      <running/>
    </source>
    <filter>
      <interfaces xmlns="urn:ietf:params:xml:ns:yang:ietf-interfaces">
        <interface>
          <name/>
        </interface>
      </interfaces>
    </filter>
  </get-config>
</rpc>
```

Refer to the exhibit. A network engineer uses model-driven programmability to monitor and perform changes on the network. The network engineer decides to use the NETCONF RPC message to complete one of their tasks. What is accomplished by sending the RPC message?

- A. The running-config of the device is returned.
- B. The name of each interface is reset to a default name.
- C. All the YANG capabilities supported by the device are returned.
- D. A list of interface names is returned.

Show Suggested Answer

Actual exam question from Cisco's 200-901

Question #: 145

Topic #: 1

[\[All 200-901 Questions\]](#)

DRAG DROP -

Drag and drop the code from the bottom onto the box where the code is missing in the Python script to complete a function to return all the clients on a network by using the Cisco Meraki Dashboard API. Not all options are used.

Select and Place:

```
import requests
import json
url = 'https://dashboard.meraki.com/api/v0/'
headers = {'': '0110c4e1b8a1',
           'Content-Type': ''}
orgs = json.loads(requests.get(url+'organizations', headers=headers).text)

for org in orgs:
    nets = json.loads(requests.get(url+'organizations/'+org['id']+'/networks',
    headers=headers).text)
    for net in nets:
        clients = json.loads(requests.get(
            url+ '' /'+net['id']+'/' ,
            headers=headers).text)
        for client in clients:
            print(client['ip'])
```

client

application/json

application/xml

clients

X-Cisco-Meraki-API-Key

networks

Authorization: Bearer

Show Suggested Answer

Actual exam question from Cisco's 200-901

Question #: 146

Topic #: 1

[\[All 200-901 Questions\]](#)

```
import requests
from requests.auth import HTTPBasicAuth
from dnac_config import DNAC, DNAC_PORT, DNAC_USER, DNAC_PASSWORD

def get_auth_token():
    url = 'https://sandboxdnac.cisco.com/dna/system/api/v1/auth/token'
    # API Endpoint: requires POST method
    

def get_device_list():
    """
    Building out function to retrieve list of devices. Using requests.get to make a call
    to the network de-vice Endpoint
    """
    token = get_auth_token() # Get Token
    url = 'https://sandboxdnac.cisco.com/api/v1/network-device'
    hdr = {'x-auth-token': token, 'content-type' : 'application/json'}
    resp = requests.get(url, headers=hdr)
    device_list = resp.json()
    print_device_list(device_list)

if __name__ == "__main__":
    get_device_list()
```

Refer to the exhibit. A developer creates a script to obtain a list of devices by using the Cisco DNA Center API. The remote server authorizes the request only if an authentication token is supplied in the headers. A function named `get_auth_token()` must retrieve a valid token by using HTTP Basic Authentication. Which code must be added to complete the `get_auth_token()` function?

- A. `resp = requests.post(url, auth=HTTPBasicAuth(DNAC_USER, DNAC_PASSWORD)) token = resp.json()['Token'] return token`
- B. `resp = requests.post(url, auth=(DNAC_USER, DNAC_PASSWORD)) token = resp.json ()['Token'] return token`
- C. `resp = http.post(url, auth=HTTPBasicAuth(DNAC_USER, DNAC_PASSWORD)) token = resp.json()['Token'] return token`
- D. `resp = http.post(url, auth=(DNAC_USER, DNAC_PASSWORD)) token = resp.json()['Token'] return token`

Show Suggested Answer

Actual exam question from Cisco's 200-901

Question #: 147

Topic #: 1

[\[All 200-901 Questions\]](#)

DRAG DROP -

Devices

Get Device Count

Operation Id: `getDeviceCount`

Description: Returns the count of network devices based on the filter criteria by management IP address, mac address, hostname and location name

GET

`/dna/intent/api/v1/network-device/count`

Request Parameters

Responses

Status: 200

The request was successful. The result is contained in the response body.

Schema Definition	Example Body
<div style="display: flex; align-items: center;"> <div style="margin-right: 10px;"> <input type="checkbox"/> </div> <div> <p style="color: #4a7ebb; margin: 0;">CountResult</p> <ul style="list-style-type: none"> response: integer version: string </div> <div style="margin-left: 10px; align-self: center;">+ -</div> </div>	

Refer to the exhibit. Drag and drop the code snippets from the bottom onto the blanks in the code to construct a request to find the Cisco DNA Center switch count. Not all options are used.

Select and Place:

```
curl -L --request  \
--  https://dna/intent/api/v1/network-device/  \
--header '  : application/json' \
--header 'Accept: application/json'
```


Show Suggested Answer

Actual exam question from Cisco's 200-901

Question #: 148

Topic #: 1

[\[All 200-901 Questions\]](#)

```
import requests, sys
from config import user, password

url = "http://restconf.devnet.com:9443/api/running/interfaces"
headers = 
response = requests.put(url, auth=(user, password), headers=headers,
verify=False)
print(response.text)
```

Refer to the exhibit. A network engineer wants to use an API to update information about device interfaces. The network devices are deployed in a Cisco DevNet Sandbox and have running interfaces. Which line of code needs to be placed in the snippet where the code is missing?

- A. {'Content-Type': 'application/yang.data+xml', 'Accept': 'application/yang.data+xml'}
- B. {'Content-Type': 'application/yang.data+yaml', 'Accept': 'application/yang.data+yaml'}
- C. {'Content-Type': 'application/restconf.data+json', 'Accept': 'application/restconf.data+json'}
- D. {'Content-Type': 'application/yang.data+utf8', 'Accept': 'application/restconf.data+utf8'}

Show Suggested Answer

Actual exam question from Cisco's 200-901

Question #: 149

Topic #: 1

[\[All 200-901 Questions\]](#)

```
1 #/bin/bash
2
3 curl https://cisco devnet.com/devnet-0.13.tar.gz -o /tmp/devnet.tar.gz
4 tar -zxf /tmp/devnet.tar.gz
5 mkdir /tmp/devnet && pushd /tmp/devnet
6
7 ./configure && make && make install
8
9 systemctl enable devnet
10 systemctl start devnet
```

Refer to the exhibit. A network engineer works on a Cisco DevNet application that is available for download on the Cisco DevNet website. The engineer prepares a bash script to automate operations that relate to the application. Which workflow is being automated in the bash script?

- A. compilation and configuration of the Cisco DevNet application so that it must be started manually
- B. compilation, installation, and configuration of the Cisco DevNet application so that it starts automatically
- C. compilation and installation of the Cisco DevNet application for an autonomous deployment model
- D. installation and configuration of the Cisco DevNet application so that it starts manually

Show Suggested Answer



Actual exam question from Cisco's 200-901

Question #: 150

Topic #: 1

[\[All 200-901 Questions\]](#)

A company wants to accelerate the adoption of technologies that will simplify its operations. Staff have different skill levels and are looking for a single site to find easy-to-consume beginner, intermediate, and advanced multidomain use cases. Which site should be used?

- A. DevNet Ecosystem Exchange
- B. DevNet Automation Exchange
- C. DevNet Creations
- D. DevNet Support Forum

[Show Suggested Answer](#)





Actual exam question from Cisco's 200-901

Question #: 151

Topic #: 1

[\[All 200-901 Questions\]](#)

Which Cisco product provides malware and content filtering through DNS?

- A. Cisco ASA Firepower module
- B. Cisco AMP
- C. Cisco ISE
- D. Cisco Umbrella

Show Suggested Answer





Actual exam question from Cisco's 200-901

Question #: 152

Topic #: 1

[\[All 200-901 Questions\]](#)

Which Cisco platform provides organization-wide automation, security, policy enforcement, and agility across wired and wireless networks?

- A. Cisco SD-WAN
- B. Cisco DNA Center
- C. Cisco ACI
- D. Cisco Umbrella

Show Suggested Answer





Actual exam question from Cisco's 200-901

Question #: 153

Topic #: 1

[\[All 200-901 Questions\]](#)

What is a characteristic of the Cisco Finesse platform?

- A. Applications allow services to be invoked on a network triggered event.
- B. The platform provides a ready-to-go platform for HD video and audio conferencing.
- C. Applications are added to the platform from the desktop remotely.
- D. The platform includes an enterprise-class IM engine.

Show Suggested Answer





Actual exam question from Cisco's 200-901

Question #: 154

Topic #: 1

[\[All 200-901 Questions\]](#)

An engineer needs to retrieve a list of locally available Firepower Threat Defense upgrade packages by using the Firepower Management Center REST API. The engineer uses a GET request with the URL:

```
/api/fmc_platform/v1/updates/upgradepackages/f413afeb-e6f6-75f4-9169-6d9bd49s625e
```

What does `f413afeb-e6f6-75f4-9169-6d9bd49s625e` represent?

- A. container UUID
- B. package UUID
- C. domain UUID
- D. object UUID

Show Suggested Answer



Actual exam question from Cisco's 200-901

Question #: 155

Topic #: 1

[\[All 200-901 Questions\]](#)

Refer to the exhibit.

```
docker run -p 3000:5000 f877cbf2ff33
```

A process running on the host wants to access the service running inside this Docker container. Which port or ports are used to make a connection?

- A. only outbound connections between 3000 and 5000 are possible
- B. port 3000
- C. any port between 3000 and 5000
- D. port 5000

Show Suggested Answer



Actual exam question from Cisco's 200-901

Question #: 156

Topic #: 1

[\[All 200-901 Questions\]](#)

DRAG DROP -

Drag and drop the Dockerfile instructions from the left onto the descriptions on the right. Not all options are used.

Select and Place:

FROM ubuntu:12.04

informs Docker that the container listens on the specified network port(s) at runtime

VOLUME[`"/var/www", "/var/log/apache2", "/etc/apache2"`]

creates a mount point with the specified name

RUN apt-get update && apt-get install -y -force-yes apache2

configures a container that runs as an executable

ENTRYPOINT[`"/usr/sbin/apache2ctl", "-D", "FOREGROUND"`]

must be the first instruction in the Docker file

EXPOSE 1521

Show Suggested Answer





Actual exam question from Cisco's 200-901

Question #: 157

Topic #: 1

[\[All 200-901 Questions\]](#)

What are two security benefits of a Docker-based application? (Choose two.)

- A. natively secures access to secrets that are used by the running application
- B. guarantees container images are secured and free of vulnerabilities
- C. easier to patch because Docker containers include only dependencies that the application requires
- D. prevents information leakage occurring when unhandled exceptions are returned in HTTP responses
- E. allows for separation of applications that traditionally run on the same host

Show Suggested Answer



Actual exam question from Cisco's 200-901

Question #: 158

Topic #: 1

[\[All 200-901 Questions\]](#)

A local Docker alpine image has been created with an image ID of a391665405fe and tagged as `latest`. Which command creates a running container based on the tagged image, with the container port 8080 bound to port 80 on the host?

- A. `docker build -p 8080:80 alpine:latest`
- B. `docker exec -p 8080:80 alpine:latest`
- C. `docker start -p 8080:80 alpine:latest`
- D. `docker run -p 8080:80 alpine:latest`

Show Suggested Answer



Actual exam question from Cisco's 200-901

Question #: 159

Topic #: 1

[\[All 200-901 Questions\]](#)

Refer to the exhibit.

```
# base image
FROM alpine

# Install python and pip
RUN apk add --update py2-pip

# Install python modules needed by the python app
COPY requirements.txt /usr/src/app/
RUN pip install --no-cache-dir -r /usr/src/app/requirements.txt

#copy local files for the app to run
COPY app.py /usr/src/app/
COPY templates/index.html /usr/src/app/templates/

EXPOSE 8080

#run the application
CMD ["python", "/usr/src/app/app.py"]
```

Which function does the EXPOSE line perform when building an image from this Dockerfile?

- A. Local port 8080 of the container that launched with this docker image is accessible from co-hosted containers and external clients.
- B. Local port 8080 is not reachable at all because no IP address is specified along with the EXPOSE command of the Dockerfile.
- C. Local port 8080 is accessible from other containers running on the same docker host as the container that launched with this docker image.
- D. Local port 8080 of the container that launched with this docker image is accessible to external clients.

Show Suggested Answer



Actual exam question from Cisco's 200-901

Question #: 160

Topic #: 1

[\[All 200-901 Questions\]](#)

Which two elements are foundational principles of DevOps? (Choose two.)

- A. organizing cross-functional teams over organizational silos
- B. designing applications as microservices
- C. encouraging containers for the deployment of applications
- D. automating over documenting
- E. optimizing the cost of infrastructures

Show Suggested Answer





Actual exam question from Cisco's 200-901

Question #: 161

Topic #: 1

[\[All 200-901 Questions\]](#)

Which platform is run directly on top of a hypervisor?

- A. bare metal systems
- B. virtual machines
- C. containers
- D. applications

Show Suggested Answer





Actual exam question from Cisco's 200-901

Question #: 162

Topic #: 1

[\[All 200-901 Questions\]](#)

What are two characteristics of Bare Metal environments that are related to application deployment? (Choose two.)

- A. specifically designed for container-based workloads
- B. suitable for legacy applications that do not support virtualization
- C. provides workloads with access to hardware features
- D. not compatible with other cloud services such as PaaS or SaaS offerings
- E. provides the hypervisor to host virtual servers

Show Suggested Answer





Actual exam question from Cisco's 200-901

Question #: 163

Topic #: 1

[\[All 200-901 Questions\]](#)

A new application is being developed that must be hardware independent. The application includes an administrative component which is accessed using a Windows desktop GUI. Installation and management of the environment must be fully automated. Which application deployment type meets the requirements?

- A. virtual machine
- B. virtual Python environment
- C. container
- D. bare metal

Show Suggested Answer



Actual exam question from Cisco's 200-901

Question #: 164

Topic #: 1

[\[All 200-901 Questions\]](#)

DRAG DROP -

Drag and drop the code from the bottom onto the box where the code is missing in the Bash script to complete the missing assignments.

Select and Place:

```
#!/bin/bash
```

```
= `date +%b-%d-%y`
```

```
=/home/usr/path/backup-$BACKUPTIME.tar.gz
```

```
=/home/usr/path/data_folder
```

```
tar -cpzf $DESTINATION $SOURCEFOLDER
```

BACKUPTIME

SOURCEFOLDER

DESTINATION

Show Suggested Answer



Actual exam question from Cisco's 200-901

Question #: 165

Topic #: 1

[\[All 200-901 Questions\]](#)

Refer to the exhibit.

```
#!/bin/bash
read ndir
while [ -d "$ndir" ]
do
cd $ndir
done
mkdir $ndir
```

What is the action of the Bash script that is shown?

- A. For all directories in the current folder, the script goes into the directory and makes a new directory.
- B. The script waits until input is entered. If the directory exists, the script goes into it until there is no directory with the same name, then it creates a new directory.
- C. The script waits until input is entered, then it goes into the directory entered and creates a new directory with the same name.
- D. The script goes into the directory called $\backslash\$ndir\backslash$ and makes a new directory called $\backslash\$ndir\backslash$.

Show Suggested Answer



Actual exam question from Cisco's 200-901

Question #: 166

Topic #: 1

[\[All 200-901 Questions\]](#)

When using the Bash shell, how is the output of the devnet command saved to a file named `output.txt`?

- A. `devnet > output.txt`
- B. `devnet | output.txt`
- C. `devnet < output.txt`
- D. `devnet & output.txt`

Show Suggested Answer



Actual exam question from Cisco's 200-901

Question #: 167

Topic #: 1

[\[All 200-901 Questions\]](#)

DRAG DROP -

Drag and drop the Bash commands from the left onto the related actions on the right.

Select and Place:

cd~	list files in directory sorted by edited date descending
cd/	create directory
ls -l	copy file
ls -t	change directory to user \$HOME
cp	create environment variable
cp -r	change directory to file system root
mv	move file
touch	create file
mkdir	copy directory
export	list files in directory with details

Show Suggested Answer



Actual exam question from Cisco's 200-901

Question #: 168

Topic #: 1

[\[All 200-901 Questions\]](#)

FILL BLANK -

Fill in the blanks to complete the Bash script in which each file in a directory is renamed to its SHA256 hash?

TARGET_DIR=/usr/local/certs -

for f in '_____'; do

_____ \$f openssl sha -sha256 -r < \$f | cut -f1 -cl' "

Show Suggested Answer





Actual exam question from Cisco's 200-901

Question #: 169

Topic #: 1

[\[All 200-901 Questions\]](#)

After a project is migrated to a new codebase, the `old_project` directory must be deleted. This directory has multiple read-only files, and it must be deleted recursively without prompting for confirmation. Which Bash command must be used?

- A. `rmdir -p old_project`
- B. `rm -rf old_project`
- C. `rm -r old_project`
- D. `rmdir old_project`

Show Suggested Answer





Actual exam question from Cisco's 200-901

Question #: 170

Topic #: 1

[\[All 200-901 Questions\]](#)

What is a benefit of using edge computing in an IoT implementation?

- A. high speed in data processing
- B. low network design complexity
- C. low cost in network design
- D. high availability for network components

Show Suggested Answer





Actual exam question from Cisco's 200-901

Question #: 171

Topic #: 1

[\[All 200-901 Questions\]](#)

What is the benefit of edge computing?

- A. It reduces network latency by moving processing closer to the data source.
- B. It reduces data velocity from devices or other data sources.
- C. It simplifies security as devices and processing are brought closer together.
- D. It removes the need for centralized data processing.

Show Suggested Answer



Actual exam question from Cisco's 200-901

Question #: 172

Topic #: 1

[\[All 200-901 Questions\]](#)

DRAG DROP -

Refer to the exhibit.

```
#!/bin/bash
<item 1>='date +%b-%d-%y'

<item 2>=/home/usr/path/backup- $\$$ BACKUPTIME.tar.gz

<item 3>=/home/usr/path/data_folder

tar -cpzf  $\$$ DESTINATION  $\$$ SOURCEFOLDER
```

Drag and drop the variables from the left onto the item numbers on the right that match the missing assignments in the exhibit.

Select and Place:

BACKUPTIME

<item 1>

SOURCEFOLDER

<item 2>

DESTINATION

<item 3>

Show Suggested Answer

Actual exam question from Cisco's 200-901

Question #: 173

Topic #: 1

[\[All 200-901 Questions\]](#)

DRAG DROP -

Drag and drop the descriptions from the left onto the correct application deployment models on the right.

Select and Place:

provides a low-latency compute capability close to the data source

environment where you pay only for the resources that you consume

offers a self-service, elastic compute environment from a dedicated set of physical resources

provides an approach for overflow traffic to burst out to meet peak demands

shared compute platform that is offered over the Internet

Public Cloud

Private Cloud

Hybrid Cloud

Edge Computing

Show Suggested Answer



Actual exam question from Cisco's 200-901

Question #: 174

Topic #: 1

[\[All 200-901 Questions\]](#)

Which type of threat occurs when an attacker can send hostile data to an interpreter within an application?

- A. sensitive data exposure
- B. broken authentication
- C. cross-site scripting
- D. injection

Show Suggested Answer





Actual exam question from Cisco's 200-901

Question #: 175

Topic #: 1

[\[All 200-901 Questions\]](#)

A company is looking for a cloud deployment which will only use the on-premise infrastructure, is user self-service, and is easy to scale. Which cloud solution should be selected for these requirements?

- A. multi
- B. private
- C. hybrid
- D. public

[Show Suggested Answer](#)



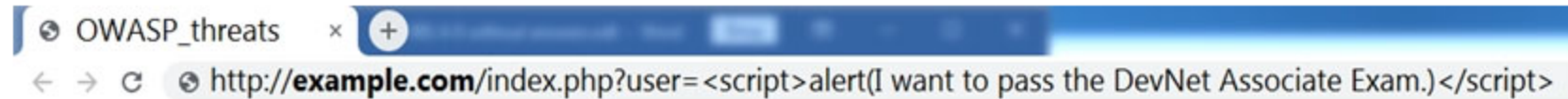
Actual exam question from Cisco's 200-901

Question #: 176

Topic #: 1

[\[All 200-901 Questions\]](#)

Refer to the exhibit.



Which OWASP threat does this example demonstrate?

- A. broken access control
- B. cross-site scripting
- C. SQL injection
- D. man-in-the-middle

Show Suggested Answer



Actual exam question from Cisco's 200-901

Question #: 177

Topic #: 1

[\[All 200-901 Questions\]](#)

What should a CI/CD pipeline aim to achieve?

- A. to require minimal manual interaction
- B. to allow manual testing before deployment
- C. to support new deployments on a fixed monthly schedule
- D. to provide a documented process for feedback

Show Suggested Answer



Actual exam question from Cisco's 200-901

Question #: 178

Topic #: 1

[\[All 200-901 Questions\]](#)

A function `my_func()` returns `True` when it executes normally. Which Python snippet tests `my_func()`?

A.

```
def test_func(self):  
    self.assertTrue(my_func())
```

B.

```
def test_func(self):  
    self.assertFalse(my_func())
```

C.

```
def test_func(self):  
    self.assertEqual(my_func(), '{true}')
```

D.

```
def test_func(self):  
    self.assertRaises(my_func())
```

Show Suggested Answer



Actual exam question from Cisco's 200-901

Question #: 179

Topic #: 1

[\[All 200-901 Questions\]](#)

What are two roles of an artifact repository in a CI/CD pipeline? (Choose two.)

- A. stores files needed and generated during the build process
- B. provides traceable, searchable, and manageable binary files
- C. is required for CI/CD pipelines executed on a public cloud infrastructure
- D. allows for comparing and merging changes in the source code
- E. is required for managing open source software

Show Suggested Answer





Actual exam question from Cisco's 200-901

Question #: 180

Topic #: 1

[\[All 200-901 Questions\]](#)

A company is adopting DevOps as part of an internal transformation, and is reviewing the success of the first deployments. Developers and engineers are working together to resolve any resulting issues. However, this new way of working has increased overhead, and the team is finding it difficult to complete releases in time. Which area of the CALMS framework must the company target for improvement?

- A. Collaboration
- B. Lean
- C. Sharing
- D. Measurement

Show Suggested Answer



Actual exam question from Cisco's 200-901

Question #: 181

Topic #: 1

[\[All 200-901 Questions\]](#)

```
FROM nginx

ARG DELAY="30"
ENV INITIAL_DELAY=${DELAY}

ENTRYPOINT ["/bin/sh"]

CMD ["-c", "/bin/sleep ${INITIAL_DELAY} && nginx -g
'daemon off;']
```

Refer to the exhibit. Which command, including arguments, is executed when the container starts?

- A. /bin/sh -c "/bin/sleep 30 && nginx -g 'daemon off;'"
- B. /bin/sh -c "/bin/sleep 10 && nginx -g 'daemon off;'"
- C. /bin/bash -c "/bin/sleep 30 && nginx -g 'daemon off;'"
- D. /bin/sh -c "/bin/sleep 30" && nginx -g 'daemon off;'

Show Suggested Answer



Actual exam question from Cisco's 200-901

Question #: 182

Topic #: 1

[\[All 200-901 Questions\]](#)

A developer created a new secure API and is testing the functionality locally. The API was added to a container for further testing, and other team members and applications need to connect to the API. Which command exposes the API in the container as port 8443 and allows connections external to the host?

- A. `docker run -p 127.0.0.1:80:8443/tcp myapiservice`
- B. `docker run -p 0.0.0.0:443:8443/tcp myapiservice`
- C. `docker run -p 0.0.0.0:8443:443/tcp myapiservice`
- D. `docker run -p 127.0.0.1:443:8443/tcp myapiservice`

Show Suggested Answer





Actual exam question from Cisco's 200-901

Question #: 183

Topic #: 1

[\[All 200-901 Questions\]](#)

A developer has created a new image to use in a Docker build and has added a tag for the image by using the command:

```
$ docker tag 84fe411926287 local/app:0.4
```

Which command must be executed next to build the Docker image using the tag?

- A. `$ docker build -p local/app:0.4`
- B. `$ docker run -t local/app:0.4`
- C. `$ docker run -p local/app:0.4`
- D. `$ docker build -t local/app:0.4`

Show Suggested Answer





Actual exam question from Cisco's 200-901

Question #: 184

Topic #: 1

[\[All 200-901 Questions\]](#)

Access to the management interface of devices must be restricted by using SSH and HTTPS. Which two ports must be included in the ACLs for the protocols to work?
(Choose two.)

- A. 22
- B. 23
- C. 80
- D. 443
- E. 880

Show Suggested Answer





Actual exam question from Cisco's 200-901

Question #: 185

Topic #: 1

[\[All 200-901 Questions\]](#)

What is a benefit of using a code review process in application development?

- A. accelerates the deployment of new features in an existing application
- B. provides version control during code development
- C. enables the quick deployment of new code
- D. eliminates common mistakes during development

Show Suggested Answer





Actual exam question from Cisco's 200-901

Question #: 186

Topic #: 1

[\[All 200-901 Questions\]](#)

Which OWASP threat takes advantage of a web application that the user has already authenticated to execute an attack?

- A. phishing
- B. DoS
- C. brute force attack
- D. CSRF

Show Suggested Answer

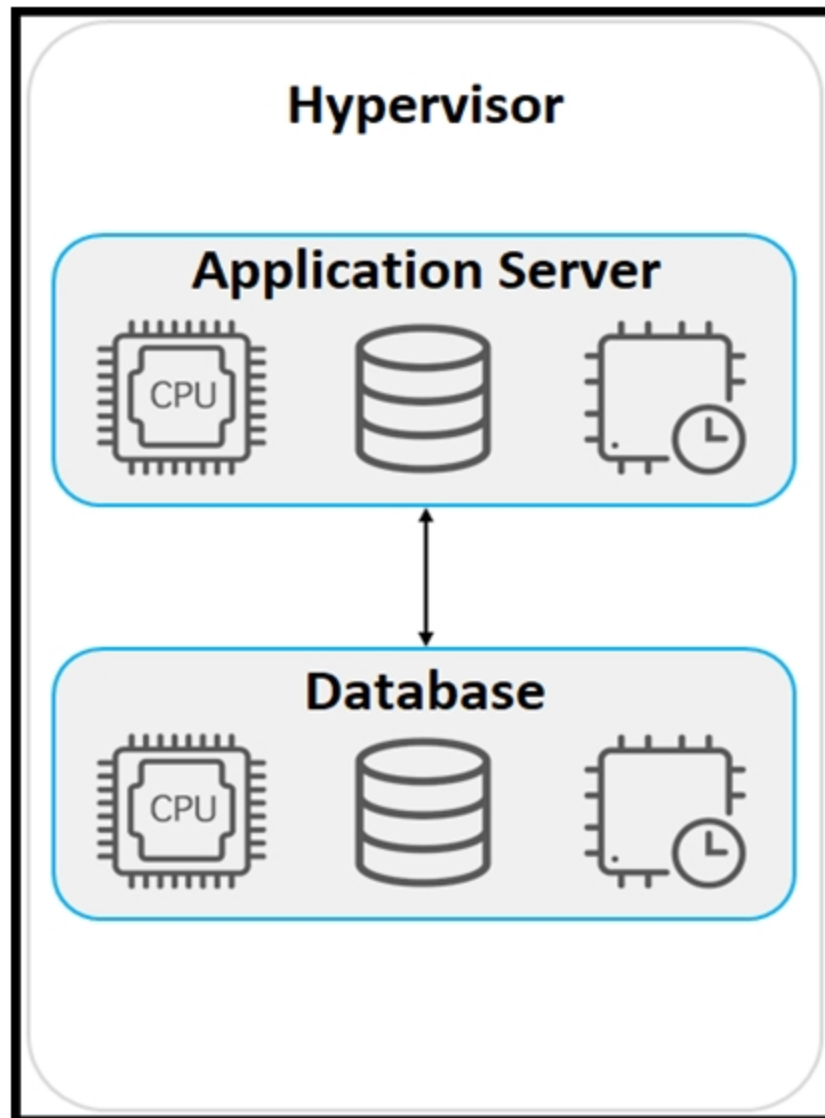


Actual exam question from Cisco's 200-901

Question #: 187

Topic #: 1

[\[All 200-901 Questions\]](#)



Refer to the exhibit. An application must be deployed on a server that has other applications installed. The server resources are to be allocated based on the deployment requirements. The OS for each application must be independent. Which type of deployment is used?

- A. hybrid
- B. virtual machines
- C. containers
- D. bare metal

Show Suggested Answer



Actual exam question from Cisco's 200-901

Question #: 188

Topic #: 1

[\[All 200-901 Questions\]](#)

What is a benefit of a distributed version control system?

- A. encourages users to commit small places of work to the system more frequently
- B. ensures that all code meets minimum standards before being committed to the system
- C. allows users to work on the codebase even when not connected to the Internet
- D. ensures that all code is tested before being committed to the system

Show Suggested Answer





Actual exam question from Cisco's 200-901

Question #: 189

Topic #: 1

[\[All 200-901 Questions\]](#)

A company requires a new platform to store large volumes of log data that is generated in their assembly plant. The platform must be scalable, so the underlying technology must provide a path for fast deployment of new nodes for data and indexing? The data contains sensitive information, so specialist encryption tools must be used to secure the data. Which application deployment model meets the requirements?

- A. edge
- B. private cloud
- C. public cloud
- D. hybrid cloud

Show Suggested Answer





Actual exam question from Cisco's 200-901

Question #: 190

Topic #: 1

[\[All 200-901 Questions\]](#)

What is a procedural component of CI/CD pipelines?

- A. Bundled artifacts must be generated.
- B. Every test must pass for the pipeline to continue its execution.
- C. Some tests fail without stopping the pipeline execution.
- D. The release label that identifies the build is optional.

Show Suggested Answer





Actual exam question from Cisco's 200-901

Question #: 191

Topic #: 1

[\[All 200-901 Questions\]](#)

Which OWASP threat occurs when untrusted data is supplied as input to an interpreter as part of a command or query?

- A. broken authentication
- B. data exposure
- C. injection
- D. cross-site scripting

Show Suggested Answer





Actual exam question from Cisco's 200-901

Question #: 192

Topic #: 1

[\[All 200-901 Questions\]](#)

Which product provides network controller-level management features?

- A. Cisco ISE
- B. Cisco DNA Center
- C. Cisco UCS Manager
- D. Cisco NX-OS

Show Suggested Answer





Actual exam question from Cisco's 200-901

Question #: 193

Topic #: 1

[\[All 200-901 Questions\]](#)

What is the purpose of the Cisco VIRL software tool?

- A. to verify configurations against compliance standards
- B. to automate API workflows
- C. to simulate and model networks
- D. to test performance of an application

Show Suggested Answer





Actual exam question from Cisco's 200-901

Question #: 194

Topic #: 1

[\[All 200-901 Questions\]](#)

What are two advantages of the Model-View-Controller software design pattern? (Choose two.)

- A. allows for multiple views of the same model
- B. separates responsibilities of the code, which makes future modifications easier
- C. simplifies network automation
- D. makes code easier to deploy using CI/CD pipelines
- E. reduces the need for error handling

Show Suggested Answer



Actual exam question from Cisco's 200-901

Question #: 195

Topic #: 1

[\[All 200-901 Questions\]](#)

```

module ietf-ip {
  namespace "urn:ietf:params:xml:ns:yang:ietf-ip";
  prefix ip;
  import ietf-interfaces {
    prefix if;
  }
  augment "/if:interfaces/if:interface" {
    container ipv4 {
      leaf enabled {
        type boolean;
        default true;
      }
      list address {
        key "ip";
        leaf ip {
          type inet:ipv4-address-no-zone;
        }
        choice subnet {
          mandatory true;
          leaf prefix-length {
            type uint8 {
              range "0..32";
            }
          }
          leaf netmask {
            type yang:dotted-quad;
          }
        }
      }
    }
  }
}

module ietf-interfaces {
  namespace "urn:ietf:params:xml:ns:yang:ietf-interfaces";
  prefix if;
  typedef interface-ref {
    type leafref {
      path "/if:interfaces/if:interface/if:name";
    }
  }
  container interfaces {
    list interface {
      key "name";
      leaf name {
        type string;
      }
      leaf description {
        type string;
      }
      leaf type {
        type identityref {
          base interface-type;
        }
        mandatory true;
      }
      leaf enabled {
        type boolean;
        default "true";
      }
    }
  }
}

```

Refer to the exhibit. Which JSON snippet configures a new interface according to YANG model?

A.

```

{"ietf-interfaces": {
  "interface": {
    "name": "Loopback100",
    "enabled": true,
    "ietf-ip": {
      "ipv4": {
        "address": [
          {
            "ip": "10.255.254.1",
            "netmask": "255.255.255.0"
          }
        ]
      }
    }
  }
}

```

B.

```

{ "interface" {
  "name": "Loopback100",
  "enabled": true,
  "ipv4": {
    "address": [
      {
        "ip": "10.255.254.1",
        "netmask": "255.255.255.0"
      }
    ]
  }
}

```

C.

```

{"ietf-interfaces:interface": {
  "name": "Loopback100",
  "enabled": true,
  "ietf-ip:ipv4:address": [
    {
      "ip": "10.255.254.1",
      "netmask": "255.255.255.0"
    }
  ]
}

```

D.

```

{"ietf-interfaces:interface": {
  "name": "Loopback100",
  "enabled": true,
  "ietf-ip:ipv4": {
    "address": [
      {
        "ip": "10.255.254.1",
        "netmask": "255.255.255.0"
      }
    ]
  }
}

```

Actual exam question from Cisco's 200-901

Question #: 196

Topic #: 1

[\[All 200-901 Questions\]](#)

Refer to the exhibit.

```
module ex-ethernet {
  namespace "http://example.com/ethernet";
  prefix "eth";
  import ietf-interfaces {
    prefix if;
  }
  augment "/if:interfaces/if:interface" {
    when "if:type = 'ethernetCsmacd'";
    container ethernet {
      must "../if:location" {
        description
          "An ethernet interface must specify the physical location of the ethernet hardware.";
      }
      choice transmission-params {
        case auto {
          leaf auto-negotiate {
            type empty;
          }
        }
        case manual {
          leaf duplex {
            type enumeration {
              enum "half";
              enum "full";
            }
          }
          leaf speed {
            type enumeration {
              enum "10Mb";
              enum "100Mb";
              enum "1Gb";
              enum "10Gb";
            }
          }
        }
      }
    } // other ethernet specific params...
  }
}
```

What is represented in this YANG module?

- A. interface management
- B. BGP
- C. OpenFlow
- D. topology

Show Suggested Answer





Actual exam question from Cisco's 200-901

Question #: 197

Topic #: 1

[\[All 200-901 Questions\]](#)

Which CI/CD tool is an automation tool used to build, test, and deploy software?

- A. Git
- B. Gradle
- C. Nagios
- D. Jenkins

Show Suggested Answer





Actual exam question from Cisco's 200-901

Question #: 198

Topic #: 1

[\[All 200-901 Questions\]](#)

An automation script fails to connect to an internal server exactly 1 out of 2 times it is executed. This behavior is seen from different clients. Which networking device must be at fault?

- A. load balancer
- B. laptop on which the script is running
- C. switch
- D. router

[Show Suggested Answer](#)





Actual exam question from Cisco's 200-901

Question #: 199

Topic #: 1

[\[All 200-901 Questions\]](#)

What are two advantages of YANG-based approaches for infrastructure automation? (Choose two.)

- A. multi-platform vendor abstraction
- B. compiles to executables that run on network devices
- C. designed to reflect networking concepts
- D. directly maps to JavaScript
- E. command line driven interface

Show Suggested Answer



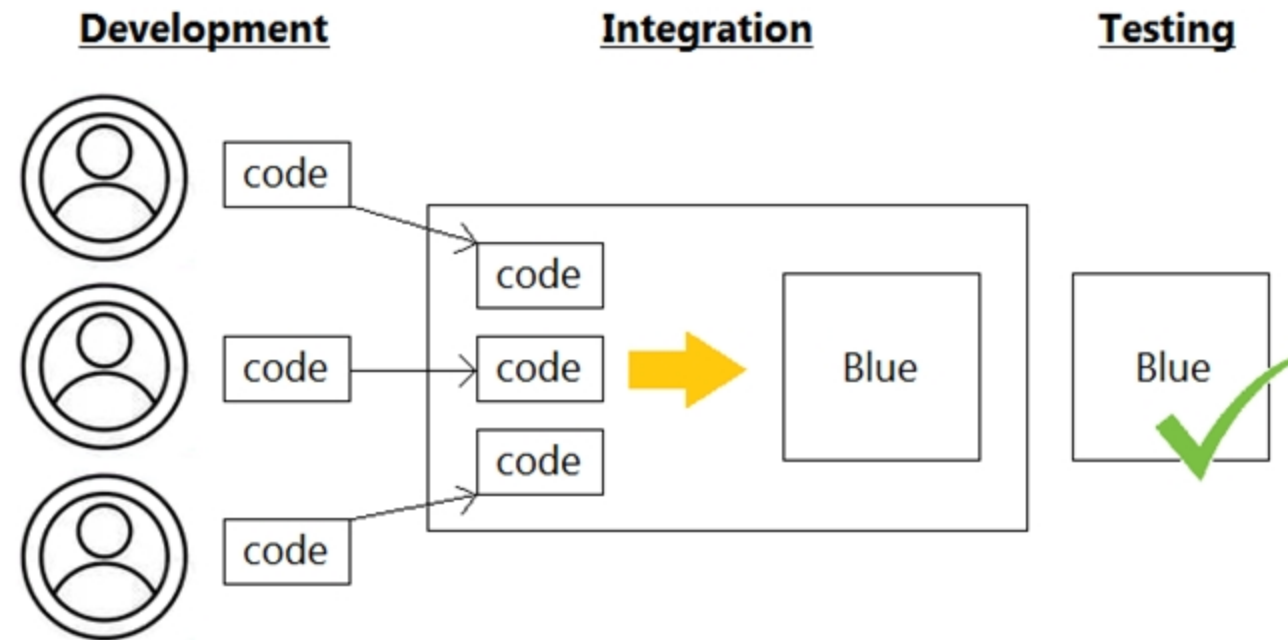
Actual exam question from Cisco's 200-901

Question #: 200

Topic #: 1

[\[All 200-901 Questions\]](#)

Refer to the exhibit.



Which infrastructure automation method is shown?

- A. CI/CD pipeline
- B. Lean
- C. Agile
- D. Waterfall

Show Suggested Answer

Actual exam question from Cisco's 200-901

Question #: 201

Topic #: 1

[\[All 200-901 Questions\]](#)

```
1  #!/bin/bash
2  apt install nginx
3  export AVAILABLE_SITES_DIR = '/etc/nginx/sites-available'
4  export ENABLED_SITES_DIR = '/etc/nginx/sites_enabled'
5  cd /opt/nginx
6  cat sites.txt | while read site;
7      do
8      cp template.conf "$AVAILABLE_SITES_DIR/$site";
9      ln -s "$AVAILABLE_SITES_DIR/$site" "$ENABLED_SITES_DIR";
10     chown www-data:www-data "$AVAILABLE_SITES_DIR/$site";
11     done
```

Refer to the exhibit. An engineer must configure a load balancer server. The engineer prepares a script to automate workflow by using Bash. The script installs the nginx package, moves to the /opt/nginx directory, and reads the sites.txt file for further processing. Based on the script workflow, which process is being automated within the loop by using the information in sites.txt?

- A. creating a file per each line in sites.txt with the information in template.conf, creating a link for the previously created file, and then changing the ownership of the created files
- B. using the content of the file to create the template.conf file, creating a link from the created file to the /etc/nginx/sites_enabled, and then changing the file execution permissions
- C. creating a new file based on template.conf in the /etc/nginx/sites_enabled directory for each line in the sites.txt file, and then changing the file execution permissions
- D. using the information in the file to create a set of empty files in the /etc/nginx/sites_enabled directory, and then assigning the owner of the file

Show Suggested Answer

Actual exam question from Cisco's 200-901

Question #: 202

Topic #: 1

[\[All 200-901 Questions\]](#)

```
1 import requests
2
3 headers = {"X-Cisco-Meraki-API-Key": "KEY1234"}
4 BASE_URL = "https://api-mp.meraki.com/api/v1"
5 FIRST_URL = "/organizations"
6 SECOND_URL = "/networks"
7 THIRD_URL = "clients"
8
9 def first_loop(info):
10     for item in info:
11         if item["name"] == "ACME":
12             URL = BASE_URL + FIRST_URL + "/" + item["id"] + "/" + SECOND_URL
13             response = requests.request("GET", URL, headers=headers)
14             return second_loop(response.json())
15
16 def second_loop(info):
17     for item in info:
18         if item["name"] == "BLDG21":
19             URL = BASE_URL + SECOND_URL + "/" + item["id"] + "/" + THIRD_URL
20             response = requests.request("GET", URL, headers=headers)
21             return third_loop(response.json())
22
23 def third_loop(info):
24     for item in info:
25         return item
26
27 response = requests.request("GET", BASE_URL + FIRST_URL, headers=headers)
28 info = first_loop(response.json())
29 for item in info:
30     print (item["id"])
```

Refer to the exhibit. A network engineer must collect information from the network. The engineer prepares a script to automate workflow by using Cisco Meraki API. The script must run over nested loops to collect organization and network information and uses the collected data for final collection. Which process is being automated by using the Python script?

- A. Collect the IDs of the clients on the BLDG21 network.
- B. List the IDs from the ACME organization.
- C. Provide the BLDG21 network information if it is part of the ACME organization.
- D. Gather the IDs of the ACME organization, the BLDG21 network, and the clients on the network.

Show Suggested Answer

Actual exam question from Cisco's 200-901

Question #: 203

Topic #: 1

[\[All 200-901 Questions\]](#)

Refer to the exhibit.

```
def process_devices(dnac, token):  
    url = "https://{}/api/v1/network-device".format(dnac['host'])  
    headers["x-auth-token"] = token  
    response = requests.get(url, headers=headers, verify=False)  
    data = response.json()  
    for item in data['response']:  
        print(item["hostname"], " ", item["managementIpAddress"])
```

What is the function of the Python script?

- A. Loop through the returned list of network devices and, for each device, print the device name and management IP address.
- B. Count and print the total number of available devices.
- C. For each device that is returned, display the device type and associated management IP address.
- D. Iterate over a list of network devices and write all device names and management IP addresses to an output file.

Show Suggested Answer

Actual exam question from Cisco's 200-901

Question #: 204

Topic #: 1

[\[All 200-901 Questions\]](#)

```
--- README.md-repo 2019-10-06 21:15:59.000000000 +0100
+++ README.md      2019-10-06 21:07:35.000000000 +0100
@@ -88,8 +88,6 @@
    \ \ \

-
-
  ## Troubleshooting

  ### CMake
@@ -162,4 +160,13 @@

  ## References

+### Mosquitto
+
+* [github] (https://github.com/eclipse/mosquitto)
+* [homepage] (https://mosquitto.org)
+
+### MQTT
+
+* [organisation] (http://mgtt.org)
+
```

Refer to the exhibit. The output of the `diff -u README.md-repo README.md` command is shown. The original file was 165 lines long. How many lines are in the edited copy of the file?

- A. 162
- B. 165
- C. 172
- D. 173

Show Suggested Answer



Actual exam question from Cisco's 200-901

Question #: 205

Topic #: 1

[\[All 200-901 Questions\]](#)

Which line is an example of the start of a chunk from a unified diff?

- A. @@ -20191007T1200 +88,90 @@
- B. @@ -88,10 +88,6 @@
- C. @@ -90,88 +20191008T1349 @@
- D. @@ -20191007T1200 +20191008T1349 @@

Show Suggested Answer



Actual exam question from Cisco's 200-901

Question #: 206

Topic #: 1

[\[All 200-901 Questions\]](#)

DRAG DROP -

Drag and drop elements of the RESTCONF Protocol stack from the left onto the correct descriptors on the right. Not all elements on the left are used.

Select and Place:

<data>

content

XML or JSON

operations

SSH

transport

<rpc>, <rpc-reply>

GET, POST, PUT, PATCH, DELETE

HTTPS

Show Suggested Answer



Actual exam question from Cisco's 200-901

Question #: 207

Topic #: 1

[\[All 200-901 Questions\]](#)

Which two NETCONF operations cover the RESTCONF GET operation? (Choose two.)

- A. <get>
- B. <get-config>
- C. <get-update>
- D. <modify-config>
- E. <edit>

Show Suggested Answer



Actual exam question from Cisco's 200-901

Question #: 208

Topic #: 1

[\[All 200-901 Questions\]](#)

Refer to the exhibit.

```
---
- hosts: CISCO_ROUTER_01
  gather_facts: true
  connection: network_cli

  tasks:
    - name: show conf
      ios_command:
        commands:
          - show running-config
      register: config

- name: save output to /etc/ansible/configs
  copy:
    content: "{{ config.stdout[0] }}"
    dest: "/etc/ansible/configs/show_conf_{{ inventory_hostname }}.txt"
```

What is the result of executing this Ansible playbook?

- A. The playbook copies a new start-up configuration to CISCO_ROUTER_01
- B. The playbook copies a new running configuration to CISCO_ROUTER_01
- C. The playbook backs up the running configuration of CISCO_ROUTER_01
- D. The playbook backs up the start-up configuration of CISCO_ROUTER_01

Show Suggested Answer

Actual exam question from Cisco's 200-901

Question #: 209

Topic #: 1

[\[All 200-901 Questions\]](#)

Refer to the exhibit.

```
---
- hosts: switch2960cx
  gather_facts: no

  tasks:
    - ios_l2_interface:
      name: GigabitEthernet0/1
      state: unconfigured

    - ios_l2_interface:
      name: GigabitEthernet0/1
      mode: trunk
      native_vlan: 1
      trunk_allowed_vlans: 6-8
      state: present

    - ios_vlan:
      vlan_id: 6
      name: guest-vlan
      interfaces:
        - GigabitEthernet0/2
        - GigabitEthernet0/3

    - ios_vlan:
      vlan_id: 7
      name: corporate-vlan
      interfaces:
        - GigabitEthernet0/4
```

Which two statements describe the configuration of the switch after the Ansible script is run? (Choose two.)

- A. Traffic from ports 0/2 to 0/5 is able to flow on port 0/1 due to the trunk.
- B. GigabitEthernet0/1 is left unconfigured.
- C. GigabitEthernet0/2 and GigabitEthernet0/3 are access ports for VLAN 6.
- D. Traffic is able to flow between ports 0/2 to 0/5 due to the trunk on port 0/1.
- E. Traffic on ports 0/2 and 0/3 is connected to port 0/6.

Show Suggested Answer

Actual exam question from Cisco's 200-901

Question #: 210

Topic #: 1

[\[All 200-901 Questions\]](#)

Refer to the exhibit.

```
1      ---
2  - hosts: {{ router }}
3    gather_facts: true
4    connection: local
5
6    tasks:
7      - ios_command
8        commands:
9          - show run
10         provider: "{{ router_credentials }}"
11         register: config
12
13     - copy:
14         content: "{{ config.stdout[0] }}"
15         dest: "etc/ansible/configs/command_{{ router_hostname }}.txt
16     ...
```

What is the effect of this Ansible playbook on an IOS router?

- A. A new running configuration is pushed to the IOS router.
- B. The start-up configuration of the IOS router is copied to a local folder.
- C. The current running configuration of the IOS router is backed up.
- D. A new start-up configuration is copied to the IOS router.

Show Suggested Answer



Actual exam question from Cisco's 200-901

Question #: 211

Topic #: 1

[\[All 200-901 Questions\]](#)

Which configuration management tool has an agentless capability?

- A. Puppet
- B. CFEngine
- C. Ansible
- D. Chef

Show Suggested Answer





Actual exam question from Cisco's 200-901

Question #: 212

Topic #: 1

[\[All 200-901 Questions\]](#)

Which tool allows changes to the configuration management toolset to be tested?

- A. pyATS
- B. NAPALM
- C. Cisco VIRL
- D. Ansible

Show Suggested Answer



Actual exam question from Cisco's 200-901

Question #: 213

Topic #: 1

[\[All 200-901 Questions\]](#)

```
1  - hosts: servers
2    tasks:
3
4      - name: task1
5        systemd:
6          name: webexbot
7          state: stopped
8
9      - name: task2
10     apt:
11       name: teamsbot
12
13     - name: task3
14     apt:
15       name: webexbot
16       state: absent
17       purge: yes
```

Refer to the exhibit. A developer must integrate a bot with an internal communication app. The developer wants to replace the webexbot package with the teamsbot package by using Ansible and prepares a playbook. In the first two tasks, the playbook stops the webexbot and verifies that the teamsbot is installed.

What is accomplished in the last task of the workflow when the developer runs the Ansible playbook?

- A. uninstalls the webexbot package and removes its configuration files
- B. installs the webexbot and retains the configuration files
- C. stops the webexbot service and uninstalls it and retains its configuration files
- D. searches whether the purge package is available in the repository and uninstalls the webexbot package

Show Suggested Answer

Actual exam question from Cisco's 200-901

Question #: 214

Topic #: 1

[\[All 200-901 Questions\]](#)

DRAG DROP -

Drag and drop the types of management from the left onto the levels at which they are performed on the right.

Select and Place:

user and programmability interaction
through the use of lower level APIs

user and programmability interaction
through the use of Northbound APIs

iterate over a list of devices

configure features with YANG models

Controller level

Device level

Show Suggested Answer

Actual exam question from Cisco's 200-901

Question #: 215

Topic #: 1

[\[All 200-901 Questions\]](#)

Refer to the exhibit.

```
leaf IPPeer {  
  type union {  
    type inet:ipv4-address;  
    type inet:ipv6-address;  
  }  
}
```

What is the value of the node defined by this YANG structure?

A.

```
{  
  "IPPeer": [  
    "10.1.1.1"  
  ]  
}
```

B.

```
{  
  "IPPeer": "10.1.1.1 2001:db::1"  
}
```

C.

```
{  
  "IPPeer": "10.1.1.1"  
}
```

D.

```
{  
  "IPPeer": [  
    "10.1.1.1",  
    "2001:db::1"  
  ]  
}
```

Show Suggested Answer



Actual exam question from Cisco's 200-901

Question #: 216

Topic #: 1

[\[All 200-901 Questions\]](#)

What is an advantage of using network programmability?

- A. Manual configuration is faster.
- B. No cloud abstraction occurs.
- C. It removes CLI access for devices.
- D. It provides for more scalable and replicable network provisioning.

Show Suggested Answer





Actual exam question from Cisco's 200-901

Question #: 217

Topic #: 1

[\[All 200-901 Questions\]](#)

What is a capability of an agentless configuration management system?

- A. It requires managed hosts to have an interpreter for a high-level language such as Python or Ruby.
- B. It requires managed hosts to connect to a centralized host to receive updated configurations.
- C. It uses compiled languages as the basis of the domain-specific language to interface with managed hosts.
- D. It uses existing protocols to interface with the managed host.

Show Suggested Answer



Actual exam question from Cisco's 200-901

Question #: 218

Topic #: 1

[\[All 200-901 Questions\]](#)

```
1 def enable_function(if_name, if_status, if_type):
2     headers = {'Accept': 'application/yang-data+json',
3               'Content-Type': 'application/yang-data+json'}
4     payload = {
5         "ietf-interfaces:interface": {
6             "name": if_name,
7             "enabled": if_status,
8             "type": if_type,
9         }
10    }
11    base_url = 'https://192.168.1.1:8443'
12    restconf_url = '/restconf/data/ietf-interfaces:interfaces/interface'
13
14    res = requests.put(f'{base_url}{restconf_url}={if_name}',
15                      headers=headers, json=payload,
16                      auth=('cisco', 'secret'), verify=False)
```

Refer to the exhibit. A network engineer wants to automate the port enable/disable process on specific Cisco switches. The engineer creates a script to send a request through RESTCONF and uses ietf as the YANG model and JSON as payload. Which command enables an interface named Loopback1?

- A. enable_function(Loopback1, true, 'iana-if-type:softwareLoopback')
- B. enable_function('iana-if-type:softwareLoopback', Loopback1, true,)
- C. def enable_function('iana-if-type:softwareLoopback', Loopback1, false,)
- D. def enable_function(Loopback1, true, 'iana-if-type:softwareLoopback')

Show Suggested Answer



Actual exam question from Cisco's 200-901

Question #: 219

Topic #: 1

[\[All 200-901 Questions\]](#)

An engineer must configure Cisco Nexus devices and wants to automate this workflow. The engineer enables the Cisco NX-OS REST API to configure the devices by using an Ansible playbook. Before running the code, which resource must be used to verify that the code works correctly?

- A. Cisco NX-OS SDK
- B. Cisco Learning Labs
- C. Cisco Code Exchange
- D. Cisco Modeling Labs

Show Suggested Answer





Actual exam question from Cisco's 200-901

Question #: 220

Topic #: 1

[\[All 200-901 Questions\]](#)

A new application is being developed with specific platform requirements. The platform and application deployment and the ongoing platform management must be fully automated. The application includes a large database component that has significant disk I/O requirements. Which application deployment type meets the requirements?

- A. Python virtual environment
- B. virtual machine
- C. bare metal
- D. container

Show Suggested Answer



Actual exam question from Cisco's 200-901

Question #: 221

Topic #: 1

[\[All 200-901 Questions\]](#)

```
1  - hosts: servers
2    tasks:
3
4    - name: task1
5      apt:
6        name: apache2
7        state: absent
8
9    - name: task2
10     apt:
11       name: nginx
12       state: present
13
14    - name: task3
15     apt:
16       name: "*"
17       state: latest
```

Refer to the exhibit. A developer must check packages on web load balancers that use nginx packages. The developer updates the servers as required in Ansible inventory and prepares an Ansible playbook to automate this workflow on related servers. Which process is being automated by the Ansible playbook?

- A. verifying that nginx is installed only if apache2 is unavailable on the system, and then updating all the other packages
- B. verifying, without installing, that apache2 is unavailable and that nginx is installed, and then updating the repository to the latest version
- C. uninstalling the apache2 server, installing the nginx server, and then updating all the packages to the latest version
- D. installing nginx, uninstalling apache2, and then verifying that the package repository is at the latest version

Show Suggested Answer

Actual exam question from Cisco's 200-901

Question #: 222

Topic #: 1

[\[All 200-901 Questions\]](#)

user_manager.py

```
1 import psycopg2
2 import json, sys
3
4 # Load config file
5 config = None
6 with open('config.json') as config_file:
7     config = json.load(config_file)
8 if not config:
9     print("Error loading configuration file.")
10    sys.exit(1)
11
12 connection = psycopg2.connect(
13     database="users",
14     host=config["DB_USER"], user=config["DB_USER"], password=config["DB_PWD"]
15 )
16 connection.set_session()
17
18 def has_admin_role(username):
19     with connection.cursor() as cursor:
20         query = 'SELECT admin_role FROM users WHERE username = {0}'
21         cursor.execute(query.format(username))
22         result = cursor.fetchone()
23     return result
24
25 has_admin_role("ops.shared")
```

config.json

```
1 {
2     "DB_USER": "pguser",
3     "DB_PWD": "@123Qwer%4",
4     "DB_HOST": "devnetdb.example.com"
5 }
```

Refer to the exhibit. An engineer must check the admin rights of users on a database regularly and prepares the Python script to automate the process. The script connects to the database and runs a query. What is a security issue about the secrets in the code that relates to secret protection?

- A. They must be stored in configuration files if there is a possibility of leakage.
- B. They must be Base64-encoded if stored in the user database.
- C. They must be encrypted if stored in the user database.
- D. They must be stored in configuration files if no authentication will be used.

Show Suggested Answer

Actual exam question from Cisco's 200-901

Question #: 223

Topic #: 1

[\[All 200-901 Questions\]](#)

```
1 import requests
2 import json
3
4 BASE_URL = "https://<IP Address>"
5 FIRST_URL = "/dna/intent/api/v1/network-device"
6 SECOND_URL = "/dna/intent/api/v1/network-device-poller/cli/read-request"
7 THIRD_URL = "/dna/intent/api/v1/task/{task_id}"
8 FOURTH_URL = "/dna/intent/api/v1/file/{file_id}"
9
10 headers = {"X-Auth-Token": "TOKEN", "Content-Type": "application/json"}
11
12 params = {"platformId": "C9500-40X"}
13 response = requests.get(BASE_URL + FIRST_URL, headers=headers, params=params)
14 devices = []
15 for device in response.json()["response"]:
16     devices.append(device["id"])
17
18     payload = {
19         "commands": ["show version", "show ip int brief"],
20         "deviceUids": devices,
21         "timeout": 0,
22     }
23 response = requests.post(BASE_URL + SECOND_URL, data=json.dumps(payload),
24     · headers=headers)
25 task_id = response.json()["response"]["taskId"]
26 response = requests.get(BASE_URL + THIRD_URL.format(task_id=task_id),
27     · headers=headers)
28 progress_json = json.loads(response.json()["response"]["progress"])
29 file_id = progress_json("fileId")
30 response = requests.get(BASE_URL + FOURTH_URL.format(file_id=file_id),
31     · headers=headers)
32 file_json = response.json()
33 for cmd in file_json:
34     print(file_json[cmd]["commandResponses"]["SUCCESS"]["show ip int brief"])
```

Refer to the exhibit. A network engineer must collect information from the network using Cisco DNA Center APIs. The script must query for the devices with 'platformId' 'C9540-x' and then send commands to be executed. Which process is automated by the Python script?

- A. results gathering of the show version and show ip int brief commands
- B. output of show ip int brief command on devices of type C9500-40X
- C. execution information of the show version and show ip int brief commands
- D. list of executed commands on C9500-40X and the information of show ip int brief command

Show Suggested Answer

Actual exam question from Cisco's 200-901

Question #: 224

Topic #: 1

[\[All 200-901 Questions\]](#)

```
diff --git a/ciscoaxl/axl.py b/ciscoaxl/axl.py
index bc7727e..d66ef4d 100644
--- a/ciscoaxl/axl.py
+++ b/ciscoaxl/axl.py
@@ -99,7 +99,7 @@ class axl(object):
     :return: result dictionary
     """
     try:
-         return self.client.executeSQLUpdate(query)
+         return self.client.executeSQLUpdate(query) ['return']
     except Fault as e:
         return e

diff --git a/setup.py b/setup.py
index df79ef4..1470b05 100644
--- a/setup.py
+++ b/setup.py
@@ -5,7 +5,7 @@ with open("README.md", "r") as fh:

setup(
    name="ciscoaxl",
-   version="0.14",
+   version="0.141",
    author="User 1",
    author_email="user1@example.com",
    description="Cisco CUCM AXL Library. Simple to use.",
```

Refer to the exhibit. Which two files are being edited in the unified diff? (Choose two.)

- A. README.md
- B. setup.py
- C. axl.py
- D. ciscoaxl.py
- E. index.py

Show Suggested Answer

Actual exam question from Cisco's 200-901

Question #: 225

Topic #: 1

[\[All 200-901 Questions\]](#)

DRAG DROP -

`class Native.Interface.FastEthernet`

Bases: `Entity`

Class Hierarchy: `Native` `Interface` `FastEthernet`

This class represents configuration data.

FastEthernet IEEE 802.3

<p>name(key)</p> <p>type: str</p> <p>pattern: <code>(([0-9])/([0-9])/([1-3][0-9] 4[0-8] ([0-9])\([0-9]+\))?)</code></p>	<p>flowcontrol</p> <p>Configure flow operation</p> <p>type: <code>Flowcontrol</code></p>
<p>description</p> <p>Interface specific description</p> <p>type: str</p> <p>pattern: *</p>	<p>isis</p> <p>IS-IS commands</p> <p>type: <code>Isis</code></p>
	<p>keepalive</p> <p>Enable keepalive</p> <p>type: bool</p>
	<p>keepalive_settings</p> <p>type: <code>KeepaliveSettings</code></p>

Refer to the exhibit. Drag and drop the code snippets from the bottom to the blanks in the code to enable keepalive for the FastEthernet 2/0 interface. Not all options are used.

Select and Place:

```

from ydk.services import CRUDService
from ydk.providers import NetconfServiceProvider as nc
from ydk.models.cisco ios xe import Cisco IOS XE native as model
ip = '10.10.20.48'
prtcl = 'ssh'
user = 'developer'
psw = 'P@s$W0rD'
port = 830
provider = nc(address=ip, port=port, username=user, password=psw, protocol=prtcl)
crud = CRUDService()

```

```

interface.name = '2/0'

```

```

if interface data:
    print('Keepalive is enabled.')
else:
    print('Keepalive is not enabled.')

```

`interface_data = crud.update(provider, interface)`

`interface.keepalive = True`

`interface_data = crud.read(provider, interface)`

`interface = model.Native.Interface.FastEthernet()`

`interface.FastEthernet.keepalive_settings.keepalive = True`

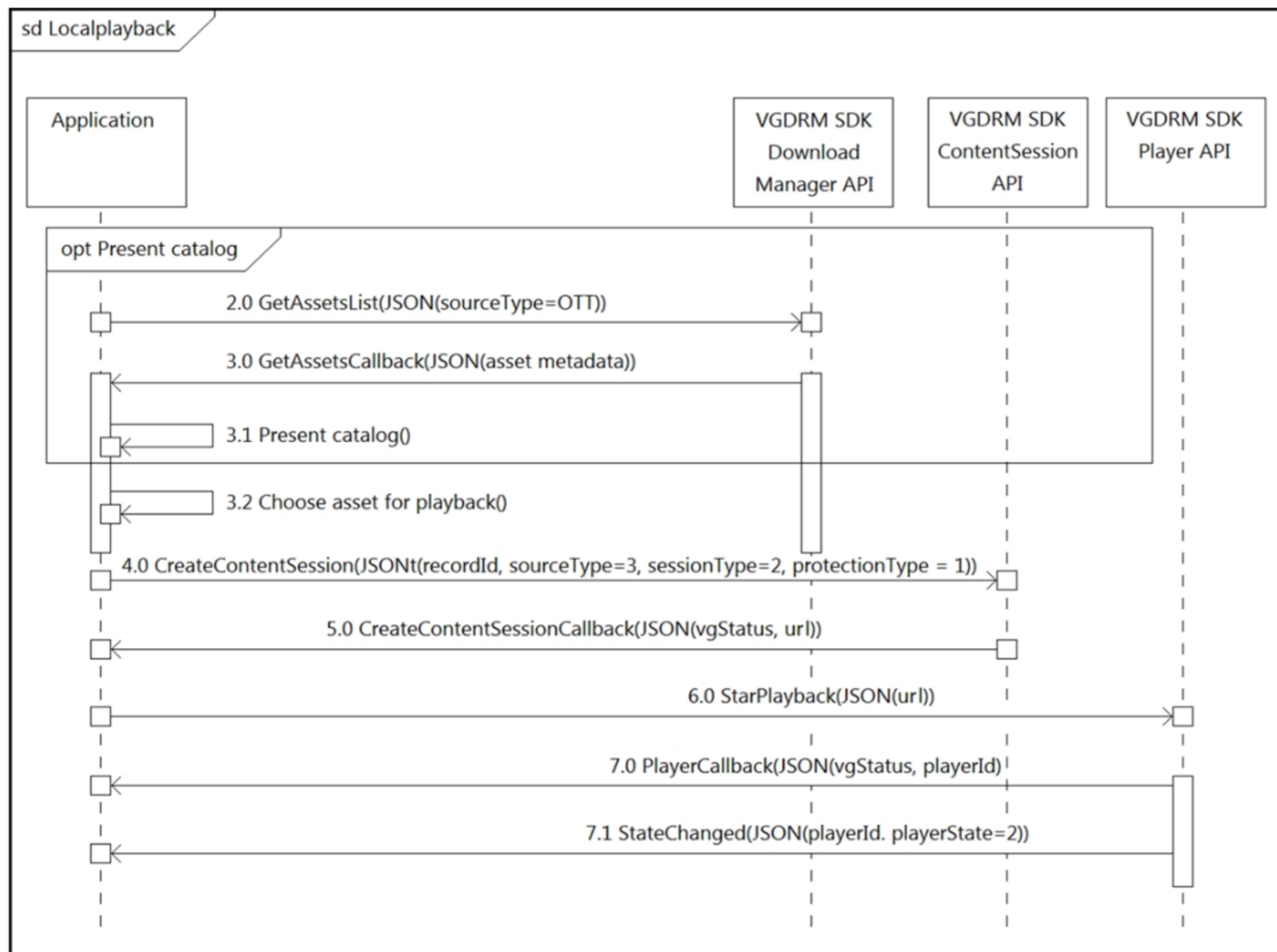
`interface = model.Native.Interface()`

Actual exam question from Cisco's 200-901

Question #: 226

Topic #: 1

[\[All 200-901 Questions\]](#)



Refer to the exhibit. What do all the calls shown in the sequence diagram have in common?

- A. All the calls are optional.
- B. All the calls are asynchronous.
- C. All the calls are synchronous.
- D. All the calls depend on the catalog.

Show Suggested Answer

Actual exam question from Cisco's 200-901

Question #: 227

Topic #: 1

[\[All 200-901 Questions\]](#)

```
1 <routing xmlns="urn:ietf:params:xml:ns:yang:ietf-routing">
2   <routing-instance>
3     <name>default</name>
4     <description>default-vrf [read-only]</description>
5     <routing-protocols>
6       <routing-protocol>
7         <type xmlns:ospf="urn:ietf:params:xml:ns:yang:ietf-
*         ospf">ospf:ospfv2</type>
8         <name>100</name>
9         <ospf xmlns="urn:ietf:params:xml:ns:yang:ietf-ospf">
10          <instance>
11            <af xmlns:rt="urn:ietf:params:xml:ns:yang:ietf-
*            routing">rt:ipv4</af>
12            <router-id>1.1.1.1</router-id>
13            <nsr>
14              <enable>>false</enable>
15            </nsr>
16            <auto-cost>
17              <enable>>false</enable>
18            </auto-cost>
19            <redistribution
*            xmlns="urn:ietf:params:xml:ns:yang:cisco-ospf">
20              <rip/>
21            </redistribution>
22          </instance>
23        </ospf>
24      </routing-protocol>
25    </routing-protocols>
26  </routing-instance>
27 </routing>
```

Refer to the exhibit. What are two characteristics of the NETCONF response? (Choose two.)

- A. ospf is defined by the ietf-ospf module.
- B. ietf-ospf imports ietf-routing.
- C. redistribution is a module of type cisco-ospf.
- D. routing protocols is a list.
- E. The main module is routing.

Show Suggested Answer



Actual exam question from Cisco's 200-901

Question #: 228

Topic #: 1

[\[All 200-901 Questions\]](#)

A business needs to create a simulated environment that mimics a production infrastructure to make changes to the OSPF process and analyze the impact. What should be used?

- A. Cisco VIRL / Cisco CML
- B. Cisco DevNet Sandbox labs
- C. pyATS
- D. Puppet

Show Suggested Answer





Actual exam question from Cisco's 200-901

Question #: 229

Topic #: 1

[\[All 200-901 Questions\]](#)

What is a benefit of a CI/CD pipeline for infrastructure?

- A. removes manual errors
- B. enables manual steps
- C. removes the need for operations
- D. provides variety for deployments

Show Suggested Answer





Actual exam question from Cisco's 200-901

Question #: 230

Topic #: 1

[\[All 200-901 Questions\]](#)

During which step of the CI/CD pipeline for infrastructure automation is code from multiple developers combined to compile and test different components?

- A. integration
- B. deployment
- C. development
- D. testing

Show Suggested Answer



Actual exam question from Cisco's 200-901

Question #: 231

Topic #: 1

[\[All 200-901 Questions\]](#)

```
1 import requests
2
3 url = "https://api.meraki.com/api/v0/organizations/{{organizationId}}/insight/
* monitoredMediaServers"
4
5 payload = {
6     "name": "Sample VoIP Provider",
7     "address": "123.123.123.1"
8 }
9 headers = {
10     'Accept': '*/*',
11     'Content-Type': 'application/json'
12 }
13
14 response = requests.request("POST", url, headers=headers, data=payload)
15
16 print(response.text.encode('utf8'))
```

Refer to the exhibit. Which workflow does the script automate?

- A. retrieves a media server that is being monitored
- B. updates a media server that is being monitored
- C. adds a media server to be monitored
- D. deletes a media server that is being monitored

Show Suggested Answer



Actual exam question from Cisco's 200-901

Question #: 232

Topic #: 1

[\[All 200-901 Questions\]](#)

Which description of a default gateway is true?

- A. It is a security feature that denies certain traffic.
- B. It is a device that receives IP packets that have no explicit next-hop in the routing table.
- C. It is a feature that translates between public and private addresses.
- D. It is a device that receives Layer 2 frames with an unknown destination address.

Show Suggested Answer





Actual exam question from Cisco's 200-901

Question #: 233

Topic #: 1

[\[All 200-901 Questions\]](#)

On which port does NETCONF operate by default?

A. 23

B. 443

C. 822

D. 830

Show Suggested Answer





Actual exam question from Cisco's 200-901

Question #: 234

Topic #: 1

[\[All 200-901 Questions\]](#)

Which device is a system that monitors and controls incoming and outgoing network traffic based on predetermined security roles?

- A. router
- B. switch
- C. load balancer
- D. firewall

Show Suggested Answer





Actual exam question from Cisco's 200-901

Question #: 235

Topic #: 1

[\[All 200-901 Questions\]](#)

In DNS, which record specifies an alias that refers to another name that ultimately resolves to an IP address?

- A. CNAME
- B. NS
- C. AAA
- D. SOA

Show Suggested Answer



Actual exam question from Cisco's 200-901

Question #: 236

Topic #: 1

[\[All 200-901 Questions\]](#)

DRAG DROP -

Drag and drop the network component names from the left onto the correct descriptions on the right. Not all options are used.

Select and Place:

DNS server

contains a database of public IP addresses and their associated hostnames and often resolves or translates those names to IP addresses, as requested

firewall

enforces a set of rules about which data packets are allowed to enter or leave a network

reverse proxy

distributes network and application traffic across different servers

load balancer

retrieves resources on behalf of a client from one or more servers, then returns resources to the client, thus appearing as if they originated from the service itself

NAT gateway

Show Suggested Answer





Actual exam question from Cisco's 200-901

Question #: 237

Topic #: 1

[\[All 200-901 Questions\]](#)

Which two types of NAT are used in a network? (Choose two.)

- A. routed NAT
- B. static NAT
- C. multicast NAT
- D. normal NAT
- E. dynamic NAT

Show Suggested Answer





Actual exam question from Cisco's 200-901

Question #: 238

Topic #: 1

[\[All 200-901 Questions\]](#)

What is the purpose of a MAC address?

- A. to uniquely identify a switch in a LAN
- B. to uniquely identify a router in a LAN
- C. to uniquely identify a network interface in a LAN
- D. to uniquely identify a device on the Internet

Show Suggested Answer



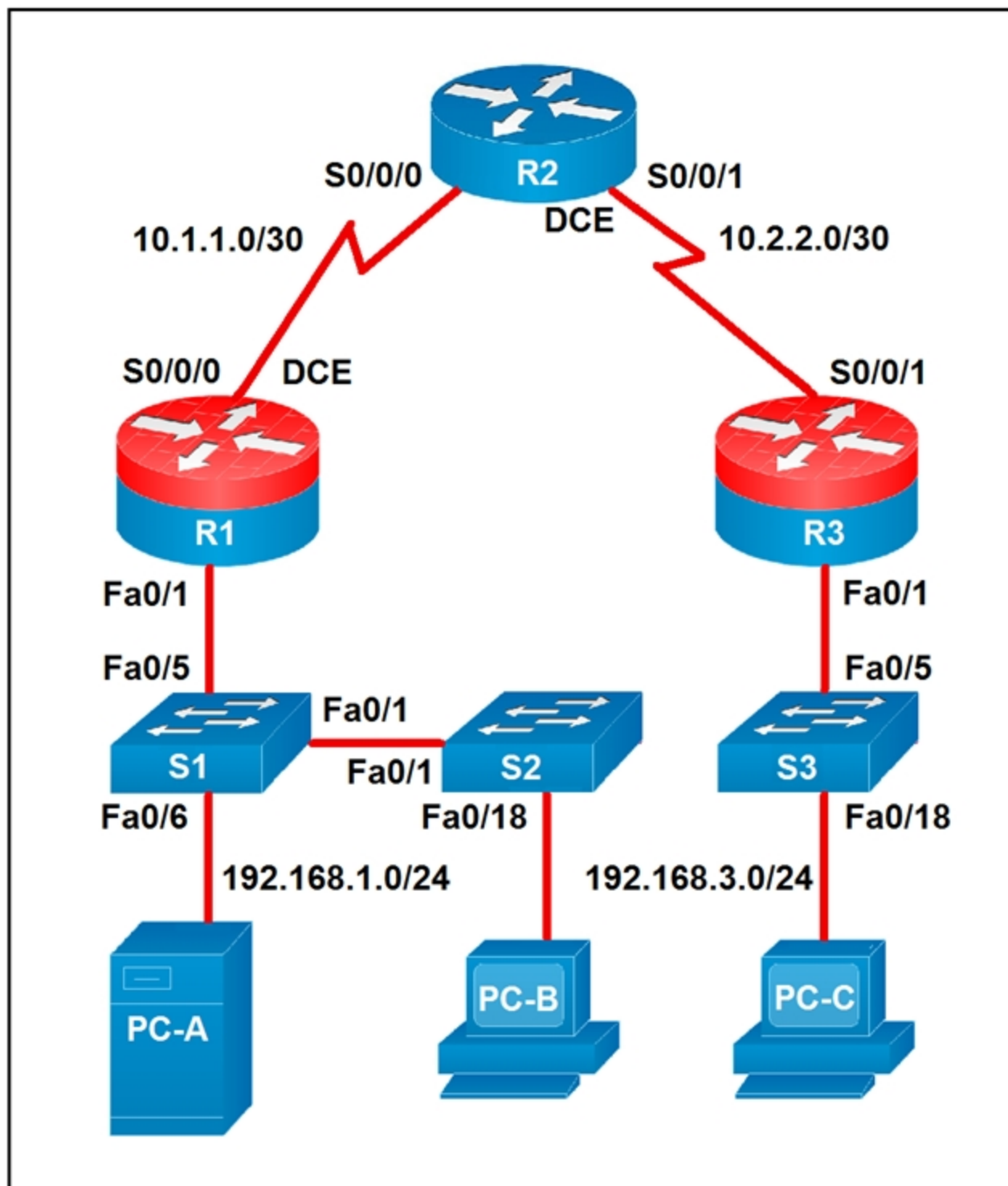
Actual exam question from Cisco's 200-901

Question #: 239

Topic #: 1

[\[All 200-901 Questions\]](#)

Refer to the exhibit.



Which two statements about the network diagram are true? (Choose two.)

- A. The subnet address of PC-B has 18 bits dedicated to the network portion.
- B. One of the routers has two connected serial interfaces.
- C. R1 and R3 are in the same subnet.
- D. PC-A and PC-B are in the same subnet.
- E. The subnet of PC-C can contain 256 hosts.

Show Suggested Answer

Actual exam question from Cisco's 200-901

Question #: 240

Topic #: 1

[\[All 200-901 Questions\]](#)

DRAG DROP -

Drag and drop the network automation interfaces from the left onto the transport protocols that they support on the right. Not all options are used.

Select and Place:

SSH

HTTP

HTTP/2

HTTPS

gRPC

NETCONF

RESTCONF

Show Suggested Answer



Actual exam question from Cisco's 200-901

Question #: 241

Topic #: 1

[\[All 200-901 Questions\]](#)

Which detail is included in a routing table?

- A. broadcast address
- B. TCP or UDP port number
- C. IP protocol
- D. destination next hop or outgoing interface

Show Suggested Answer





Actual exam question from Cisco's 200-901

Question #: 242

Topic #: 1

[\[All 200-901 Questions\]](#)

What is an example of a network interface hardware address?

- A. workstation name
- B. IP address
- C. domain name
- D. MAC address

Show Suggested Answer



Actual exam question from Cisco's 200-901

Question #: 243

Topic #: 1

[\[All 200-901 Questions\]](#)

DRAG DROP -

Drag and drop the functionalities from the left onto the correct networking devices on the right.

Select and Place:

ports are different broadcast domains by default

ports can be in the same broadcast domain

uses traffic inspection to make routing decisions

blocks network traffic by default

Firewall

Load Balancer

Router

Switch

Show Suggested Answer





Actual exam question from Cisco's 200-901

Question #: 244

Topic #: 1

[\[All 200-901 Questions\]](#)

On which network plane is routing protocol traffic handled?

- A. management plane
- B. data plane
- C. authentication plane
- D. control plane

Show Suggested Answer





Actual exam question from Cisco's 200-901

Question #: 245

Topic #: 1

[\[All 200-901 Questions\]](#)

Which device is used to transport traffic from one broadcast domain to another broadcast domain?

- A. layer 2 switch
- B. proxy server
- C. router
- D. load balancer

Show Suggested Answer





Actual exam question from Cisco's 200-901

Question #: 246

Topic #: 1

[\[All 200-901 Questions\]](#)

Which service provides a directory lookup for IP addresses and host names?

- A. DNS
- B. NAT
- C. SNMP
- D. DHCP

Show Suggested Answer





Actual exam question from Cisco's 200-901

Question #: 247

Topic #: 1

[\[All 200-901 Questions\]](#)

Users cannot access a webserver and after the traffic is captured, the capture tool shows an ICMP packet that reports "time exceeded in-transit". What is the cause of this webserver access issue?

- A. A router along the path has the wrong time.
- B. A router along the path is misrouting the packets in a wrong direction.
- C. The server is too loaded and the connection could not be handled in time.
- D. The server is too far away and the packets require too much time to reach it.

Show Suggested Answer





Actual exam question from Cisco's 200-901

Question #: 248

Topic #: 1

[\[All 200-901 Questions\]](#)

What is used in Layer 2 switches to direct packet transmission to the intended recipient?

- A. MAC address
- B. IPv6 address
- C. spanning tree
- D. IPv4 address

Show Suggested Answer





Actual exam question from Cisco's 200-901

Question #: 249

Topic #: 1

[\[All 200-901 Questions\]](#)

What is the purpose of a firewall in application deployment?

- A. adds TLS support to an application that does not support it natively
- B. limits traffic to only ports required by the application
- C. provides translation for an application's hostname to its IP address
- D. forwards traffic to a pool of instances of the application

Show Suggested Answer





Actual exam question from Cisco's 200-901

Question #: 250

Topic #: 1

[\[All 200-901 Questions\]](#)

A small company has 5 servers and 50 clients. What are two reasons an engineer should split this network into separate client and server subnets? (Choose two.)

- A. Subnets will split domains to limit failures.
- B. A router will limit the traffic types between the clients and servers.
- C. Subnets provide more IP address space for clients and servers.
- D. A router will bridge the traffic between clients and servers.
- E. Internet access to the servers will be denied on the router.

Show Suggested Answer





Actual exam question from Cisco's 200-901

Question #: 251

Topic #: 1

[\[All 200-901 Questions\]](#)

What is the function of an IP address in networking?

- A. represents a network connection on specific devices
- B. specifies the type of traffic that is allowed to roam on a network
- C. specifies resource's location and the mechanism to retrieve it
- D. represents the unique ID that is assigned to one host on a network

Show Suggested Answer





Actual exam question from Cisco's 200-901

Question #: 252

Topic #: 1

[\[All 200-901 Questions\]](#)

Where is an IP packet routed if the packet does not match any routes in the routing table?

- A. firewall
- B. load balancer
- C. central switch
- D. default gateway

Show Suggested Answer





Actual exam question from Cisco's 200-901

Question #: 253

Topic #: 1

[\[All 200-901 Questions\]](#)

Which two query types does a client make to a DNS server? (Choose two.)

- A. Inverse
- B. PTR
- C. AAAA
- D. ACK
- E. DISCOVER

Show Suggested Answer





Actual exam question from Cisco's 200-901

Question #: 254

Topic #: 1

[\[All 200-901 Questions\]](#)

What are two functions of a routing table on a network device? (Choose two.)

- A. It lists the routes to drop traffic.
- B. It lists the routes to a particular destination.
- C. It lists the static and dynamic entries.
- D. It lists hosts that are one hop away.
- E. It lists entries more than two hops away.

Show Suggested Answer





Actual exam question from Cisco's 200-901

Question #: 255

Topic #: 1

[\[All 200-901 Questions\]](#)

What does a load balancer distribute in a network environment?

- A. different TCP connections to the routers
- B. incoming traffic across multiple servers
- C. traffic in the network by leveraging the switch architecture
- D. outgoing connections to the network

Show Suggested Answer



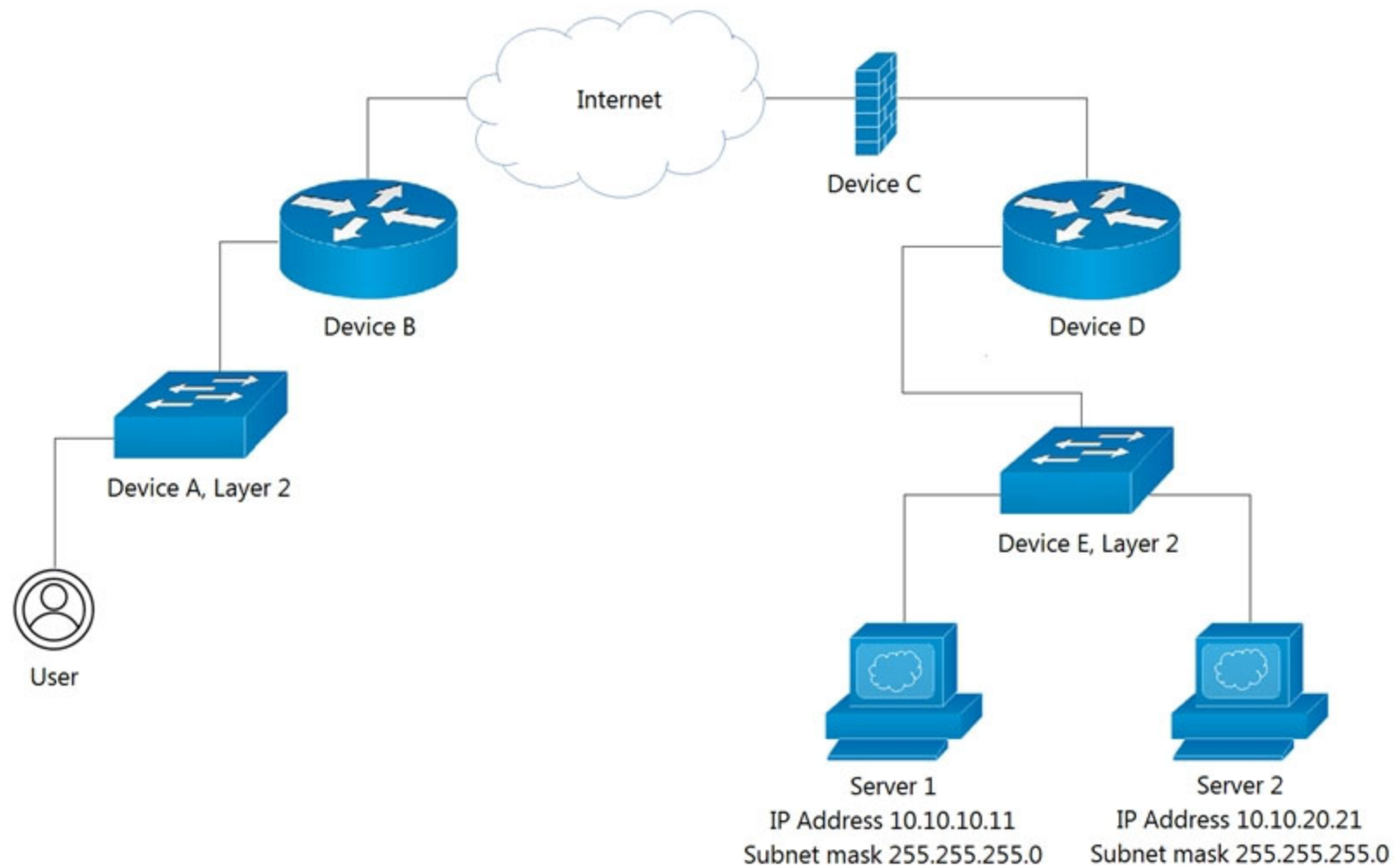
Actual exam question from Cisco's 200-901

Question #: 256

Topic #: 1

[\[All 200-901 Questions\]](#)

Refer to the exhibit.



Which Device limits traffic between Server 1 and Server 2?

- A. Device B
- B. Device C
- C. Device D
- D. Device E

Show Suggested Answer



Actual exam question from Cisco's 200-901

Question #: 257

Topic #: 1

[\[All 200-901 Questions\]](#)

What is the purpose of a MAC address on a network device?

- A. unique network address that identifies the network interface of a device
- B. unique network interlace address that is provided by the DHCP server
- C. unique hardware address that identifies the network interface of a device
- D. unique hardware interface address that is provided by the central switch

Show Suggested Answer





Actual exam question from Cisco's 200-901

Question #: 258

Topic #: 1

[\[All 200-901 Questions\]](#)

How are load balancers used in modern application deployments?

- A. Turn off traffic and take down compute units, then update and bring the compute units back up.
- B. Allow traffic to continue as new compute units are brought up and old compute units are taken down.
- C. Allow HTTP and HTTPS traffic to continue as old compute units are discontinued before new units are brought up.
- D. Bring up new compute units, test the compute units, and switch the traffic from old units to new units.

Show Suggested Answer





Actual exam question from Cisco's 200-901

Question #: 259

Topic #: 1

[\[All 200-901 Questions\]](#)

Which protocol must be allowed on the firewall so that NTP services work properly?

- A. TCP
- B. ICMP
- C. BGP
- D. UDP

Show Suggested Answer





Actual exam question from Cisco's 200-901

Question #: 260

Topic #: 1

[\[All 200-901 Questions\]](#)

Which protocol runs over TCP port 22?

- A. SSH
- B. NETCONF
- C. HTTP
- D. Telnet

Show Suggested Answer





Actual exam question from Cisco's 200-901

Question #: 261

Topic #: 1

[\[All 200-901 Questions\]](#)

What is the purpose of the first three pairs of digits in a MAC address?

- A. defines packet forwarding priority sent or received by the adapter
- B. defines a routing identifier for the client
- C. indicates vendor of the network card or adapter
- D. indicates the IP address of the client in Hex

Show Suggested Answer

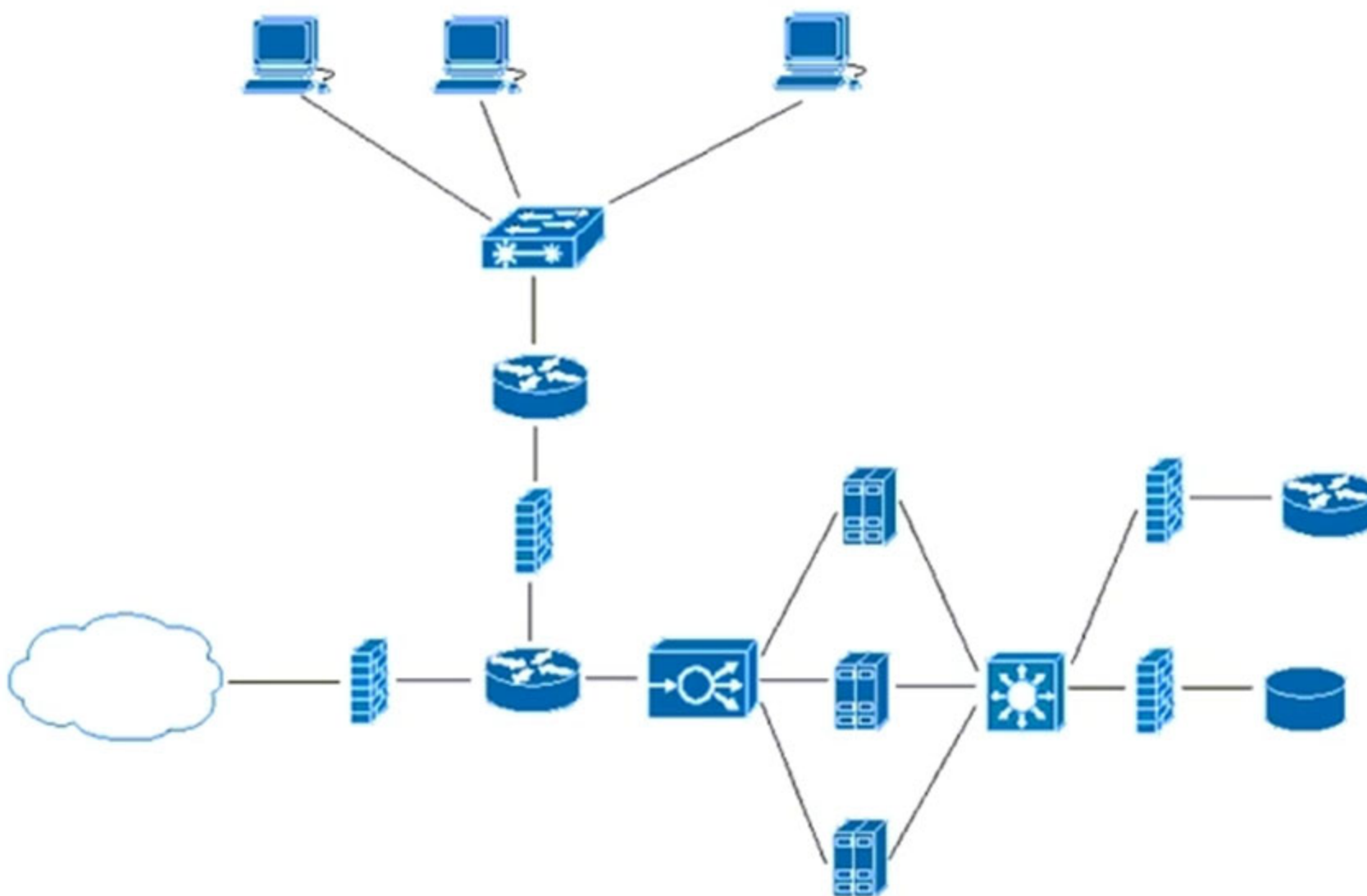


Actual exam question from Cisco's 200-901

Question #: 262

Topic #: 1

[\[All 200-901 Questions\]](#)



Refer to the exhibit. What does the load balancer enable in the network topology?

- A. hosted application to access Internet services
- B. external requests to be routed to the application servers
- C. application to access the database server
- D. workstations to access the Internet

Show Suggested Answer



Actual exam question from Cisco's 200-901

Question #: 263

Topic #: 1

[\[All 200-901 Questions\]](#)

What are two benefits of using VLANs? (Choose two.)

- A. limits the devices that can join the network
- B. enables the logical grouping of devices that belong to different Layer 2 devices
- C. segments the broadcast domain
- D. allows all network devices to be accessible from any host on the network
- E. extends the broadcast domain

Show Suggested Answer





Actual exam question from Cisco's 200-901

Question #: 264

Topic #: 1

[\[All 200-901 Questions\]](#)

What are two considerations when selecting the `best route` for a network device to reach its destination? (Choose two.)

- A. MAC address
- B. IP address
- C. metrics
- D. administrative distance
- E. subnet mask

Show Suggested Answer



Actual exam question from Cisco's 200-901

Question #: 265

Topic #: 1

[\[All 200-901 Questions\]](#)

DRAG DROP -

Drag and drop the function on the left onto the type of plane that handles the function on the right.

Select and Place:

handles transit traffic

handles signaling protocols destined to the device

handles hardware forwarding decisions

handles configuration change protocols destined to the device

handles BGP destined to the device

handles NETCONF destined to the device

Control Plane

Management Plane

Data Plane

Show Suggested Answer



Actual exam question from Cisco's 200-901

Question #: 266

Topic #: 1

[\[All 200-901 Questions\]](#)

Users cannot access a webserver and after the traffic is captured, the capture tool shows an ICMP packet that reports "communication administratively prohibited". What is the cause of this webserver access issue?

- A. An access list along the path is blocking the traffic.
- B. Users must authenticate on the webserver to access it.
- C. A router along the path is overloaded and thus dropping traffic.
- D. The traffic is not allowed to be translated with NAT and dropped.

Show Suggested Answer





Actual exam question from Cisco's 200-901

Question #: 267

Topic #: 1

[\[All 200-901 Questions\]](#)

Which application should be used to externally access all applications deployed in the same host machine with a single public IP address and port, when each application listens on different local ports?

- A. reverse proxy
- B. load balancer
- C. DNS
- D. firewall

[Show Suggested Answer](#)





Actual exam question from Cisco's 200-901

Question #: 268

Topic #: 1

[\[All 200-901 Questions\]](#)

Which implementation creates a group of devices on one or more LANs that are configured to communicate as if they were attached to the same wire?

- A. WLAN
- B. VLAN
- C. IPsec
- D. HSRP

Show Suggested Answer





Actual exam question from Cisco's 200-901

Question #: 269

Topic #: 1

[\[All 200-901 Questions\]](#)

What are two properties of private IP addresses? (Choose two.)

- A. They can be used to access the Internet directly.
- B. They are more secure than public IP addresses.
- C. They are not globally unique.
- D. They can be repeated within the same local network.
- E. They are controlled globally by an IP address registry.

Show Suggested Answer





Actual exam question from Cisco's 200-901

Question #: 270

Topic #: 1

[\[All 200-901 Questions\]](#)

Which protocol runs over TCP port 23?

- A. SSH
- B. NETCONF
- C. HTTP
- D. Telnet

Show Suggested Answer





Actual exam question from Cisco's 200-901

Question #: 271

Topic #: 1

[\[All 200-901 Questions\]](#)

Which two details are captured from the subnet mask? (Choose two.)

- A. portion of an IP address that refers to the subnet
- B. default gateway of the host
- C. unique number ID assigned to the host
- D. part of an IP address that refers to the host
- E. network connection of a host or interface

Show Suggested Answer

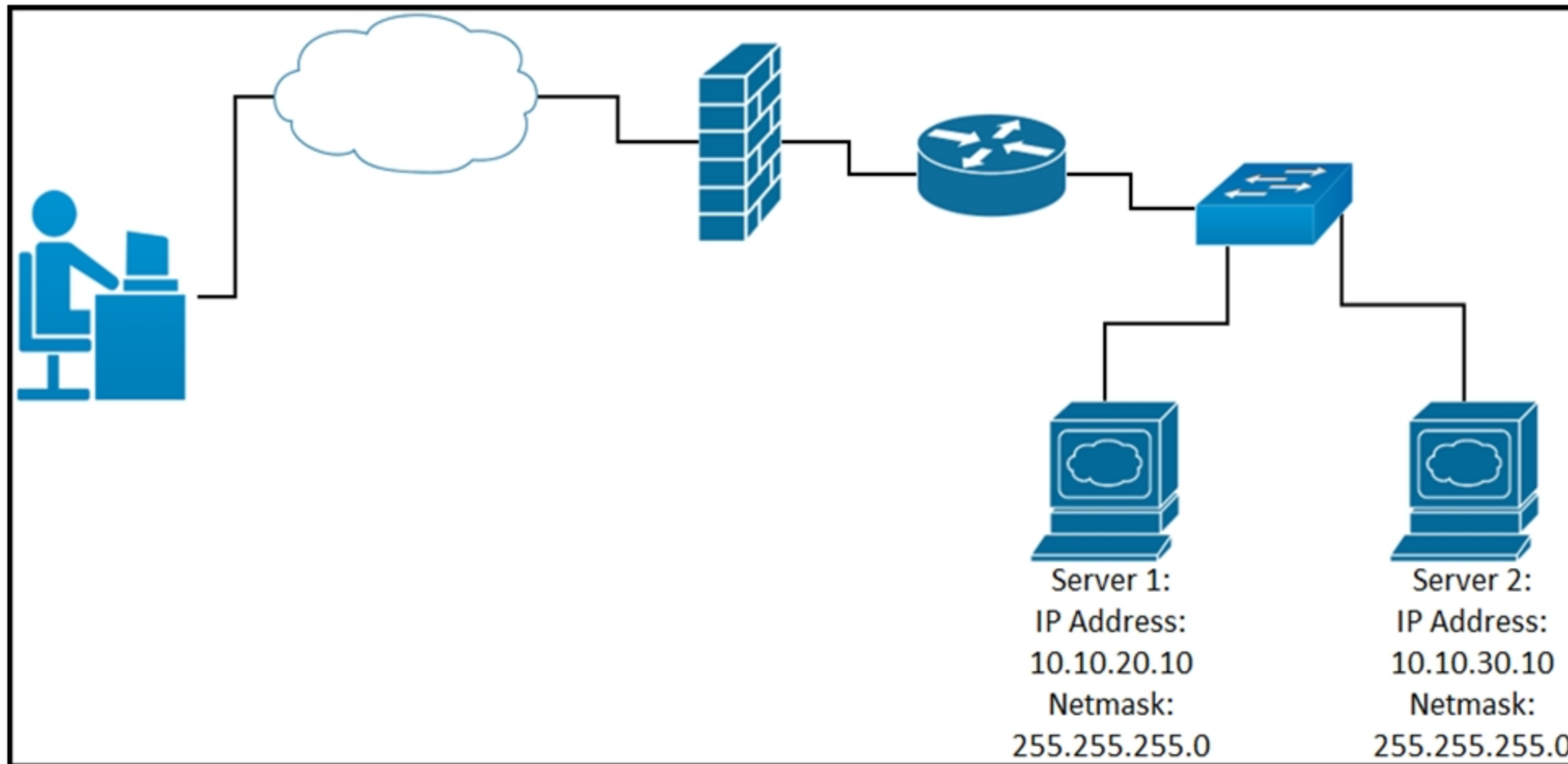


Actual exam question from Cisco's 200-901

Question #: 272

Topic #: 1

[\[All 200-901 Questions\]](#)



Refer to the exhibit. While developing a Cisco Webex bot, an application reaches the public IP address of the firewall, but traffic is forwarded to the IP address of server 1 instead of the IP address of server 2. What causes this issue?

- A. The proxy server that rewrites traffic is misconfigured.
- B. The router is sending the traffic to server 1 instead of server 2.
- C. The switch is forwarding IP traffic to the wrong VLAN.
- D. NAT is misconfigured on the firewall.

Show Suggested Answer



Actual exam question from Cisco's 200-901

Question #: 273

Topic #: 1

[\[All 200-901 Questions\]](#)

Developer is working on a new feature and made changes on a branch named 'branch-413667549a-new'. When merging the branch to production, conflicts occurred. Which Git command must the developer use to recreate the pre-merge state?

- A. `git merge --no-edit`
- B. `git merge --commit`
- C. `git merge --revert`
- D. `git merge --abort`

Show Suggested Answer





Actual exam question from Cisco's 200-901

Question #: 274

Topic #: 1

[\[All 200-901 Questions\]](#)

A company wants to automate the orders processed on its website using API. The network device that supports the solution must:

- support XML encoding
- support distributed transactions
- support YANG data models
- be support software redundancy

Which requirement prevents the use of RESTCONF for the solution?

- A. software redundancy
- B. YANG data models
- C. distributed transactions
- D. XML encoding

Show Suggested Answer



Actual exam question from Cisco's 200-901

Question #: 275

Topic #: 1

[\[All 200-901 Questions\]](#)

DRAG DROP

CISCO INTERSIGHT

Introduction

- ▼ Create Server Profile and Re...
- POST Create Server VMedia Policy
- GET Retrieve Server VMedia Policy...
- POST Create Server Boot Policy
- GET Retrieve Server Boot Policy by...
- POST Create Server NTP Policy
- GET Retrieve NTP Policy by Moid
- POST Create 'server-01' Server Profi...
- GET Retrieve 'server-01' Server Pr...
- POST Create 'server-02' Server Profi...
- GET Retrieve 'server-02' Server Pr...
- POST Update vmedia/Profiles Profil...
- POST Update Boot/PrecisionPolicie...
- POST Update NTP/Policies Profiles ...
- GET Retrieve Server RackUnit Res...

Create Server Profile and Resources

POST Create Server VMedia Policy

https://www.intersight.com/api/v1/vmedia/Policies

HEADERS

Accept	application/json
Authorization	Signature {{httpsig}}
Digest	{{computed-digest}}
Date	{{current-date}}
Content-Type	application/json

Refer to the exhibit. Drag and drop the code from the bottom onto the box where the code is missing to construct a Python script by using the Cisco SDK. Not all options are used.

```
import sys, json, argparse
from intersight.intersight_api_client import IntersightApiClient
from intersight.apis import asset_device_registration_api, asset_device_claim_api

result = dict(changed=False)

parser = argparse.ArgumentParser()
parser.add_argument('-a', '--api_params', default='intersight_api_params.json')
parser.add_argument('-t', '--target_host', dest='hostname', required=True)
args = parser.parse_args()
with open(args.api_params, 'r') as api_file:
    intersight_api_params = json.load( )
api_instance = IntersightApiClient(
    host=intersight_api_params[''],
    private_key=intersight_api_params['api_private_key_file'],
    api_key_id=intersight_api_params['api_key_id'],
)
api_handle = asset_device_registration_api.AssetDeviceRegistrationApi(api_instance)

kwargs = dict(filter="ConnectionStatus eq 'Connected'")
= api_handle.asset_device_registrations_get(** )

for device in api_result.results:
    if device.device_ip_address[0] == args.hostname:
        api_handle = asset_device_claim_api.AssetDeviceClaimApi(api_instance)
        api_handle.asset_device_claims_moid_delete(moid=device.device_claim.moid)
        result['changed'] = True
        break
```

kwargs

args

api_file

api_key

api_base_uri

result

api_result

Show Suggested Answer



Actual exam question from Cisco's 200-901

Question #: 276

Topic #: 1

[\[All 200-901 Questions\]](#)

DRAG DROP

-

Drag and drop the functions from the left onto the networking devices on the right.

forwards by default

load balancer

distributes unicast
traffic over devices

switch

uses traffic inspection to make
forwarding decisions

firewall

distributes multicast traffic
over devices

router

Show Suggested Answer





Actual exam question from Cisco's 200-901

Question #: 277

Topic #: 1

[\[All 200-901 Questions\]](#)

Which technology is responsible for resolving a host name to an IP address?

- A. DNS
- B. SNMP
- C. DHCP
- D. NTP

Show Suggested Answer

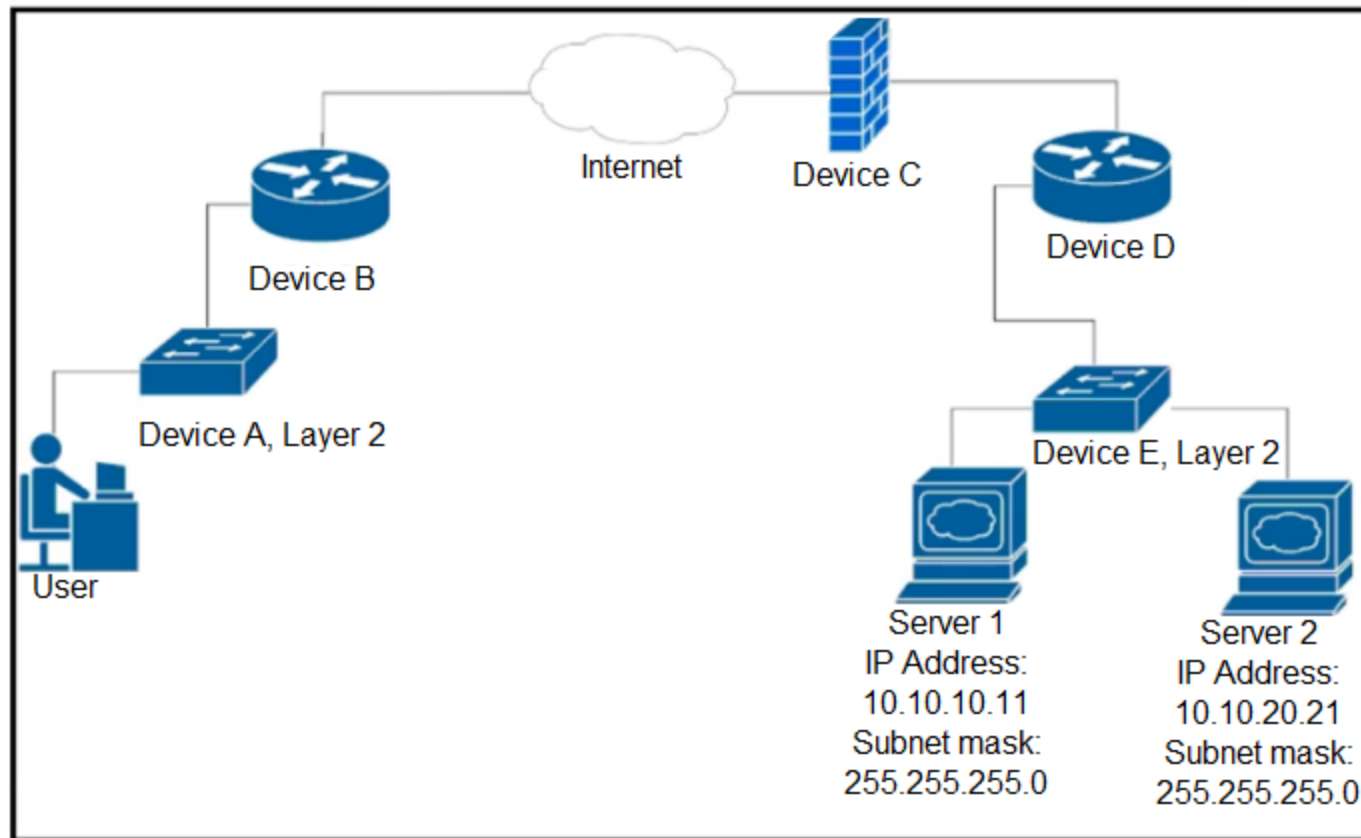


Actual exam question from Cisco's 200-901

Question #: 278

Topic #: 1

[\[All 200-901 Questions\]](#)



Refer to the exhibit. Up to which device does the communication server 1 and server 2 go?

- A. device B
- B. device C
- C. device D
- D. device E

Show Suggested Answer

Actual exam question from Cisco's 200-901

Question #: 279

Topic #: 1

[\[All 200-901 Questions\]](#)

```
url = 'https://api.amp.cisco.com/v1/computers'
response = session.get (url)
response_json = response.json ()

for item in response_json ['data'] :
    print (item['connector_guid'], item['hostname'])

while 'next' in response_json['metadata'] ['links']:
    
    response = session.get (next_url)
    response_json = response.json()
    for item in response_json['data']:
        print(item['connector_guid'], item['hostname'])
```

Refer to the exhibit. An engineer sends the request to collect data over Cisco AMP for Endpoints API. The Engineer must list guide and hostname data for all computers, but the first request returns only 500 items out of 2,000. Then, the engineer adds the loop to collect all the data. What must be added to the script where the code is missing to complete the requests?

- A.
- B.
- C.
- D.

Show Suggested Answer



Actual exam question from Cisco's 200-901

Question #: 280

Topic #: 1

[\[All 200-901 Questions\]](#)

Which protocol is used for clock synchronization between network devices?

- A. FTP
- B. NNTP
- C. BGP
- D. NTP

Show Suggested Answer





Actual exam question from Cisco's 200-901

Question #: 281

Topic #: 1

[\[All 200-901 Questions\]](#)

What is the meaning of the HTTP status code 204?

- A. request completed; new resource created
- B. server successfully processed request; no content returned
- C. standard response for successful requests
- D. invalid query parameters

Show Suggested Answer





Actual exam question from Cisco's 200-901

Question #: 282

Topic #: 1

[\[All 200-901 Questions\]](#)

Which two commands download and execute an Apache web server container in Docker with a port binding 8080 in the container to 80 on the host? (Choose two.)

- A. docker pull apache
- B. docker run -p 8080:80 httpd
- C. docker run -p 80:8080 httpd
- D. docker pull httpd
- E. docker pull https

Show Suggested Answer





Actual exam question from Cisco's 200-901

Question #: 283

Topic #: 1

[\[All 200-901 Questions\]](#)

A group of software developers wants to improve its collaboration with the operations team. The group wants to deliver release-ready code that merges code changes back to the main branch and runs the automated testing as often as possible. Which DevOps concept does this scenario represent?

- A. continuous delivery
- B. version control
- C. continuous integration
- D. continuous deployment

Show Suggested Answer



Actual exam question from Cisco's 200-901

Question #: 284

Topic #: 1

[\[All 200-901 Questions\]](#)

A developer is running an application that connects to the Cisco website and collects data. The application will be hosted in a local data center and the data will need to be collected on a frequent basis. The application client requires certain environmental variables to be set before the run. Which Bash command sets the environmental variables for a Linux system?

- A. `"cisco.com"=WEBSITE`
- B. `export lvar=23`
- C. `WEBSITE="cisco.com"`
- D. `export website="cisco.com"`

Show Suggested Answer



Actual exam question from Cisco's 200-901

Question #: 285

Topic #: 1

[\[All 200-901 Questions\]](#)

DRAG DROP

SDK Documentation:

OrganizationController:

get_organizations()
get_network_device(dict)

DevicesController:

get_network_devices(id)

NetworksController:

get_organization_networks(dict)

Refer to the exhibit. A script must output details of all the Cisco Meraki MS220-BP switches across all organizations and networks. Drag and drop the code snippets from the bottom onto the boxes in the code to complete the script. Not all options are used.

```
from meraki_sdk.meraki_sdk_client import MerakiSdkClient
from meraki_sdk.exceptions.api_exception import APIException

api_key = "API_KEY"
client = MerakiSdkClient(api_key)

for org in :
    try:
        options = {"organization id": org["id"]}
        networks = 
        for network in networks:
            devices = 
            for device in devices:
                if device["model"] == "MS220-8P":
                    options = {"network id": network["id"], "serial": device["serial"]}
                    output = 
                    print(output)
            except APIException as e:
                pass
```

Show Suggested Answer

Actual exam question from Cisco's 200-901

Question #: 286

Topic #: 1

[\[All 200-901 Questions\]](#)

```
1 URL: https://example.com/restconf/data/Cisco-IOS-XE-native:native/logging/monitor
2 Method: POST
3
4 Headers: { 'Content-type': 'application/yang-data+json', 'Accept': 'application/yang-data+json,
* application/yang-data.errors+json' }
5
6 Body:
7
8 {
9   "severity": "alerts"
10 }
```

Refer to the exhibit. Which HTTP code is returned after the RESTCONF query is executed?

- A. 201
- B. 204
- C. 302
- D. 304

Show Suggested Answer

Actual exam question from Cisco's 200-901

Question #: 287

Topic #: 1

[\[All 200-901 Questions\]](#)

DRAG DROP

Drag and drop the code snippets from the bottom onto the blanks in the code to complete the happy path scenario. Not all options are used.

```
import member as m
import pytest
class Team:
    def __init__(self, name):
        self.name = name
        self.members = []
    def add_member(self, member):
        if member:
            if member not in self.members:
                
                return True
            else:
                
        else:
            

@pytest.fixture
def team():
    team = Team('Reds')
    yield team
    del team

@pytest.fixture
def member():
    member = m.Member('Chris George')
    yield member
    del member

@pytest.mark.usefixtures('team', 'member')
class TestHappyPathAddMemberToTeam:
    def test_add_member_to_team(self, team, member):
        assert  is True
```

Show Suggested Answer



Actual exam question from Cisco's 200-901

Question #: 288

Topic #: 1

[\[All 200-901 Questions\]](#)

Which traffic is handled on the control plane?

- A. BGP
- B. SMB
- C. NTP
- D. NETCONF

Show Suggested Answer



Actual exam question from Cisco's 200-901

Question #: 289

Topic #: 1

[\[All 200-901 Questions\]](#)

```
1 - name: Configure Interfaces
2   with_items: "{{interfaces}}"
3   netconf_config:
4     <<: *host_info
5     xml: |
6       <config>
7         <interfaces xmlns="urn:ietf:params:xml:ns:yang:ietf-interfaces">
8           <interface>
9             <name>{{item.interface_type}}{{item.interface_id}}</name>
10            <description>{{item.description}}</description>
11            <type xmlns:ianaift="urn:ietf:params:xml:ns:yang:iana-if-
12            * type">ianaift:ethernetCsmacd</type>
13            <enabled>true</enabled>
14            <ipv4 xmlns="urn:ietf:params:xml:ns:yang:ietf-ip">
15              <address>
16                <ip>{{item.ip_address}}</ip>
17                <netmask>{{item.subnet_mask}}</netmask>
18              </address>
19            </ipv4>
20          </interface>
21        </interfaces>
22      </config>
```

Refer to the exhibit. A network engineer must configure new interfaces on a set of devices and is planning to use an Ansible playbook for the task. All devices support SSH and NETCONF protocol, and the interface variables are unique per device. In which directory are the YAML files including variables hosted to automate the task with the netconf_config module?

- A. current working directory
- B. host_vars directory
- C. group_vars directory
- D. home directory

Show Suggested Answer



Actual exam question from Cisco's 200-901

Question #: 290

Topic #: 1

[\[All 200-901 Questions\]](#)

Which standard supported by Cisco IOS XE and Cisco NX-OS is used for automating the configuration of multiple devices across a network?

- A. SNMP – YANG
- B. SYSLOG – YANG
- C. CLI – YANG
- D. NETCONF – YANG

Show Suggested Answer





Actual exam question from Cisco's 200-901

Question #: 291

Topic #: 1

[\[All 200-901 Questions\]](#)

A developer has addressed a bug that was found in the production code of an application. A separate file named 'bug427896191v_fix' has been created with the changes to the code. Which Git command must be used to incorporate the bug fix into the production code?

- A. git rebase
- B. git cat-file
- C. git merge-file
- D. git bisert

Show Suggested Answer





Actual exam question from Cisco's 200-901

Question #: 292

Topic #: 1

[\[All 200-901 Questions\]](#)

What is a principle of a code review process?

- A. Changes are made after the code is submitted to source control.
- B. It must not prevent code from getting into production as quickly as possible.
- C. Naming standards must be consistent.
- D. A technical lead must sign off on the review.

Show Suggested Answer





Actual exam question from Cisco's 200-901

Question #: 293

Topic #: 1

[\[All 200-901 Questions\]](#)

Why would a developer compare a current version of code to a previous version?

- A. to provide the single source of truth
- B. to troubleshoot code failures
- C. to track who made a change
- D. to aid in collaboration

Show Suggested Answer





Actual exam question from Cisco's 200-901

Question #: 294

Topic #: 1

[\[All 200-901 Questions\]](#)

Which Cisco platform is used to manage data center infrastructure through third-party tools and system integrations?

- A. Cisco DNA Center
- B. Cisco UCS Manager
- C. Cisco Intersight
- D. Cisco UCS Director

Show Suggested Answer



Actual exam question from Cisco's 200-901

Question #: 295

Topic #: 1

[\[All 200-901 Questions\]](#)

```
HTTPS/1.1 201 Created
Date: Tue, 08 Nov 2020 09:37:27 GMT
Server: example-server
Location: https://example.com/restconf/data\
example-jukebox/library/dogbreed=Australian%20Cattle%20Dog
Last Modified: Tue 08 Nov 2020 09:37:27 GMT
ETag: "s1878124t4c"
```

Refer to the exhibit. Which RESTCONF request results in this response?

```
GET /restconf/data/example-jukebox:jukebox/library HTTP/1.1
Host: example.com
Content-Type: application/yang-data+json

A. {
  "Example-jukebox:dogbreed" : [
    {
      "name" : "Australian Cattle Dog"
    }
  ]
}
```

```
CONFIG /restconf/data/example-jukebox:jukebox/library HTTP/1.1
Host: example.com
Content-Type: application/yang-data+json

B. {
  "Example-jukebox:dogbreed" : [
    {
      "name" : "Australian Cattle Dog"
    }
  ]
}
```

```
PUT /restconf/data/example-jukebox:jukebox/library HTTP/1.1
Host: example.com
Content-Type: application/yang-data+json

C. {
  "Example-jukebox:dogbreed" : [
    {
      "name" : "Australian Cattle Dog"
    }
  ]
}
```

```
POST /restconf/data/example-jukebox:jukebox/library HTTP/1.1
Host: example.com
Content-Type: application/yang-data+json

D. {
  "Example:dogbreed" : [
    {
      "name" : "Australian Cattle Dog"
    }
  ]
}
```

Show Suggested Answer





Actual exam question from Cisco's 200-901

Question #: 296

Topic #: 1

[\[All 200-901 Questions\]](#)

```
$ find /home/user/backup -mtime +30 -type f -print  
$ find /home/user/backup -mtime +30 -type f -delete
```

Refer to the exhibit. An engineer is managing the network of an enterprise. The network is using a distributed deployment model. The enterprise uses database to store logs. The current policy requires logs to be stored if changes are made to the infrastructure in any of the devices on the data centers. Which workflow is being automated by the Bash script?

- A. returning backup files that are older than 30 days
- B. deleting backup files that are older than 30 days
- C. configuring the directory to delete files automatically
- D. automating deletion of all backup files every 30 days

Show Suggested Answer



Actual exam question from Cisco's 200-901

Question #: 297

Topic #: 1

[\[All 200-901 Questions\]](#)

DRAG DROP

Refer to the exhibit. Drag and drop the code snippets from the bottom onto the blanks in the Python script to retrieve a list of network devices from Cisco DNA Center. Not all options are used.

```
import requests
import json
from urllib3.exceptions import InsecureRequestWarning

requests.packages.urllib3.disable_warnings()

dna_center_url = "My_DNA_Center_URL"
authentication = ("dnacenteruser", "dnacenter_password")

def get_token ():
    url = "https:// " + dna_center_url + "/dna/system/api/v1/auth/token"
    response = requests.post(url, auth=authentication, verify=False)
    token = response.json()['Token']
    return token

def get_device_list():
    token = 
    url = "https:// " + dna_center_url + "dna/intent/api/v1/" + 
    header = {  : token, 'content-type' : 'application/json' }
    response = requests.get(url, headers=header)
    device_list = 
    print(json.dumps (device_list, indent=4))

if __name__ == "__main__":
    get_device_list()
```

Show Suggested Answer





Actual exam question from Cisco's 200-901

Question #: 298

Topic #: 1

[\[All 200-901 Questions\]](#)

What is a characteristic of RPC APIs compared to REST APIs?

- A. Authentication is done over provisions for the service caller and vice versa for RPC API, and REST API uses HTTP headers for authentication.
- B. All communications between the client and server must be stateless for RPC API, and REST API is stateful.
- C. The architecture model for RPC API is resource-focused, and REST API is procedure-focused.
- D. The data payload must be in JSON format for RPC API, and REST API allows JSON and XML formats.

Show Suggested Answer





Actual exam question from Cisco's 200-901

Question #: 299

Topic #: 1

[\[All 200-901 Questions\]](#)

Which two situations align with infrastructure as code principles? (Choose two.)

- A. nonreplicable snowflake servers
- B. release versions to specific hardware
- C. maximized configuration drift
- D. easily reproducible systems
- E. repeatable processes

Show Suggested Answer



Actual exam question from Cisco's 200-901

Question #: 300

Topic #: 1

[\[All 200-901 Questions\]](#)

```
import requests, json
url = https://sandboxdnac.cisco.com:443/dna/intent/api/v1/3daa70bdcd5b
headers = {
    'x-auth-token': 'eyJhbGc ... yJbN8',
    'Content-Type': 'application/json',
}
payload = {
    "settings": {
        "dhcpServer": ["172.30.200.5"],
        "dnsServer": {
            "domainName": "devnet.local",
            "primaryIpAddress": "172.30.200.6",
            "secondaryIpAddress": "172.30.200.7",
        },
        "syslogServer": {"ipAddresses": ["10.255.0.1"], "configureDnacIP": True}
    }
}
response = requests.request('POST', url, headers=headers, data=payload)
print(response.status_code)
```

Refer to the exhibit. A developer writes a script to create a new network by using the Cisco DNA Center API. After running the script for the first time, the developer observes that HTTP code 404 is printed to the console. Which action resolves the problem?

- A. The x-auth-token value must be changed to a valid token.
- B. The API URL must be changed with a valid URL.
- C. The requested payload must be fixed to include missing parts.
- D. Internal errors on the code of API server must be fixed.

Show Suggested Answer



Actual exam question from Cisco's 200-901

Question #: 301

Topic #: 1

[\[All 200-901 Questions\]](#)

A developer plans to deploy a new application that will use an API to implement automated data collection from Webex with these requirements:

- The application was created by using the request library.
- Requires HTTP basic authentication.
- Provides data in JSON or XML formats.

Which Cisco DevNet resource helps the developer with how to use the API?

- A. DevNet sandbox
- B. API documentation
- C. forums
- D. DevNet code exchange

Show Suggested Answer





Actual exam question from Cisco's 200-901

Question #: 302

Topic #: 1

[\[All 200-901 Questions\]](#)

An engineer deploys a Cisco CSR 1000 V instance to a virtual machine. The engineer must output the device configuration in JSON format. Which protocol is used for this task?

- A. YANG
- B. NETCONF
- C. SNMP
- D. RESTCONF

Show Suggested Answer





Actual exam question from Cisco's 200-901

Question #: 303

Topic #: 1

[\[All 200-901 Questions\]](#)

What are two benefits of implementing common data structures when working with APIs in remote systems? (Choose two.)

- A. ensures that developers are limited to using one data schema type
- B. prevents multivendor interoperability
- C. improves security in RESTful web services
- D. enforces standardized data structures
- E. leverages code that is easily managed and reused

Show Suggested Answer



Actual exam question from Cisco's 200-901

Question #: 304

Topic #: 1

[\[All 200-901 Questions\]](#)

A development team is creating an application used for contactless payments. The application must:

- Be web-based
- Capture and process the credit card information for a purchase.

Which security action must the web application use to gather and process the private customer data?

- A. Enable RATs to monitor the web application remotely.
- B. Disable botnets to eliminate risks.
- C. Disable TLS to increase the connection speed.
- D. Enable the encryption of network traffic.

Show Suggested Answer



Actual exam question from Cisco's 200-901

Question #: 305

Topic #: 1

[\[All 200-901 Questions\]](#)

An engineer needs to collect information about 20,000 Bluetooth clients using the Cisco Meraki API. The API returns only 1,000 results. One of the HTTP response headers has the data:

Link: `https://api.meraki.com/info/api/v0/networks/ABC/bluetoothClients?perPage=1000&startingAfter=1000>;rel="next"`

Which RFC is implemented by the API to apply the restriction?

- A. RFC 5988 – Web Linking
- B. RFC 5890 – Response Constraints
- C. RFC 5005 – Feed Paging and Archiving
- D. RFC 5446 – Content Limits

Show Suggested Answer





Actual exam question from Cisco's 200-901

Question #: 306

Topic #: 1

[\[All 200-901 Questions\]](#)

What are two benefits of using classes over functions when writing applications? (Choose two.)

- A. improved readability
- B. increased compatibility
- C. variable reusability
- D. increased performance
- E. code organization

Show Suggested Answer



Actual exam question from Cisco's 200-901

Question #: 307

Topic #: 1

[\[All 200-901 Questions\]](#)

DRAG DROP

Drag and drop the steps from the left into order on the right to create a common CI/CD pipeline process. Not all options are used.

Build

step 1

Commit

step 2

Deploy

step 3

Evaluate

step 4

Test

Regress

Show Suggested Answer



Actual exam question from Cisco's 200-901

Question #: 308

Topic #: 1

[\[All 200-901 Questions\]](#)

DRAG DROP

Drag and drop the code from the bottom onto the box where the code is missing to obtain a list of network devices by using the Cisco Meraki API. Not all options are used.

```
import requests

url = "https://api.meraki.com/api/v0/ [ ] /{{networkId}}/ [ ] "

payload = {}
headers = {
    'Accept': '*/*'
}

response = requests.request(" [ ] ", url, headers=headers, data=payload)

print(response.text. [ ] ('utf8'))
```

teams

networks

devices

GET

POST

encrypt

encode

Show Suggested Answer





Actual exam question from Cisco's 200-901

Question #: 309

Topic #: 1

[\[All 200-901 Questions\]](#)

A developer creates a new application, but the application must be tested before being released to a customer. When a mobile phone that uses 4G is used to access the application, the request fails. Why does the connection to the application fail?

- A. The application is hosted on premises and VPN connectivity is required
- B. The application must be added to the production server before testing.
- C. The application must be moved to the cloud before testing is possible.
- D. The application connectivity is limited to HTTPS protocol.

Show Suggested Answer





Actual exam question from Cisco's 200-901

Question #: 310

Topic #: 1

[\[All 200-901 Questions\]](#)

Which platform has an API that has the capability to obtain a list of vulnerable software on user devices?

- A. Cisco Advanced Malware Protection
- B. Cisco Umbrella
- C. Cisco Identity Services Engine
- D. Cisco Firepower

Show Suggested Answer





Actual exam question from Cisco's 200-901

Question #: 311

Topic #: 1

[\[All 200-901 Questions\]](#)

A developer creates an application that must provide an encrypted connection or API keys. The keys will be used to communicate with a REST API. Which command must be used for the secure connection?

- A. `curl -X PUSH 'http://username.app.com/endpoint/?api_key=12345abcdef'`
- B. `curl -v 'ftp://username.app.com/endpoint/?api_key=12345abcdef'`
- C. `curl -X GET 'https://username.app.com/endpoint/?api_key=12345abcdef'`
- D. `curl -X GET 'http://username.app.com/endpoint/?api_key=12345abcdef'`

Show Suggested Answer



Actual exam question from Cisco's 200-901

Question #: 312

Topic #: 1

[\[All 200-901 Questions\]](#)

A developer is developing a web application that uses username and password to authenticate to the next service. The user credentials must be available at any time in the application. The developer must choose and implement a secure method of storing the authentication credentials that are used in the automation code. Which password handling method must be used to minimize the security risk?

- A. Store the username and password in a separate configuration file.
- B. Store the username and password in a vault.
- C. Store the passwords in a dictionary.
- D. Store the username and password in code.

Show Suggested Answer





Actual exam question from Cisco's 200-901

Question #: 313

Topic #: 1

[\[All 200-901 Questions\]](#)

What is a capability of the AXL API?

- A. It signs a user in to a phone that is configured for extension mobility.
- B. It pulls logs for the Cisco Tomcat service.
- C. It authenticates users who exist in Cisco Unified Communications Manager.
- D. It provides support for HTTP and HTTPS communications.

Show Suggested Answer



Actual exam question from Cisco's 200-901

Question #: 314

Topic #: 1

[\[All 200-901 Questions\]](#)

A developer creates a program in which an object maintains a list of classes based on the observer pattern. The classes are dependent on the object. Whenever the state of the object changes, it notifies the dependent classes directly through callbacks. Which advantage of the observer pattern offers minimum dependencies and maximum flexibility between dependent objects or classes?

- A. tight coupling
- B. cohesion
- C. mediation
- D. loose coupling

Show Suggested Answer





Actual exam question from Cisco's 200-901

Question #: 315

Topic #: 1

[\[All 200-901 Questions\]](#)

What is a feature of XML compared to other data formats?

- A. It uses tags to define the structure.
- B. It uses parenthesis for key-value pairs.
- C. It uses indentation to define the structure.
- D. It uses namespaces for list representation.

Show Suggested Answer



Actual exam question from Cisco's 200-901

Question #: 316

Topic #: 1

[\[All 200-901 Questions\]](#)

DRAG DROP

-

```
FROM myImage
VOLUME ["/data"]
ENTRYPOINT ["/bin/sh"]
```

Refer to the exhibit. Drag and drop the actions from the left that the contents of this Dockerfile accomplish onto the right. Not all options are used.

Inject the image myImage.

step 1

Pull the image myImage.

step 2

Execute the "data" script under "/bin/sh".

step 3

Establish a volume whose root is "/data".

Put the user in a shell inside the container.

Show Suggested Answer



Actual exam question from Cisco's 200-901

Question #: 317

Topic #: 1

[\[All 200-901 Questions\]](#)

What is a capability of Ansible playbooks?

- A. They execute scheduled tasks regularly.
- B. They define the state for a device configuration.
- C. They collect SNMP logs from networking devices.
- D. They utilize the target device agent to execute.

Show Suggested Answer



Actual exam question from Cisco's 200-901

Question #: 318

Topic #: 1

[\[All 200-901 Questions\]](#)

DRAG DROP -

```
get_interface_info_by_id(device_id, headers=None, **request_parameters) [source]
```

Returns list of interfaces by specified device.

Parameters

- `device_id` (*basestring*) - Device ID.
- `headers` (*dict*) - Dictionary of HTTP Headers to send with the Request .
- `**request_parameters` - Additional request parameters (provides support for parameters that may be added in the future).

Returns

JSON response. Access the object's properties by using the dot notation or the bracket notation.

Return type

MyDict

Raises

- `TypeError` - If the parameter types are incorrect.
- `MalformedRequest` - If the request body created is invalid.
- `ApiError` - If the DNA Center cloud returns an error.

Refer to the exhibit. Drag and drop the code from the bottom onto the box where the code is missing to return the number of interfaces on a network device by using the Cisco DNA Center SDK. Not all options are used.

```
from dnacentersdk import DNACenterAPI
base_url = 'https://10.9.11.226'
[ ] = 'da4606c3-63ad-4ed4-8f35-6bfec7c2df04'

dnac = [ ](username='cisco', password='secret',
base url=base url, version='1.3.3', verify=False)

[ ] = [item['portName'] for item in
dnac. [ ].get_interface_info_by_id(device_id)['response']]

# Check the number of ports on the device
print(f'The list of interfaces contains {len(port_list)} items.')

# Output
# The list of interfaces contains 54 items.
```

router_id

device_id

DNACenterAPI

DNAC

port_list

routers

devices

Show Suggested Answer



Actual exam question from Cisco's 200-901

Question #: 319

Topic #: 1

[\[All 200-901 Questions\]](#)

What is the purpose of running tests before writing code in test-driven development?

- A. to find unexpected failures in the tests
- B. to demonstrate that the tests fail for expected reasons
- C. to ensure that the tests pass
- D. to provide proof of the work carried out

Show Suggested Answer





Actual exam question from Cisco's 200-901

Question #: 320

Topic #: 1

[\[All 200-901 Questions\]](#)

Which port does HTTPS use by default?

- A. 433
- B. 443
- C. 803
- D. 883

Show Suggested Answer





Actual exam question from Cisco's 200-901

Question #: 321

Topic #: 1

[\[All 200-901 Questions\]](#)

Which HTTP method is used by webhooks and notifies a listener about an event change?

- A. PUT
- B. POST
- C. PATCH
- D. GET

Show Suggested Answer





Actual exam question from Cisco's 200-901

Question #: 322

Topic #: 1

[\[All 200-901 Questions\]](#)

A developer completed the creation of a script using Git. Before delivering it to the customer, the developer wants to be sure about all untracked files, without losing any information. Which command gathers this information?

- A. `git clean -n`
- B. `git rm -f`
- C. `git clean -r`
- D. `git rm *`

Show Suggested Answer



Actual exam question from Cisco's 200-901

Question #: 323

Topic #: 1

[\[All 200-901 Questions\]](#)

A company deploys an application via containers in its local data center. As soon as the application goes into production, it starts to crash at specific hours of the day. After investigation, it is concluded that the crashes are due to too many users accessing the application simultaneously. The spikes must be addressed and allow for future growth without discarding the investment already made. Which deployment model must be used?

- A. hybrid cloud
- B. edge
- C. private cloud
- D. public cloud

Show Suggested Answer





Actual exam question from Cisco's 200-901

Question #: 324

Topic #: 1

[\[All 200-901 Questions\]](#)

Which TCP port is used to connect to a network device by using Telnet?

A. 23

B. 69

C. 400

D. 830

Show Suggested Answer



Actual exam question from Cisco's 200-901

Question #: 325

Topic #: 1

[\[All 200-901 Questions\]](#)

```
1  import requests
2  def main():
3      def getCreds():
4          user = input('User: ')
5          pwd = Getpass('Pass: ')
6          return (user,pwd)
7
8      def login(ipaddr,user,pwd):
9          url = "https://{ipaddr}/api/aaaLogin.json".format(ipaddr=ipaddr)
10         data = '{"aaaUser":{"attributes":{"name":"%(user)s","pwd":"%(pwd)s"}}}'
11         * {"pwd":pwd,"user":user}
12         response = requests.post(url,data=data,verify=False)
13         cookie = response.headers['Set-Cookie']
14         return cookie
15
16     def getstuff(ipaddr,cookie):
17         headers = {"Cookie":cookie}
18         url = "https://{ipaddr}/api/node/class/
19         * fvTenant.json".format(ipaddr=ipaddr)
20         response = requests.get(url,headers=headers,verify=False)
21         grouplist = []
22         for x in response.json()["imdata"]:
23             grouplist.append(x["fvTenant"]["attributes"]["name"])
24         return ','.join(grouplist)
25
26     ipaddr = "192.168.255.2"
27     user,pwd = getCreds()
28     token = login(ipaddr,user,pwd)
29     return getstuff(ipaddr,cookie)
30
31 if __name__ == '__main__':
32     result = main()
33     print(result)
```

Refer to the exhibit. Which action does the script perform?

- A. It queries user credentials from Cisco IOS XE devices.
- B. It retrieves device identification from Cisco DNA Center.
- C. It exports SSID information from Meraki dashboard.
- D. It collects group information from ACI.

Show Suggested Answer



Actual exam question from Cisco's 200-901

Question #: 326

Topic #: 1

[\[All 200-901 Questions\]](#)

What is the purpose of grouping devices in a VLAN?

- A. Devices communicate as if they are connected on the same wire.
- B. Multicast network traffic is limited to the VLAN connected devices.
- C. Unicast messages are limited to the clients connected on the same VLAN.
- D. Network traffic is load balanced between the devices connected to the VLAN.

Show Suggested Answer



Actual exam question from Cisco's 200-901

Question #: 327

Topic #: 1

[\[All 200-901 Questions\]](#)

```
---
param0: Workflow1
param1:
  list:
  - name: VLAN_ID
    value: '198'
param2: 0
```

Refer to the exhibit. The YAML shown contains an object "param0" that is equal to "Workflow1", a second object "param1" that contains an object called "list" which contains an array of two objects, "name" (equal to "VLAN_ID") and "value" (equal to a text value "198"), and finally a third object "param2" that is equal to "0". What is the equivalent message in JSON data format?

```
[
  "param0"="Workflow1";
  "param1"=
    "list"=
      [{"name"="VLAN_ID";
        "value"="198"}]
  "param2"=0
]
```

```
{
  "param0": "Workflow1";
  "param1": {
    "list":
      [
        {"name": "VLAN_ID";
          "value": "198"}
      ]
  },
  "param2": 0
}
```

```
[
  "param0": "Workflow1",
  "param1": {
    "list":
      [
        {"name": "VLAN_ID",
          "value": "198"}
      ]
  },
  "param2": 0
]
```

```
{
  "param0": "Workflow1",
  "param1": {
    "list":
      [
        {"name": "VLAN_ID",
          "value": "198"}
      ]
  },
  "param2": 0
}
```

Show Suggested Answer



Actual exam question from Cisco's 200-901

Question #: 328

Topic #: 1

[\[All 200-901 Questions\]](#)

An engineer prepares a set of Python scripts to interact with network devices. To avoid network performance issues, the engineer wants to run them in a test environment. Which resource must be used to monitor the live execution of code in an always-available environment?

- A. packet tracer
- B. learning labs
- C. sandbox
- D. code exchange

Show Suggested Answer





Actual exam question from Cisco's 200-901

Question #: 329

Topic #: 1

[\[All 200-901 Questions\]](#)

When a Cisco IOS XE networking device is configured by using RESTCONF, what is the default data encoding method?

- A. application/yaml-data+json
- B. application/yang-data+json
- C. application/xml-data+json
- D. application/json-data+xml

Show Suggested Answer



Actual exam question from Cisco's 200-901

Question #: 330

Topic #: 1

[\[All 200-901 Questions\]](#)

```
api_endpoint = f"https://veryusefulapi/v2/authenticate"

headers = {
    "Authorization": "Basic YWRtaW46c3VwZXJzZWNYZXQ="
    "Accept": "application/json"
}

req = requests.get(api_endpoint, headers=headers)
```

Refer to the exhibit. A developer is part of a team that is working on an open-source project in which source code is hosted in a public GitHub repository. While the application was built, security concerns were addressed by encrypting the credentials on the server. After a few months, the developer realized that a hacker managed to gain access to the account. The exhibit contains part of the source code for the login process. Why was the attacker able to access the developer's account?

- A. The encoded credentials were available in the source code.
- B. The application was not encrypting the communication with the server.
- C. The credentials were encrypted in the source code.
- D. An SSL certificate was used instead of the TLS protocol to authenticate.

Show Suggested Answer



Actual exam question from Cisco's 200-901

Question #: 331

Topic #: 1

[\[All 200-901 Questions\]](#)

Which technology is responsible for matching a name to an IP address of an application running on a host?

- A. firewall
- B. proxy
- C. load balancer
- D. DNS

Show Suggested Answer





Actual exam question from Cisco's 200-901

Question #: 332

Topic #: 1

[\[All 200-901 Questions\]](#)

Which network constraint causes the performance of the application to decrease as the number of users accessing the application increases?

- A. latency
- B. loss
- C. bandwidth
- D. jitter

Show Suggested Answer



Actual exam question from Cisco's 200-901

Question #: 333

Topic #: 1

[\[All 200-901 Questions\]](#)

DRAG DROP

POST /vl/meetings

Body Parameters

title
string **Required**
Meeting title. The title can be a maximum of 128 characters long.

agenda
string
Meeting agenda. The agenda can be a maximum of 2500 characters long.

password
string
Meeting password. Must conform to the site's password complexity settings. Read [password management](#) for details. If not specified, a random password conforming to the site's password rules will be generated automatically.

start
string **Required**
Date and time for the start of meeting in any [ISO 8601](#) compliant format. start cannot be before current date and time or after end. Duration between start and end cannot be shorter than 10 minutes or longer than 24 hours.

end
string **Required**
Date and time for the end of meeting in any [ISO 8601](#) compliant format. end cannot be before current date and time or before start. Duration between start and end cannot be shorter than 10 minutes or longer than 24 hours.

Refer to the exhibit. A bespoke meeting booking system must be integrated with Cisco Webex so that meetings are created automatically. Drag and drop the code from the bottom onto the box where the code is missing to create a sample meeting. Not all options are used.

Answer Area

```
import requests, json

[ ] = 'eyJhbGc ... yJbN8'

headers = {
    'Authorization': f'Bearer {token}',
    'Content-Type': 'application/json'
}

payload = {
    "title": "DevNet Webex Discussion",
    "password": "AGrtgl234",
    "start": "2020-11-10T15:00:00Z",
    "end": "2020-11-10T17:00:00Z",
    "enabledAutoRecordMeeting": False,
    "allowAnyUserToBeCoHost": False
}

response = requests.request("[ ]", f'{BASE_URL}/[ ]',
    headers=headers, data=json.dumps([ ]))
print(response.text.encode('utf8'))
```

payload

PUT

token

vl/meeting

vl/meetings

POST

Show Suggested Answer





Actual exam question from Cisco's 200-901

Question #: 334

Topic #: 1

[\[All 200-901 Questions\]](#)

What is a characteristic of Waterfall compared to Agile software development method?

- A. Waterfall focuses on continuous improvement, and Agile focuses on the design phase.
- B. Waterfall separates the project development lifecycle into sprints, and Agile does not use cycles.
- C. Waterfall specifies requirements before development begins, and Agile responds flexibly to changes in requirements.
- D. Waterfall uses reviews with step by step approach, and Agile uses a serially phased approach.

Show Suggested Answer





Actual exam question from Cisco's 200-901

Question #: 335

Topic #: 1

[\[All 200-901 Questions\]](#)

Users cannot access a webserver and after the traffic is captured, the capture tool shows an ICMP packet that reports "time exceeded in-transit". What is the cause of this webserver access issue?

- A. The large distance between the server and the users means that the packets require too much time to reach the destination.
- B. A router along the path is misrouting the packets in a wrong direction.
- C. A router along the path has the wrong time.
- D. The server is overloaded and the connection was not able to be processed in time.

[Show Suggested Answer](#)



Actual exam question from Cisco's 200-901

Question #: 336

Topic #: 1

[\[All 200-901 Questions\]](#)

```

1  --- functions.py  2020-09-26 14:26:25.000000000 -0600
2  +++ new.py 2020-09-26 14:26:10.000000000 -0600
3  @@ -21,7 +21,7 @@
4      def print_devices_info(devices):
5          # Print id, hostname and management IP
6          for item in devices:
7              - print(item['id'], item['hostname'], item['managementIpAddress'])
8              + print(item['id'], item['hostname'])
9
10         # Get Authentication token
11         def get_dnac_jwt_token():
12     @@ -66,9 +66,15 @@
13             response = get_devices_list(headers, {})
14             print_devices_info(response)
15
16         + # print devices list filtered by hostname
17         + print('\nPrinting device list filtered by hostname ...')
18         + query_string_params = {'hostname': 'CSR1Kv-01.devnet.local'}
19         + response = get_devices_list(headers, query_string_params)
20         + print_devices_info(response)
21         +
22         # print devices list filtered by platform Id
23         print('\nPrinting device list filtered by platform id...')
24         - query_string_params = {'platformId': 'C9500-40X'}
25         + query_string_params = {'platformId': 'AIR-AP1141N-A-K9'}
26         response = get_devices_list(headers, query_string_params)
27         print_devices_info(response)

```

Refer to the exhibit. An engineer is comparing two files by using the unified diff format. Which code snippet belongs to the new.py file?

```

77 query_string_params = {'platformId':
'AIR-AP1141N-A-K9'}

```

A.

```

21 print(item['id'], item['hostname'])

```

B.

```

24 print(item['id'], item['hostname'],
item['managementIpAddress'])

```

C.

```

66 # print devices list filtered by
hostname
67 print('\nPrinting device list
filtered by hostname ...')

```

D.

```

68 query_string_params = {'hostname':
'CSR1Kv-01.devnet.local'}
69 response = get_devices_list
(headers, query_string_params)
70 print_devices_info(response)

```

Actual exam question from Cisco's 200-901

Question #: 337

Topic #: 1

[\[All 200-901 Questions\]](#)

DRAG DROP

Devices

→ **Get Device Count**
GET /network-device/count

→ **Get Device List**
GET /network-device

→ **Get Device by ID**
GET /network-device/{device_id}

→ **Get Device by Serial**
GET /network-device/serial-number/{serial_number}

- POST /dna/system/api/v1/auth/token
- GET /dna/intent/api/v1/network-device/count
- GET /dna/intent/api/v1/network-device
- GET /dna/intent/api/v1/network-device/<device_id>

Refer to the exhibit. Drag and drop the code from the bottom onto the box where the code is missing to construct a request that generates a security token and gets a list of network devices. Not all options are used.

Answer Area

```
import json, requests, urllib3
from requests.auth import HTTPBasicAuth
from config import host, username, password

headers = { 'content-type': "application/json", 'x-auth-token': "" }
def dna_api_auth(host, username, password):
    url = "https://{}/api/system/v1/auth/token".format(host)
    response = .post(url, auth=HTTPBasicAuth(username, password),
        headers=headers, verify=False)
    return response.json()["Token"]

def list_dna_devices(token):
    url = "https://{}/api/v1/network-device".format(host)
    headers["x-auth-token"] = token
    response = requests.get(url, headers=headers, verify=False)
    data = .json()
    for item in data['response']:
        print(item["hostname"])

token =  (host, username, password)
 (token)
```


Show Suggested Answer

Actual exam question from Cisco's 200-901

Question #: 338

Topic #: 1

[\[All 200-901 Questions\]](#)

```
#!/bin/bash
apt-get update
apt-get -y install git
cd Code/Network_Config
mkdir PRODUCTION
cd PRODUCTION
touch state.yml
vi state.yml
```

Refer to the exhibit. A network engineer executes the bash script shown. Which two things are achieved by running the script? (Choose two.)

- A. A directory called PRODUCTION is created.
- B. The engineer changes to the parent directory.
- C. A YAML file is created.
- D. A YAML file is removed.
- E. A directory called state.yml is created.

Show Suggested Answer

Actual exam question from Cisco's 200-901

Question #: 339

Topic #: 1

[\[All 200-901 Questions\]](#)

DRAG DROP

Drag and drop the code from the bottom onto the box where the code is missing to construct a Python script that calls a REST API request. The Python script retrieves a list of tasks from a to-do list for effective project management purposes. Not all options are used.

Answer Area

```
import requests

response =  .get('https://todolist.example.com/tasks/')

if  .status_code != 200:
    raise ApiError('GET /tasks/ {}'.format(response.  ))

for item in response.json():
    print('{} {}'.format(item['id'],  ['summary']))
```

item

response

requests

get()

status_code

status

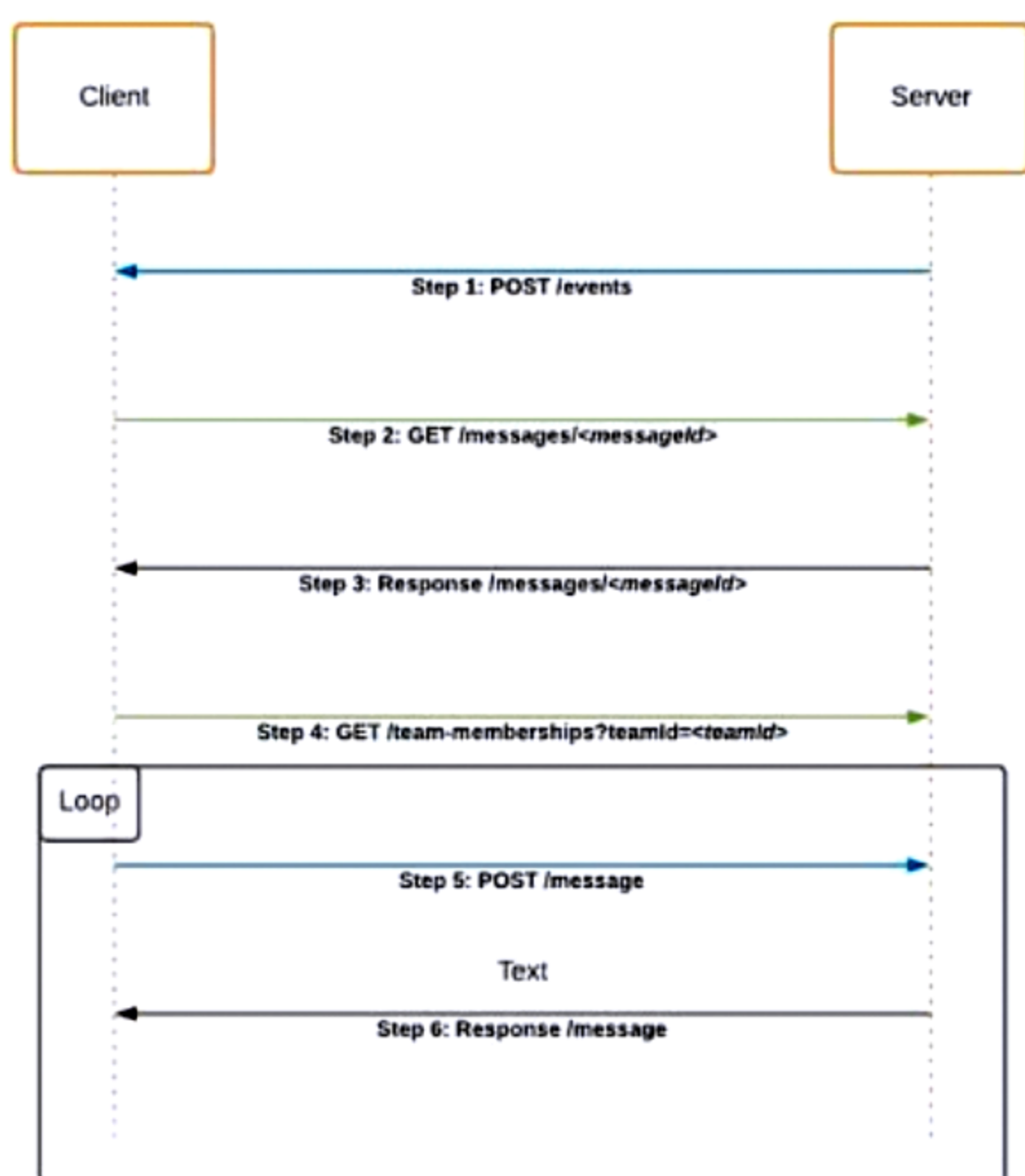
Show Suggested Answer

Actual exam question from Cisco's 200-901

Question #: 340

Topic #: 1

[\[All 200-901 Questions\]](#)



Refer to the exhibit. Which code snippet represents the sequence.

```

@flask_app.route('/events', methods=['POST'])
def webex_teams_webhook_events():
    json_data = request.json['data']
    response = requests.get(MESSAGE_URL +
    json_data['id'], headers=headers)
    if response.json()['text'] == 'Alert':
A.     response = requests.get(Team_MEMBERSHIPS_URL,
    headers=headers, params=params)
        for info in response.json()['items']:
            data = {'personId': info['personId'], 'text':
            'Alert'}
            response = requests.post(MESSAGES_URL,
            headers=headers, params=params)

@flask_app.route('/events', methods=['POST'])
def webex_teams_webhook_events():
    json_data = request.json['data']
    if response.json()['text'] == 'Alert':
B.     response = requests.get(Team_MEMBERSHIPS_URL,
    headers=headers, params=params)
        for info in response.json()['items']:
            data = {'personId': info['personId'],
            'text': 'Alert'}
            response = requests.post(MESSAGES_URL,
            headers=headers, params=params)

@flask_app.route('/events', methods=['POST'])
def webex_teams_webhook_events():
    json_data = request.json['data']
    response = requests.post(MESSAGE_URL +
    json_data['id'], headers=headers)
    if response.json()['text'] == 'Alert':
C.     for info in response.json()['items']:
        response = requests.get(Team_MEMBERSHIPS_URL,
        headers=headers, params=params)
            data = {'personId': info['personId'], 'text':
            'Alert'}
            response = requests.get(MESSAGES_URL,
            headers=headers, params=params)

@flask_app.route('/events', methods=['POST'])
def webex_teams_webhook_events():
    json_data = request.json['data']
    response = requests.get(Team_MEMBERSHIPS_URL,
    headers=headers, params=params)
    if response.json()['text'] == 'Alert':
D.     response = requests.get(MESSAGE_URL +
    json_data['id'], headers=headers)
        for info in response.json()['items']:
            data = {'personId': info['personId'], 'text':
            'Alert'}
            response = requests.post(MESSAGES_URL,
            headers=headers, params=params)
    
```



Actual exam question from Cisco's 200-901

Question #: 341

Topic #: 1

[\[All 200-901 Questions\]](#)

A developer attempts to refactor and improve the application code. It is noticed that the code contains several pieces of key information that could be a security threat if this code is accessible by those who are not authorized to this data. Which approach addresses the security concerns noticed by the developer?

- A. Host the application code on a machine located in a secure data center.
- B. Utilize environment variables for username and password details.
- C. Rely on the security teams' goodwill to not give access to those who do not need it.
- D. Move the hardware that the application is deployed on to a secure location.

Show Suggested Answer



Actual exam question from Cisco's 200-901

Question #: 342

Topic #: 1

[\[All 200-901 Questions\]](#)

DRAG DROP

CISCO SECURITY APIS

Introduction

- API Workflow
 - GET 1.) Find all events where Malwar...
 - GET 2.) Find Endpoint Details for Rem...
 - PUT 3.) Nuke the Endpoint to Prevent...
 - GET 4.) Find samples in Threat Grid
 - GET 5.) Get all sample domains to an...
 - POST 6.) Check all domains against Inv...
 - GET 7.) For suspect domains get mor...
 - POST 8.) Enforce on bad Domains in U...
 - GET 9.) Research other Ransomware ...
 - POST Generate Authentication Token ...
 - POST 10.) Add custom intelligence Fee...
- NGFW
 - POST Generate Authentication Token
 - GET Access Policies
 - GET Access Rules
 - GET Access Rule Details
 - POST New Access Rule in Policy
 - POST New Bulk Access Rule in Policy

Cisco Security APIs

The main goal of this collection to help the developer understand the various API capabilities of Cisco NGFW, Malware Protection, Threat Grid, ISE and Umbrella. It will cover useful API features for each of the products and how to properly use them. Simple workflow is also included in the collection to *Collect* all the characteristics/signatures of the possible attack using AMP. *Validate* the collected intelligence with Threat Grid and Umbrella. *Deploy* the intelligence to the NGFW, Umbrella and ISE to protect and contain the threat.

API Workflow

GET 1.) Find all events where Malware Executed

https://:amp.dcloud.cisco.com/v1/events?connector_guid[]=&event_type[]=1107296272

Get a listing of all the events for a specific computer when the quarantine failed

PARAMS

Refer to the exhibit. Drag and drop the code from the bottom onto the box where the code is missing to construct a Python script that calls a REST API request. Not all options are used.

Answer Area

```
import requests

[ ] = "https://fmc-hostname/api/fmc_tid/v1/domain//tid/source"

payload = {
    "name": "Threat Grid Ransomware DNS",
    "delivery": "url",
    "uri": "https://panacea.threatgrid.com/api/v3/feeds"+
    "/ransomware-dns 2017-12-08.stix?api_key=",
    "refresh": 1440,
    "version": "1.0.0",
    "params": {
        "selfSignedServerCertificate": "true",
        "hostnameVerifier": "allow_all"
    },
    "property": {
        "ttl": 90,
        "publish": true,
        "action": "monitor"
    }
}

headers = {
    'X-auth-access-token': 'access_token', ' [ ] ': 'application/json'
}

response = requests. [ ] ("POST", url,
    headers=headers, data = [ ] )
print(response.text.encode('utf8'))
```

url

Encoding

base_url

Content-Type

post

request

payload

Show Suggested Answer



Actual exam question from Cisco's 200-901

Question #: 343

Topic #: 1

[\[All 200-901 Questions\]](#)

Which tool provides a testing environment to run tests on network devices and perform network automation scenarios?

- A. Visual Studio Code
- B. Cisco VIRL
- C. pyATS
- D. Cisco Packet Tracer

Show Suggested Answer





Actual exam question from Cisco's 200-901

Question #: 344

Topic #: 1

[\[All 200-901 Questions\]](#)

A developer writes an application that refines data in temporary secure file storage hosted on the public cloud. Data will be deleted after processing and does not contain any private information. What is the advantage that a public cloud deployment provides to the developer?

- A. high security with encryption
- B. ease in infrastructure management
- C. flexible development
- D. bespoke services

Show Suggested Answer



Actual exam question from Cisco's 200-901

Question #: 345

Topic #: 1

[\[All 200-901 Questions\]](#)

DRAG DROP

Object Lookup

Use the `MoDirectory.lookupByDn` to look up an object within the MIT object tree by its distinguished name (DN). This example looks for an object called 'uni':

```
uniMo = moDir.lookupByDn('uni')
```

A successful lookup operation returns a reference to the object that has the specified DN.

You can also look up an object by class. This example returns a list of all objects of the class 'polUni':

```
uniMo = moDir.lookupByClass('polUni')
```

You can add a filter to a lookup to find specific objects. This example returns an object of class 'fvTenant' whose name is 'Tenant1':

```
tenant1Mo = moDir.lookupByClass("fvTenant", propFilter='and(eq(fvTenant.name, "Tenant1"))')
```

Refer to the exhibit. Drag and drop the code from the bottom onto the box where the code is missing to add a subnet to each bridge domain in the Ten1 tenant. Not all options are used.

Answer Area

```
from cobra.model import fv
from cobra.mit.request import ClassQuery, DnQuery
import cobra.mit.access
import cobra.mit.session

tenname = "Ten1"
ls = cobra.mit.session.LoginSession(
    'https://10.100.1.200', "admin", "Lab123!3")

aci = cobra.mit.access.MoDirectory(ls)
aci.login()
c = cobra.mit.request.ConfigRequest()

qry1 =  (f'uni/tn-{tenname}')
fvTenant = aci.query(qry1)[0]

qry2 =  ("fvBD")
qry2.propFilter = f'and(wcard(fvBD.dn, "{fvTenant.dn}") )'
fvBDs = aci.query(qry2)

i=0
for fvBD in fvBDs:
    fvsubnet = cobra.model.fv.Subnet(  , ip=f'10.114.{i}.1/24')
    c.addMo(fvBD)
    aci.  (c)
    i+=
```


Show Suggested Answer



Actual exam question from Cisco's 200-901

Question #: 346

Topic #: 1

[\[All 200-901 Questions\]](#)

```
workstation:Network admin$ ls
PROD TEST
workstation:Network admin$ ls ./TEST
config.txt
workstation:Network admin$
```

Refer to the exhibit. A network engineer must copy the "config.txt" file from directory TEST to directory PROD. The copied file must also be renamed into "current.txt". Which command must be used to accomplish these tasks?

- A. cp ./PROD/current.txt ./TEST/config.txt
- B. cp ./TESTi/current.txt ./PROD/config.txt
- C. cp ./PROD/config.txt ./TEST/current.txt
- D. cp ./TEST/config.txt ./PROD/current.txt

Show Suggested Answer



Actual exam question from Cisco's 200-901

Question #: 347

Topic #: 1

[\[All 200-901 Questions\]](#)

What is a benefit of using model-driven programmability for infrastructure automation?

- A. connected user tracking
- B. infrastructure resource optimization
- C. multiple device control protocols
- D. device performance monitoring

Show Suggested Answer





Actual exam question from Cisco's 200-901

Question #: 348

Topic #: 1

[\[All 200-901 Questions\]](#)

What is the function of an Ethernet switch in a networking environment?

- A. to switch a frame from one port to another port based on IP address
- B. to switch a frame from one port to another port based on MAC address
- C. to provide IP addressing to connected hosts
- D. to block unwanted traffic

Show Suggested Answer



Actual exam question from Cisco's 200-901

Question #: 349

Topic #: 1

[\[All 200-901 Questions\]](#)

DRAG DROP

Drag and drop characteristics from the left onto the infrastructure management methodologies on the right.

Answer Area

exposes RESTCONF as Northbound API

uses REST as Northbound API

supported by standards such as YANG models

integrates to ITSM tools using Westbound APIs

Device Level

Controller Level

Show Suggested Answer



Actual exam question from Cisco's 200-901

Question #: 350

Topic #: 1

[\[All 200-901 Questions\]](#)

```
1  - hosts: nxos_rtr
2  gather_facts: false
3  tasks:
4  - nxos_hsrp:
5      group: "{{ item.group }}"
6      vip: "{{ item.vip }}"
7      priority: 115
8      interface: "{{ item.interface }}"
9      preempt: enabled
10     auth_type: md5
11     auth_string: "s3cuR3"
12     version: 2
13     host: "{{ hostvars['rtr-1a']['ansible_ssh_host'] }}"
14     with_items:
15         - "{{ hsrp_groups }}"
16     delegate_to: "{{ hostvars['srv-1a']['ansible_ssh_host'] }}"
```

Refer to the exhibit. An engineer runs a network that consists of Cisco Nexus devices. The network is distributed between data centers in different locations. The switches are configured using standalone connections and a single point of failure. Which process is being automated by the Ansible playbook?

- A. enabling HSRP on the nxos_rtr inventory host
- B. enabling HSRP on the rtr-1a inventory host
- C. executing HSRP configuration from the Ansible controller node
- D. executing HSRP configuration from the srv-1a inventory host

Show Suggested Answer

Actual exam question from Cisco's 200-901

Question #: 351

Topic #: 1

[\[All 200-901 Questions\]](#)

```
import requests
from requests.auth import HTTPBasicAuth

user= "user"
password= "PASSWORD"

token=requests.post('https://<DNAC ADDRESS>/dna/system/api/v1/auth/token',
```

Refer to the exhibit. A developer must use a token to collect data from Cisco DNA Center API and prepares a Python script to send requests. Which line of code needs to be placed on the snippet where the code is missing to obtain a token from the Cisco DNA Center API?

- A. token=BasicAuth('user','password')
- B. auth=BasicAuth('user','password')
- C. auth=HTTPBasicAuth(user,password)
- D. token=HTTPBasicAuth(user,password)

Show Suggested Answer



Actual exam question from Cisco's 200-901

Question #: 352

Topic #: 1

[\[All 200-901 Questions\]](#)

To which stage of development do Infrastructure as Code principles relate?

- A. manual configuration
- B. service provisioning
- C. physical deployment
- D. requirement collection

Show Suggested Answer

